

www.airproductsequip.com

1555 Louis Ave

Elk Grove Village IL, 60007

(847) 437-5952



Variable Frequency Drives

Franklin Electric Q-Link

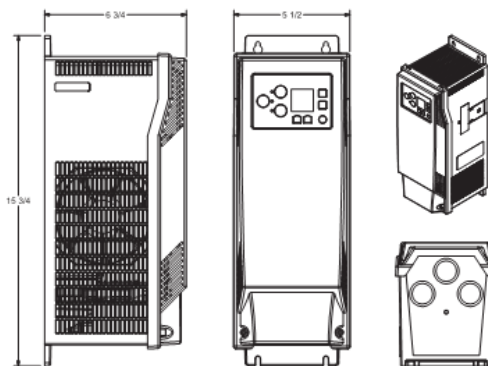
STANDALONE Q-LINK:

STANDARD FEATURES:

- SIMPLE AND INTUITIVE DISPLAY
- DESIGNATED HOA BUTTONS
- NATIVE BACNET AND MODBUS COMMUNICATIONS
- PROPRIETARY HARMONIC MITIGATION ALGORITHM
- BUILT IN DAMPER CONTROL

Q-LINK COMPANION APP

- GUIDED STARTUP
- IN-APP TROUBLESHOOTING
- AUTOMATIC COMMISSIONING REPORT GENERATION
- SEQUENTIAL APP SUPPORT
- OVER THE AIR FIRMWARE UPDATES
- REMOTE PROGRAMMING



QLink Characteristics

APEC Stock Model	Maximum Horsepower			FLA	Dimensions	
	Standalone	208V/3Φ	230V/3Φ			480/3Φ
CER-QLNK-003-DV		1/2	1/2	1-1/2	3	15.75" x 6.75" x 5.5"
CER-QLNK-005-DV		1	1	3	5	15.75" x 6.75" x 5.5"
CER-QLNK-009-DV		2	2	5	9	15.75" x 6.75" x 5.5"
CER-QLNK-012-DV		3	3	7-1/2	12	15.75" x 6.75" x 5.5"
CER-QLNK-017-DV		5	5	10	17	15.75" x 6.75" x 5.5"
CER-QLNK-024-DV		5	7-1/2	15	24	15.75" x 6.75" x 5.5"
CER-QLNK-028-DV		7-1/2	10	20	28	15.75" x 6.75" x 5.5"

www.airproductsequip.com

1555 Louis Ave

Elk Grove Village IL, 60007

(847) 437-5952



Variable Frequency Drives

Franklin Electric Q-Link

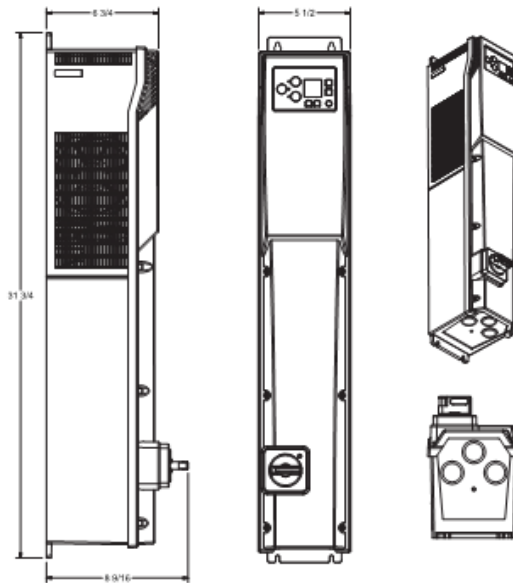
Q-LINK WITH DISCONNECT:

STANDARD FEATURES:

- SIMPLE AND INTUITIVE DISPLAY
- DESIGNATED HOA BUTTONS
- NATIVE BACNET AND MODBUS COMMUNICATIONS
- PROPRIETARY HARMONIC MITIGATION ALGORITHM
- BUILT IN DAMPER CONTROL

Q-LINK COMPANION APP

- GUIDED STARTUP
- IN-APP TROUBLESHOOTING
- AUTOMATIC COMMISSIONING REPORT GENERATION
- SEQUENTIAL APP SUPPORT
- OVER THE AIR FIRMWARE UPDATES
- REMOTE PROGRAMMING



QLink with Disconnect Characteristics

APEC Stock Model Number With Disconnect	Maximum Horsepower			Dimensions
	208V/3Φ	230V/3Φ	480/3Φ	
CER-QLNK1-DISC003-DV	1/2	1/2	1	31.75" x 5.5" x 6.75"
CER-QLNK1-DISC005-DV	3/4	3/4	2	31.75" x 5.5" x 6.75"
CER-QLNK1-DISC009-DV	2	2	5	31.75" x 5.5" x 6.75"
CER-QLNK1-DISC012-DV	2	3	5	31.75" x 5.5" x 6.75"
CER-QLNK1-DISC017-DV	3	5	10	31.75" x 5.5" x 6.75"
CER-QLNK1-DISC024-DV	5	7-1/2	15	31.75" x 5.5" x 6.75"
CER-QLNK1-DISC028-DV	7-1/2	10	20	31.75" x 5.5" x 6.75"

www.airproductsequip.com

1555 Louis Ave

Elk Grove Village IL, 60007

(847) 437-5952



Variable Frequency Drives

Franklin Electric Q-Link

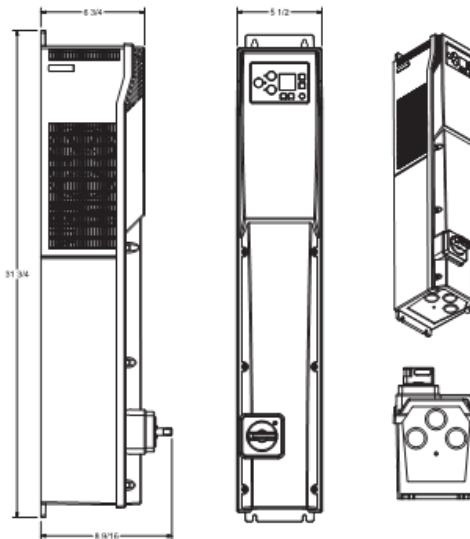
Q-LINK WITH BYPASS:

STANDARD FEATURES:

- SIMPLE AND INTUITIVE DISPLAY
- DESIGNATED HOA BUTTONS
- NATIVE BACNET AND MODBUS COMMUNICATIONS
- PROPRIETARY HARMONIC MITIGATION ALGORITHM
- BUILT IN DAMPER CONTROL

Q-LINK COMPANION APP

- GUIDED STARTUP
- IN-APP TROUBLESHOOTING
- AUTOMATIC COMMISSIONING REPORT GENERATION
- SEQUENTIAL APP SUPPORT
- OVER THE AIR FIRMWARE UPDATES
- REMOTE PROGRAMMING



QLink with Disconnect Characteristics

APEC Stock Model Number With Bypass	Maximum Horsepower			Dimensions
	208V/3Φ	230V/3Φ	480/3Φ	
CER-QLNK1-BYP003-DV	1/2	1/2	1	31.75" x 5.5" x 6.75"
CER-QLNK1-BYP005-DV	3/4	3/4	2	31.75" x 5.5" x 6.75"
CER-QLNK1-BYP009-DV	2	2	5	31.75" x 5.5" x 6.75"
CER-QLNK1-BYP012-DV	2	3	5	31.75" x 5.5" x 6.75"
CER-QLNK1-BYP017-DV	3	5	10	31.75" x 5.5" x 6.75"
CER-QLNK1-BYP024-DV	5	7-1/2	15	31.75" x 5.5" x 6.75"
CER-QLNK1-BYP028-DV	7-1/2	10	20	31.75" x 5.5" x 6.75"