

www.airproductsequip.com

1555 Louis Ave

Elk Grove Village IL, 60007

(847) 437-5952



Single Phase Motor Starters

Franklin Electric BAS-1P

STANDARD FEATURES:

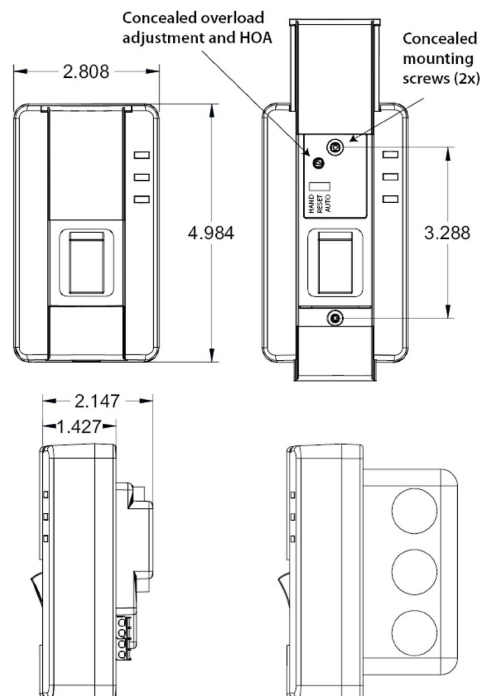
- ON/OFF DISCONNECT SWITCH
- CONCEALED HAND/OFF/AUTO MODE SWITCH
- FAULT AND STATUS OUTPUT RELAYS
- VOLTAGE AUTO RUN INPUT RELAY
- CLASS 10, 115% OF FLA OVERLOAD TRIP PROTECTION



BAS-1P Characteristics

APEC Part Number	Input Voltage	Input Phase	Max.	Max. Amps
CERBAS-1P	115-240 VAC	1Φ	1 HP	16 A

PHYSICAL DIMENSIONS:



WIRING DIAGRAM:

