

www.airproductsequip.com

1555 Louis Ave

Elk Grove Village IL, 60007

(847) 437-5952



Single Duct Variable Air Volume Terminal Units

PESV - PNEUMATIC - Titus II Controller Included

AESV - ANALOG ELECTRIC - TA-1 Controller Included

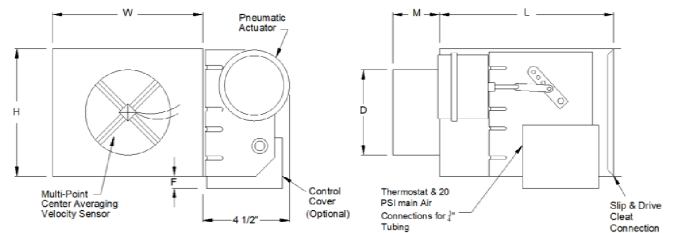
DESV - DIRECT DIGITAL - Controller Available Separately

STANDARD CONSTRUCTION:

- STANDARD BOXES INCLUDE ECOSHIELD LINING, A SUSTAINABLE PRODUCT COMPRISED OF RECYCLED DENIM. ECOSHIELD ALSO INCLUDES AN ANTI-MICROBIAL MOLD AND FUNGAL INHIBITOR
- STERILOC LINER ALSO AVAILABLE, A FOIL-FACE RIGID DUCT BOARD LINER
- REGULAR DISCHARGE OPENING IS DESIGNED FOR SLIP-AND-DRIVE CLEAT CONNECTIONS
- ALL BOXES INCLUDE MULTIPOINT CENTER AVERAGING INLET VELOCITY SENSOR



PESV Construction

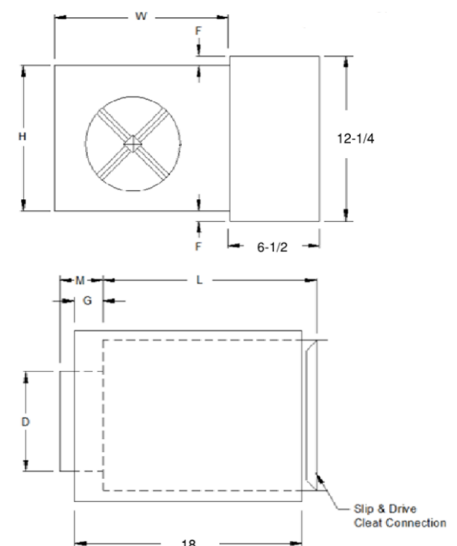


APEC Stock Part Number			
PESV	AESV	DESV	
		Standard Liner	Steriloc Liner
PESV-06	AESV-06	DESV-06	DESV-06-STER
PESV-08	AESV-08	DESV-08	DESV-08-STER
PESV-10	AESV-10	DESV-10	DESV-10-STER
PESV-12	AESV-12	DESV-12	DESV-12-STER
PESV-14	AESV-14	DESV-14	DESV-14-STER
PESV-16	AESV-16	DESV-16	DESV-16-STER
		DESV-24x16	

Model Nomenclature: ESV - [Inlet Size] - [STER = Steriloc Lining]

Dimensional Data							
Inlet Size	CFM Max.	D	F	H	L	M	W
6	500	5-7/8	2-1/8	8	15-1/2	3-3/8	12
8	900	7-7/8	1-1/8	10	15-1/2	3-3/8	12
10	1400	9-7/8	-	12-1/2	15-1/2	3-3/8	14
12	2000	11-7/8	-	15	15-1/2	3-3/8	16
14	3000	13-7/8	-	17-1/2	15-1/2	3-3/8	20
16	4000	15-7/8	-	18	15-1/2	3-3/8	24
24x16	8000	23-7/8 x 15-7/8	1-1/8	18	15	3-3/8	38

AESV & DESV Construction



www.airproductsequip.com

1555 Louis Ave

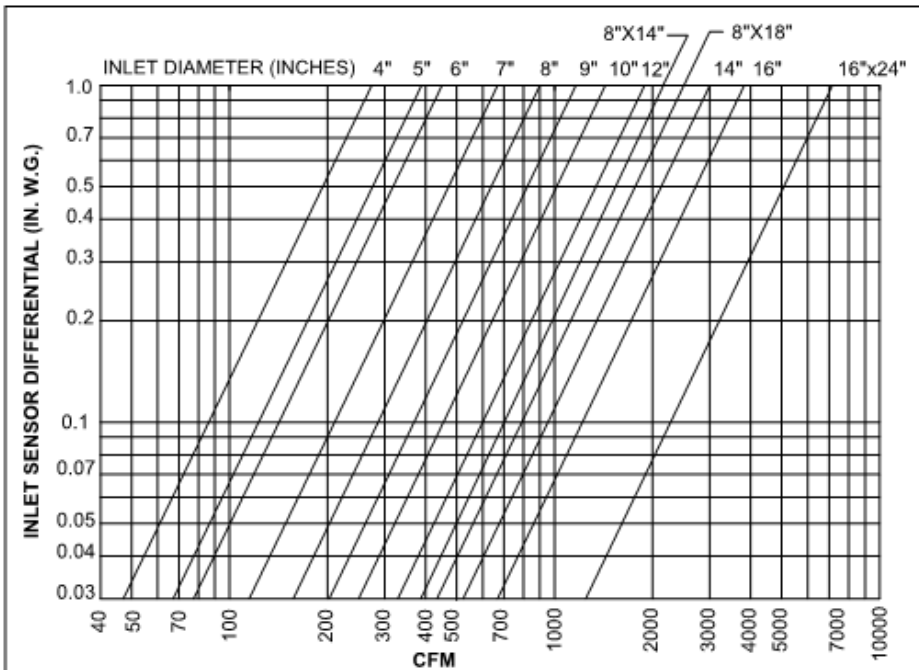
Elk Grove Village IL, 60007

(847) 437-5952



Single Duct Terminal Unit Balancing Information

AEROCROSS SENSOR CALIBRATION CURVES:



AeroCross K-Factors

Terminal Size	K-Factor	Inlet Duct Area [Sq. Ft]
04	273	.087
05	390	0.136
06	448	0.196
07	667	0.267
08	904	0.349
09	1167	0.442
10	1436	0.545
12	1891	0.785
14	3015	1.069
16	3839	1.395
8x14	2106	0.778
8x18	2498	0.778
40 (16x24)	7176	2.667

EQUATIONS:

$$CFM = K \sqrt{\Delta P} \quad \Delta P = \left(\frac{CFM}{K}\right)^2$$

Where:

ΔP = Differential pressure on AeroCross, [inches water gauge]

K = Flow required to produce a 1.0 inch water gauge differential pressure on AeroCross, [cubic feet per minute]

For more information: Please visit the Titus website or call an Air Products representative