

www.airproductsequip.com

1555 Louis Ave

Elk Grove Village IL, 60007

(847) 437-5952

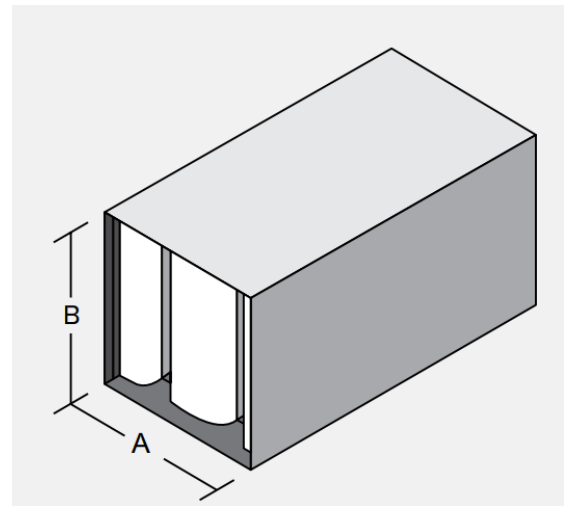


# Rectangular No-Media Silencers

## Vibro-Acoustics RNM

**STANDARD CONSTRUCTION:**

- DESIGNED FOR DISCHARGE ON VAV BOXES, OR ANYWHERE HIGH SOUND LEVELS ARE UNDESIRABLE
- 1" SLIP AND DRIVE CONNECTIONS ON BOTH ENDS
- GALVANIZED, LOCKFORMED CASING FOR SMACNA STANDARDS
- NO ACOUSTICAL MEDIA
- RECOMMENDED FOR ±1250 FPM OR LESS



**APEC Part Numbers**

VAV Inlet Size	CFM Range	APEC Part Number	A	B	Length
6	0-500	RNM-MV-F5-06	12	8	36
8	0-900	RNM-MV-F5-08	12	10	36
10	0-1400	RNM-MV-F5-10	14	12-1/2	36
12	0-2000	RNM-MV-F5-12	16	15	36
14	0-3000	RNM-MV-F5-14	20	17-1/2	36

**Pressure Drop (in. w.g.)**

Length (in.)	Face Velocity (ft. per minute)						
	500	750	1000	1250	1500	1750	2000
36	0.04	0.08	0.15	0.24	0.34	0.46	0.60

**Insertion Loss**

Length (in.)	Face Velocity (ft. per min)	Octave Band - Hz/Dynamic Insertion Loss (dB)							
		63	125	250	500	1000	2000	4000	8000
36	-1250	3	5	17	16	12	10	9	10
	0	1	4	12	11	9	9	8	8
	+1250	3	5	15	15	10	9	8	6