

www.airproductsequip.com

1555 Louis Ave

Elk Grove Village IL, 60007

(847) 437-5952



# Square Fire Dampers Style B

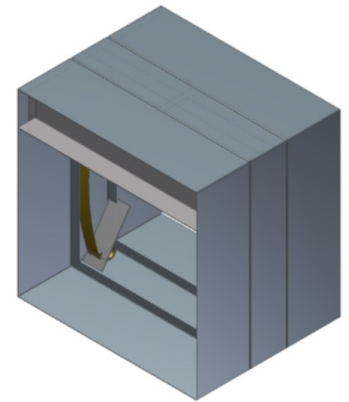
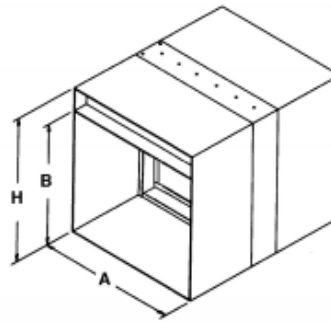
## Ruskin DIBD20

### **FIRE DAMPERS, 1-1/2 HOUR RATED:**

TO BE USED IN VERTICAL OR HORIZONTAL APPLICATIONS

#### **APPLICATION**

Ruskin Model DIBD20, 40, & 60 are 1½ hour UL classified dynamic (fans on) or static (fans off) curtain style fire dampers for use in HVAC systems that remain in operation during a fire. Fire dampers are used for the protection of openings in walls, partitions, or masonry floors with fire resistance ratings of less than 3 hours and shall have a 1½ hour fire protection rating. The DIBD20,40 & 60 can be installed vertically in walls or horizontally in masonry floors and is rated for airflow in either direction.



#### **DYNAMIC CLOSURE RATINGS**

4000 fpm (20.3 m/s) vertical mount only, up to 24" x 24" (610 x 610).

3000 fpm (15.2 m/s) vertical and horizontal mount, up to 24" x 24" (610 x 610).

2000 fpm (10.2 m/s) vertical or horizontal mount on all sizes.

4 in. w.g. (1 kPa) maximum pressure on all sizes.

<b>Dimensional Data</b>		
Damper Height "B"	Dim. "X"	Sleeve Length
6"	1-½"	12"
8"	2"	12"
10"	2"	12"
12"	2"	12"
20"	3"	12"
24"	3-½"	12"

#### **STANDARD CONSTRUCTION**

##### **Frame and Blades Material**

Galvanized steel or stainless steel (in gauges required by UL listing R-5531).

##### **Closure Springs**

301 stainless steel constant force or spring clip type.

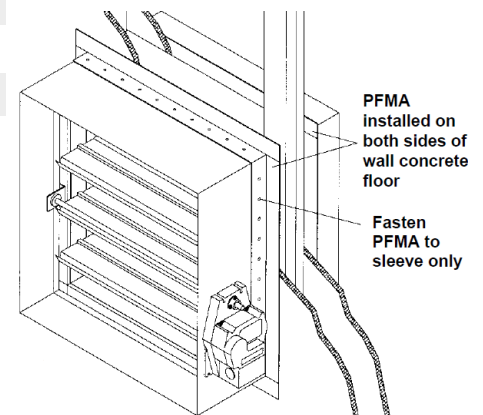
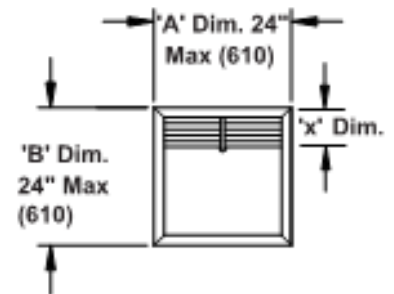
Note: Vertical units 24" x 24" (610 x 610) and smaller utilize spring clips only and do not have constant force springs.

##### **Fusible Link**

165°F (74°C) is standard. 212°F (100°C) and 285°F (141°C) are available option.

##### **PFMA**

**ONE PIECE ANGLES, FASTENED TOGETHER AT CORNERS AND WITH PRE-PUNCHED SLEEVE FASTENER HOLES. MAKES INSTALLATION EASIER AND FASTER.**



#### **APEC Stock Part Number**

DIBD20-06X06	DIBD20-12X10	DIBD20-16X12	DIBD20-20X12	DIBD20-24X12
DIBD20-08X08	DIBD20-12X12	DIBD20-16X16	DIBD20-20X20	DIBD20-24X20
DIBD20-12X06	DIBD20-16X08	DIBD20-20X10	DIBD20-24X10	DIBD20-24X24
DIBD20-12X08	DIBD20-16X10			

**Model Nomenclature: DIBD20 - [WIDTH] x [HEIGHT]**

www.airproductsequip.com

1555 Louis Ave

Elk Grove Village IL, 60007

(847) 437-5952



# Round Fire Dampers

## Ruskin FDR25

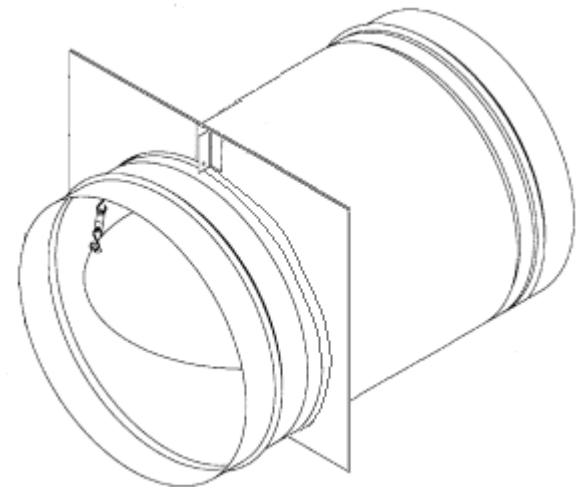
### ROUND FIRE DAMPERS, 1-1/2 HOUR RATED:

TO BE USED IN VERTICAL OR HORIZONTAL APPLICATIONS

#### APPLICATION

Ruskin FDR25 is a true round fire damper designed for use in fire rated walls and floors and is the perfect choice when using round duct.

The FDR25 is rated for maximum velocity of 2,000 fpm (10.2 m/s) and 4" w.g. (1 kPa). The integral frame and unique "cinch plate" design provides a low cost, high performing damper. When the FDR25 reaches a job site nothing else is required in order to install the damper. The FDR25 now has UL approval for plate on one-side of metal stud or concrete walls.

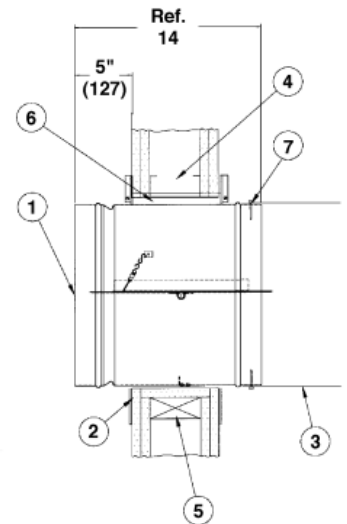


STANDARD CONSTRUCTION	
Description	SDRS25
<b>Frame/Sleeve</b>	20 gauge (.9) galvanized steel, standard 14" (356) integral sleeve and retaining "cinch" plates.
<b>Blades</b>	Single skin 14 gauge (1.9) equivalent thickness galvanized steel.
<b>Bearings</b>	Stainless steel sleeve, pressed into frame.
<b>Axle</b>	1/2" (13) diameter.
<b>Fuse Link</b>	165°F (74°C) is standard. 212°F (100°C) or 285°F (141°C) available at additional cost.

MAXIMUM OPERATIONAL RATINGS	
Description	FDR25
<b>UL555 Hourly Rating</b>	1 1/2 Hours
<b>Maximum Velocity</b>	2000 FPM (10.2 m/s)
<b>Maximum Pressure</b>	4 in. wg (1kPa)

#### ITEM DESCRIPTION

1. FDR25 Round Fire/Smoke Damper
2. Retaining "Cinch" Plate, 20 ga. steel (only one plate is required on metal stud walls, and two plates are required on wood stud walls).
3. Duct
4. Metal Stud Wall (plate required on only one side)
5. Wood Stud Wall (plate required on both sides)
6. Expansion Gap
7. Duct/Sleeve Connection
8. #10 Sheet Metal Screw (refer to section 4 for fastener requirements).



APEC Stock Part Number	
FDR-06	FDR-12
FDR-08	FDR-14
FDR-10	FDR-16
All sizes come with retaining plate	

Minimum Sleeve Length									
<b>Wall/Floor Thickness</b>	4"	5"	6"	7"	8"	9"	10"	12"	12.01" - 24"
<b>Min. Sleeve Length</b>	14"	14"	14"	17"	17"	17"	20"	20"	20" plus 1" for every inch of wall/floor depth
*All stock FDR25 dampers come with 14" sleeves. Other lengths available from factory*									

www.airproductsequip.com

1555 Louis Ave

Elk Grove Village IL, 60007

(847) 437-5952

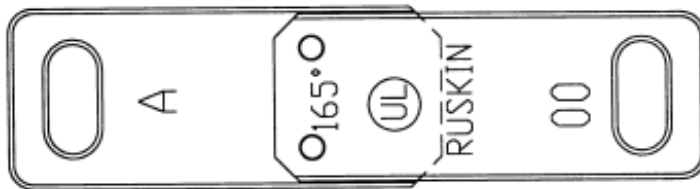


## Fire Damper Fuse Links

### FUSE LINKS:

- STYLE A, STYLE B, STYLE E, STYLE J AVAILABLE
- MUST SPECIFY 165° OR 212° AT TIME OF ORDER

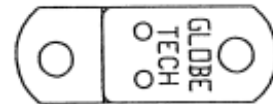
**Issue A Link**  
All (D)IBD Curtain Type Fire Dampers  
Excluding IBDT Series



**Issue B Link**  
For IBDT Curtain Type Fire Dampers  
For FDR25 Round Fire Dampers  
Also may be used as a replacement  
on CFD Ceiling Fire Dampers



**J Link**  
All CFD Ceiling Fire Dampers  
All PFL's (Pneumatic Fuse Links)



**Issue E Link**  
FD35 and FD36  
Multiple Blade Fire Dampers

