

www.airproductsequip.com

1555 Louis Ave

Elk Grove Village IL, 60007

(847) 437-5952



Square & Round Access Doors Ruskin ADF & ADR

STANDARD CONSTRUCTION:

DOOR: 16 GAUGE GALVANIZED STEEL

KNOB: SYNTHETIC KNOB WITH THREADED METAL INSERTS

SEAL: 1/2" X 3/8" NEOPRENE GASKETS

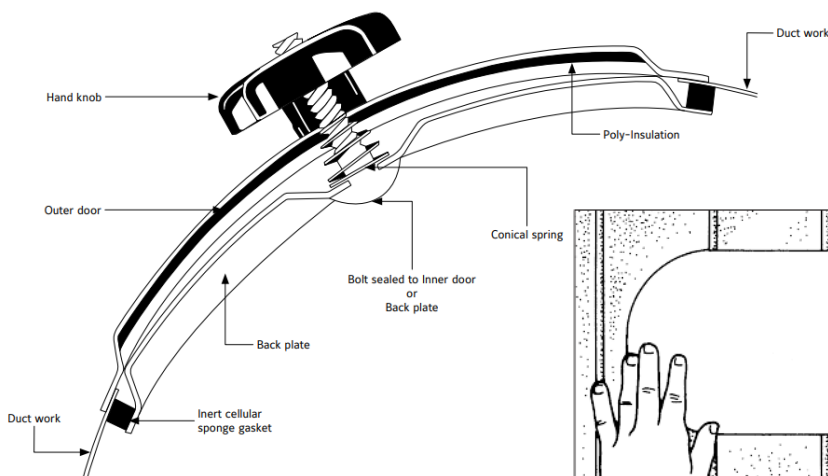
FINISH: MILL GALVANIZED

PERFORMANCE: NO MEASURABLE LEAKAGE AT 8" W.G.

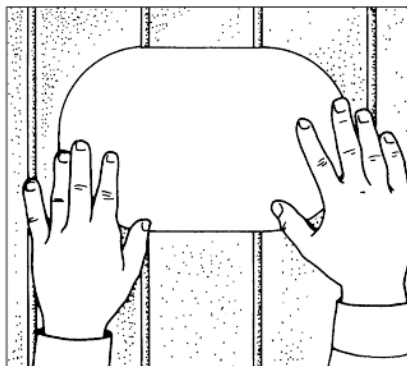


APEC Model Numbers

Round Ductwork			Flat Ductwork	
Duct Dia.	Model	Door Size	Model	Door Size
6"	ADR-06	8" x 4"	ADF-10x06	10" x 6"
8"	ADR-08	8" x 4"	ADF-16x12	16" x 12"
10"	ADR-10	10" x 6"	-	-
12"	ADR-12	10" x 6"	-	-
14"	ADR-14	10" x 6"	-	-
16"	ADR-16	10" x 6"	-	-
18"	ADR-18	10" x 6"	-	-



INSTALLATION INSTRUCTIONS:



SELF-ADHESIVE TEMPLATES are also provided so that the duct opening can be cut without expensive lay-out.



EASY INSTALLATION after door opening has been cut, unscrew handles or door to insert in the opening, align then tighten knobs.

www.airproductsequip.com

1555 Louis Ave

Elk Grove Village IL, 60007

(847) 437-5952



Cam Lock Access Doors

Ruskin ADC

STANDARD CONSTRUCTION:

FRAME: 22 GAUGE GALVANIZED STEEL

DOOR: 22 GAUGE GALVANIZED STEEL

CAM LOCKS: PLATED STEEL

SEALS: FOAM GASKET

APEC Model Numbers		
ADC-06X06	ADC-12X12	ADC-18X18
ADC-08X08	ADC-14X14	ADC-20X20
ADC-10X10	ADC-16X16	ADC-24X24

OTHER SIZES ARE AVAILABLE FOR SPECIAL ORDER

MAXIMUM OPERATIONAL PRESSURES:

THROUGH 12" X 12": 3" W.G.

ABOVE 12" X 12": 2" W.G.

