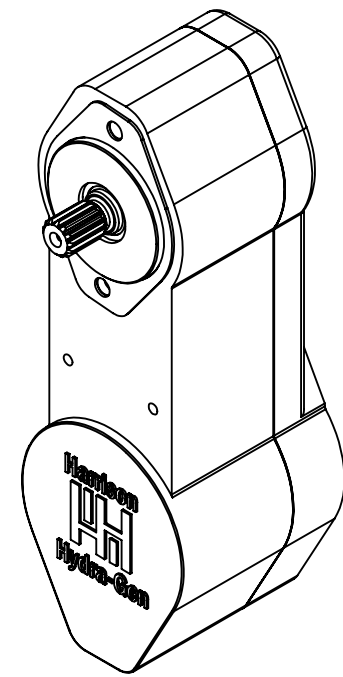
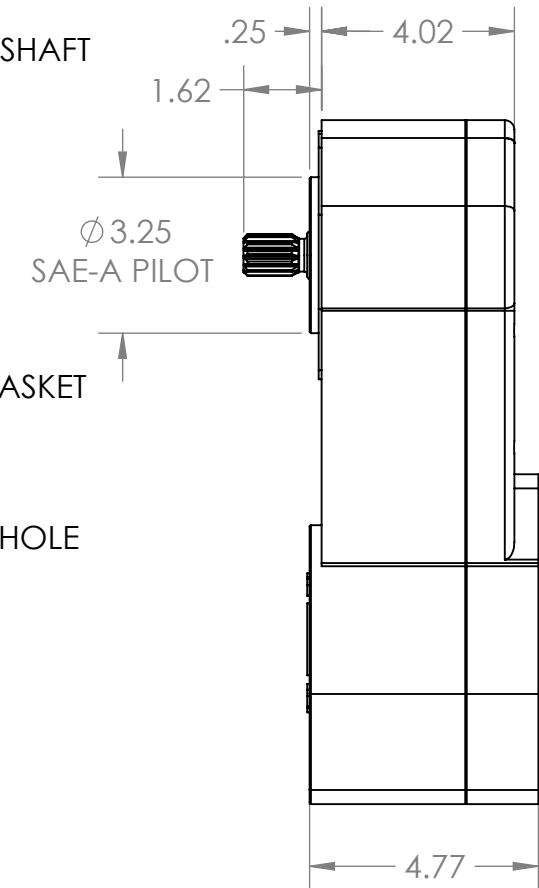
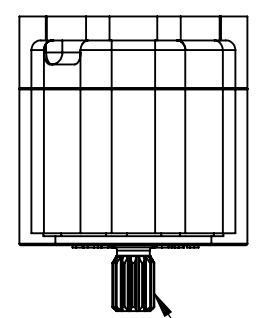
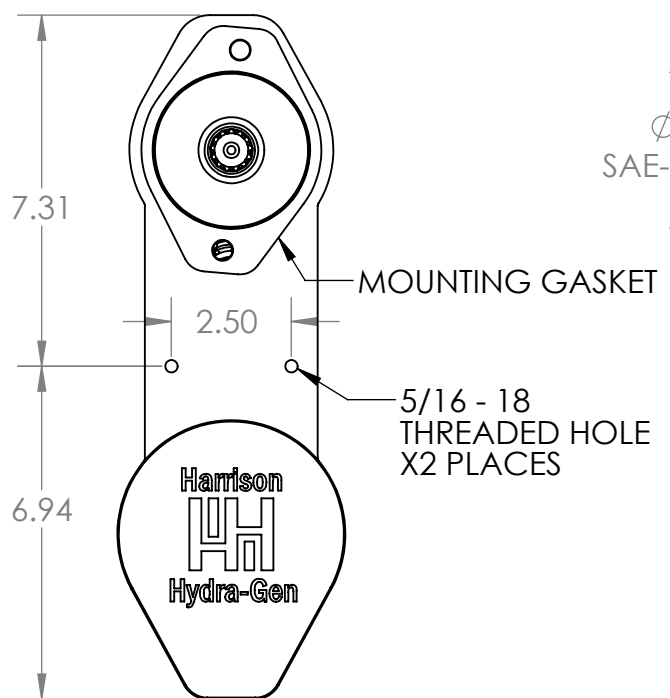
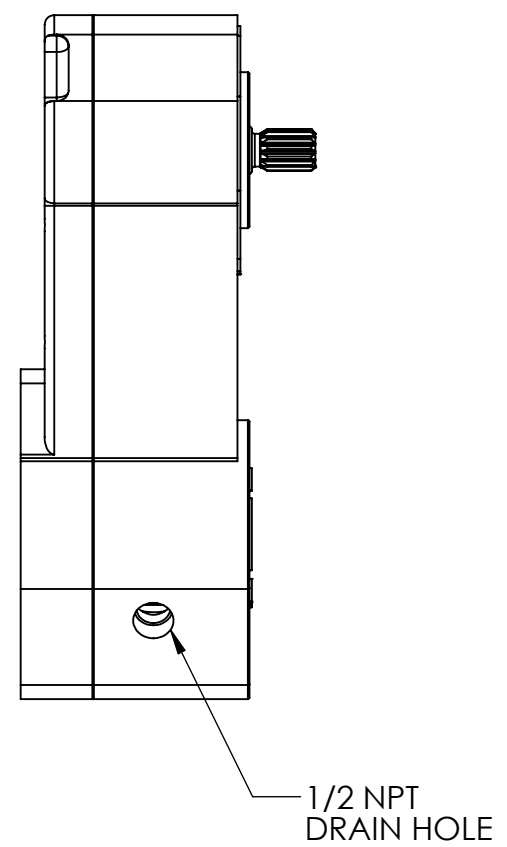
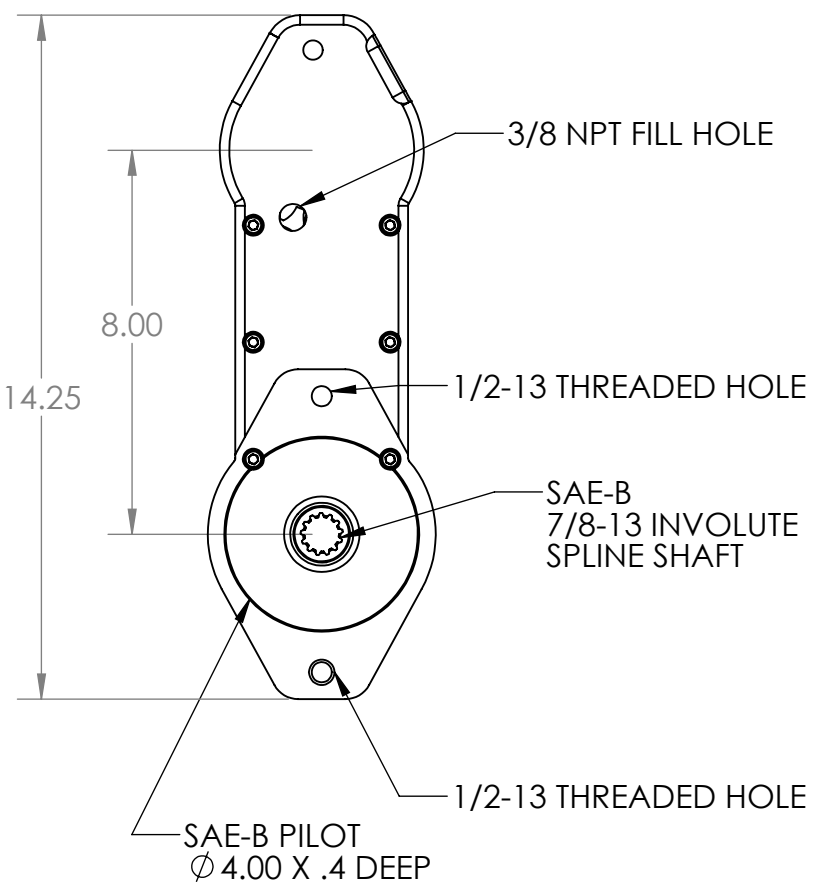


PROPRIETARY AND CONFIDENTIAL

THE INFORMATION CONTAINED IN THIS DRAWING IS THE SOLE PROPERTY OF HARRISON HYDRA-GEN LTD. ANY REPRODUCTION IN PART OR AS A WHOLE WITHOUT THE WRITTEN PERMISSION OF HARRISON HYDRA-GEN LTD. IS PROHIBITED.

SPECIFICATIONS

RATIO 1:1
 INPUT SAE-A PILOT WITH SAE-B 7/8-13 TOOTH SPLINE MALE SPLINE
 OUTPUT SAE-B PILO WITH SAE-B 7/8-13 TOOTH SPLINE FEMALE SPLINE
 PUMP ROTATION WILL BE CW
 OIL REQUIRED; **USE ONLY MOBIL SCH GEAR 220**



NOTES:

REV.	DRFT	CHK	APVD	DATE	DESIGN CHANGES
A	PD	PD	PD	3-28-16	DIMENTIONAL DRAWING
B	PD	PD	PD	10-10-16	ADD LOGO TO CASTING

UNLESS OTHERWISE SPECIFIED:
 DIMENSIONS ARE IN INCHES
 TOLERANCES:
 FRACTIONAL \pm .015
 ANGULAR: MACH \pm 0.5° BEND \pm 1°
 TWO PLACE DECIMAL \pm .01
 THREE PLACE DECIMAL \pm .003

14233 West Rd.
 Houston, TX 77041
 Tel: (281) 807-4420
 Fax: (281) 807-4815

SCALE: 1:4
 SHEET 1 OF 1

HARRISON HYDRA-GEN LTD.
 TITLE: HYDRA-DRIVE GEARBOX
 PART: HU507-GB12
 SIZE B DWG. NO. HU507-GB12-01-B REV B