

PROPRIETARY AND CONFIDENTIAL

THE INFORMATION CONTAINED IN THIS DRAWING IS THE SOLE PROPERTY OF HARRISON HYDRA-GEN LTD. ANY REPRODUCTION IN PART OR AS A WHOLE WITHOUT THE WRITTEN PERMISSION OF HARRISON HYDRA-GEN LTD. IS PROHIBITED.

**MODEL SHOWN**

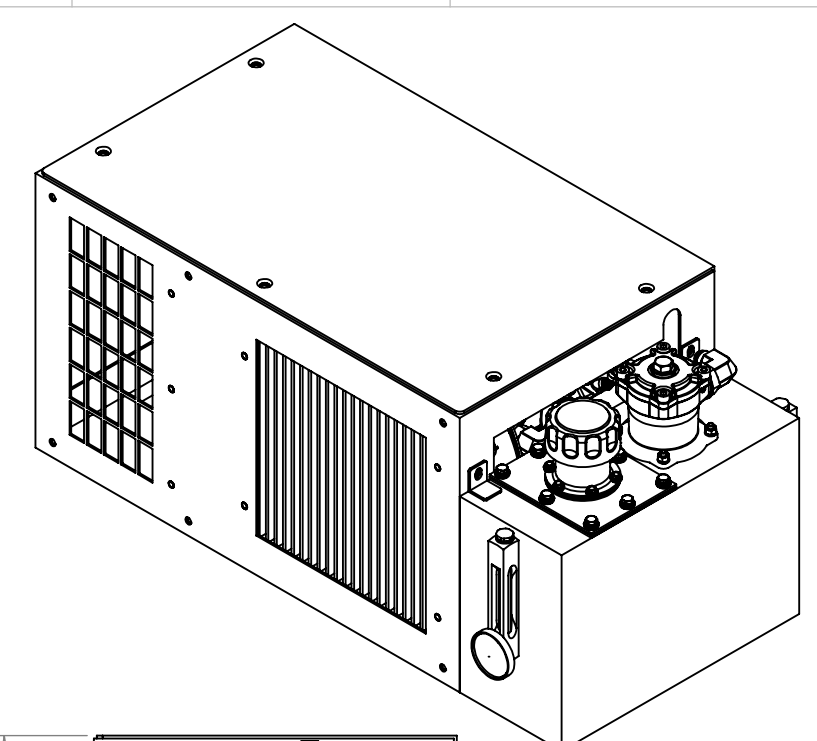
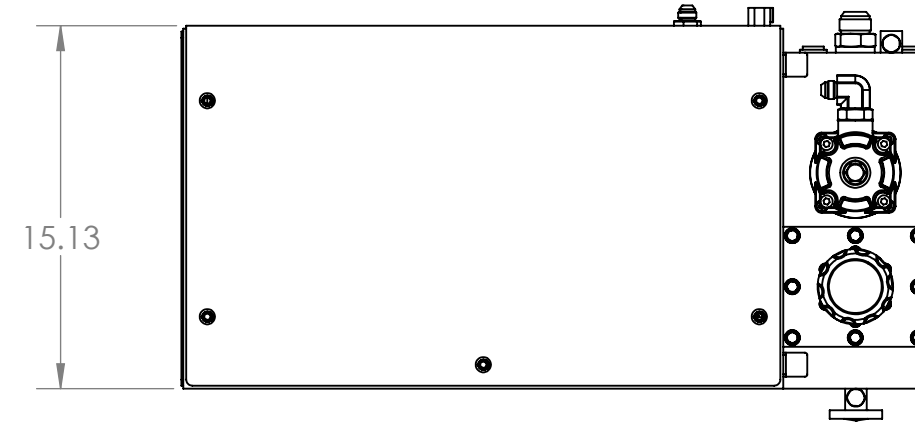
6.0MSV-16R/C-01030/XX/SP2

D

C

B

A

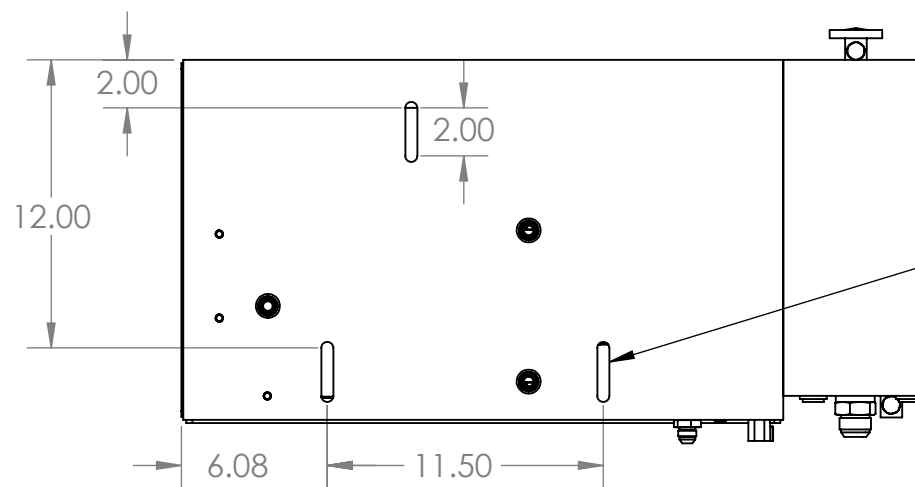
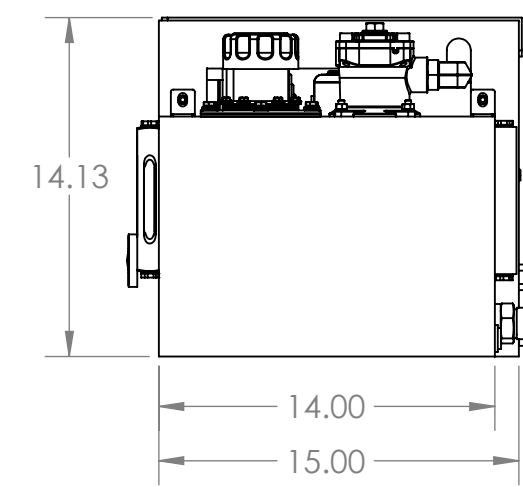
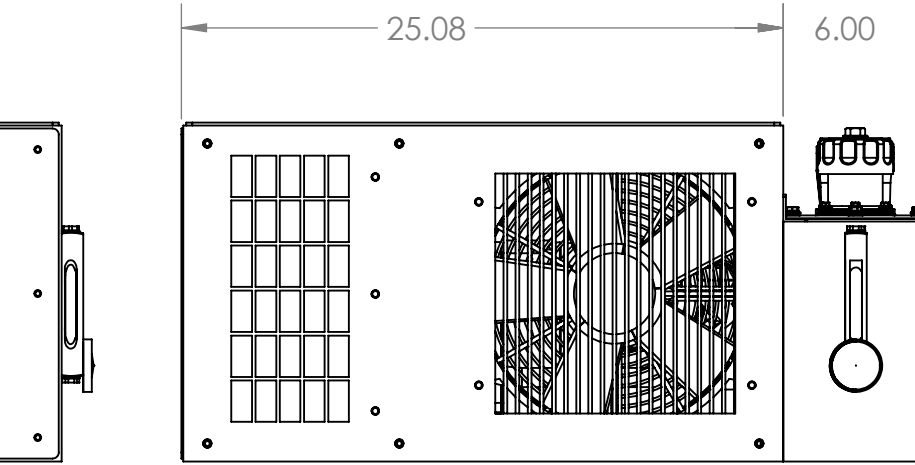


D

C

B

A



BOTTOM MOUNTING SLOTS  
3 PLACES

- RETURN FILTER
- FLUID LEVEL GAUGE
- AC POWER CORD INLET
- PRESSURE IN FROM PUMP #8 JIC FITTING
- PUMP CASE IN #8 JIC FITTING
- 12 VDC INLET PLUG
- SUCTION IN TO PUMP INLE #16 JIC FITTING
- RESERVOIR DRAIN PLUG #8 SAE

NOTES:

REV.	DRFT	CHK	APVD	DATE	DESIGN CHANGES
C	PD	PD	PD	6-10-16	DIMENSIONAL DRAWING

UNLESS OTHERWISE SPECIFIED:  
 DIMENSIONS ARE IN INCHES  
 TOLERANCES:  
 FRACTIONAL ± 0.015  
 ANGULAR: MACH ± 0.5° BEND ± 1°  
 TWO PLACE DECIMAL ± 0.01  
 THREE PLACE DECIMAL ± 0.003

DO NOT SCALE DRAWING

14233 West Rd.  
Houston, TX 77041

Tel: (281) 807-4420  
Fax: (281) 807-4815

SCALE: 1:8

SHEET 1 OF 1

**HARRISON HYDRA-GEN LTD.**

TITLE: MSV-16R DIMENSIONS

PART: HU06.0MSV-16R/C-01030/XX/SP2

SIZE DWG. NO. REV  
 B HU06.0MSV-16R\_C-01030\_SP2-01-C