

FIRST FLOOR PLAN

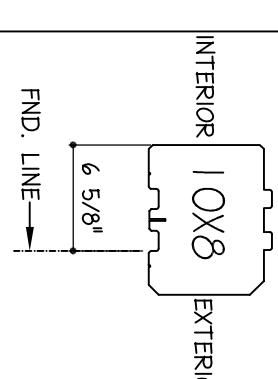
SCALE: 1/4" = 1'-0"

BUILDER NOTE: REFER TO THE ASSEMBLY DETAIL HANDBOOK FOR ADDITIONAL INSTALLATION INFORMATION & SPECIFIC CONSTRUCTION DETAILS

STRUCTURAL DESIGN CRITERIA

SLEEPING ROOMS	40 psf
GROUND SNOW	30 psf (LIVE/D) per (CSA0)
ROOFING	20 psf (LIVE/D) per (CSA0)
WIND	30 psf (LIVE/D) per (CSA0)
SEISMIC	AS PER LOCAL CODES
TEMPERATURE	INTERIOR: 65°F - 70°F EXTERIOR: -20°F TO 120°F
ICE	AS PER LOCAL CODES

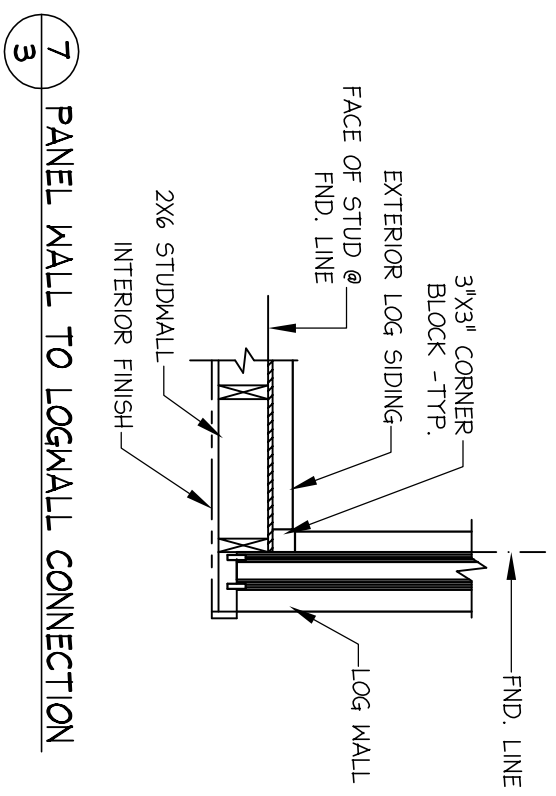
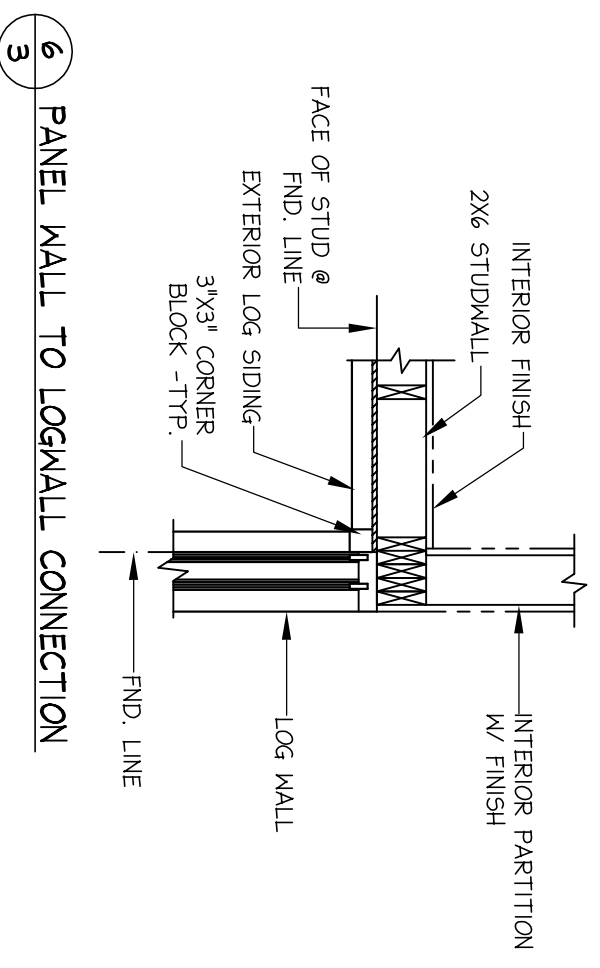
LOG PROFILE



- ⊕ ELECTRIC SMOKE DETECTOR WIRED TO LIGHTING CIRCUIT. ACTIVATION OF ONE ALARM SOUNDS ALL DETECTORS. POWER BACKUP REQUIRED.
- ⊕ CARBON MONOXIDE DETECTOR TO BE INSTALLED NEAR EACH BEDROOM. DETECTOR TO BE INSTALLED INSIDE BEDROOM WITH FUEL-FIRED APPLIANCE OR FIREPLACE RESULT WITH NO DISCONNECT

PURCHASER / BUILDER PUMPING NOTE:
SPECIAL ATTENTION SHOULD BE GIVEN TO CORNER CONNECTIONS IN 2ND FLOOR SYSTEMS

- 1 2x6 BUILT-UP SUPPORT POST
- 2 100 SUPPORT POST
- 3 100 SUPPORT POST - FULL HEIGHT
- 4 2x8 BUILT-UP WALL STIFFENER
- 5 2x8 BUILT-UP WALL STIFFENER (SEE ALSO CONSTRUCTION DETAIL MANUAL)
- 6 2x4 BUILT-UP SUPPORT POST
- 7 PANEL WALL TO LOGWALL CONNECTION



5/14/14	1	UPDATED PER SIGNED DESIGN DWGS DATED 5/9/14
DATE	REV #	DESCRIPTION
REVISION SCHEDULE		

1740 County Hwy 48
Depot, NY 13754
Phone: (800) 233-2770
www.beavermountain.com

BEAVER MOUNTAIN
Log & Cedar Homes
Copyright © 2014

PROJECT #:	14-106-14L
TITLE:	FIRST FLOOR PLAN
REVISION:	1
DWG. #:	3 OF 15