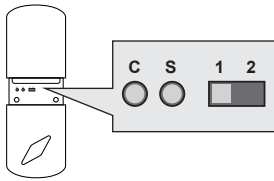


Know Your Program Controls

** Illustrations may not be exact representation of product. Does not effect programming process.



Programming Panel:

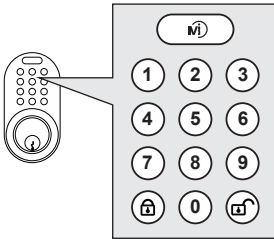
Found under battery cover of back module.

C: Clear

S: Set

1|2 Switch: Has two functions,

- (a) The **Switch** is used to **change the direction** your lock engages the latch (Depends on right or left door installation).
- (b) **Switch** needs to be on **2** during any programming of codes.



Keypad:

Mi Logo Button (Top Button): Enables keypad back lighting.

1-9, 0 Buttons: Used to enter numerical key codes.

Lock Button: Electronically engages latch to lock position.

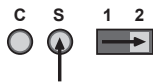
Unlock Button: Has two functions,

- (a) Pressing the Unlock button after entering saved Keypad Code to electronically engage latch to unlock position.
- (b) During programming, the unlock button is used to confirm key codes being set or cleared.

PROGRAM:

Add A Code To Lock

- (a) Set **Switch** to **2**
- (b) Press the **S Button**.



- (c) Use **keypad** to enter a **2-8 digit code**



- (d) Press the **Unlock Button** to confirm.
2 beeps: Confirmed
3 beeps: Try again



- (e) Refer to **Function Test** on next page

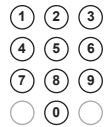
PROGRAM:

Delete A Code From Lock

- (a) Set **Switch** to **2**
- (b) Press the **C Button**.



- (c) Use **keypad** to enter an existing key code.



- (d) Press the **Unlock Button** to confirm.
2 beeps: Confirmed
3 beeps: Try again



- (e) Refer to **Function Test** on next page

PROGRAM:

Delete ALL Codes

- (a) Set **Switch** to **2**
- (b) Press and **Hold C Button** until **2 beeps**.

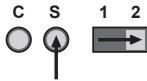


10 seconds

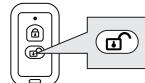
PROGRAM:

Pairing RF Remote (QF or XF Model Only)

- (a) Set **Switch** to **2**
- (b) Press the **S Button**.



- (d) Press the **Unlock Button** on remote to confirm.
2 beeps: Confirmed
3 beeps: Try again



- (e) Refer to **Function Test** on next page

PROGRAM (cont.):

Function Test: If a passcode has not been successfully programmed, the lock will not operate using the keypad. To check if a passcode has been successfully programmed in the memory:

1. Manually unlock door lock and open the door. Make sure door is kept open during Function Test.
2. Press the **LOCK** button on the keypad 1 time and listen to the beeps:

- **1 Beep, Engagement:** If lock beeps 1 times and latch is engaged successfully, at least 1 code has been saved to lock memory.
- **2 Beeps:** If the lock beeps 2 times and latch is not engaged, one of two issues:
 - Set 1|2 switch to other number.
 - Passcode not properly set. Refer to programming instructions on adding a passcode.
- **Rapid Beeping:** If the lock produces a set of rapid beeps and/or partially engages latch, you have low batteries. Replace the batteries with a set of 4 premium "AA" alkaline batteries.

** If issue persists, please contact tech support. **

TROUBLESHOOTING

Low Batteries (Most Common Issue): If the lock produces a set of rapid beeps and/or partially engages latch, you have low batteries. To avoid any difficulties during set up, make sure you are using brand new AA alkaline batteries. Using a battery tester is not recommended. Always have traditional keys on hand.

Door Jam Alignment: Make sure the deadbolt and the hole in the door jam line up so that there is minimal resistance or friction on the deadbolt as it extends and retracts from the door.

Driver Bar and/or Thumb-turn Position: In step 3 of the installation, you are instructed to position the driver bar in the vertical position while the deadbolt is retracted. In step 5 of the installation, you are instructed to position the thumb turn according to which side the door latch faces. If these parts are not positioned according to the instructions, you will encounter issues such as the lock only working with the key in the cylinder, a jammed thumb turn, or a key that will not release from the cylinder. The best thing to do is remove the lock from the door and install the lock according to the instructions provided.

Loose Keypad Connection: If not connected securely, the keypad wire harness connection may come loose and cause some of the numbers to operate inconsistently. To confirm your door lock issue is not being caused by a loose keypad connection, press every number on the keypad and confirm every button beeps when pressed.

Unresponsive Keypad Buttons: If some of the numbers are not beeping, remove the back module (part B) and inspect the wires for any pinches or tears. Make sure to check the wires coming from the keypad as well. Disconnect the wire harness and make sure the pins in the male connection are not bent out of alignment. Reconnect your wires and confirm every button on the keypad beeps when pressed. If you are still having keypad issues after following our troubleshooting guide, call us for a replacement under warranty.

WARRANTY

MiProducts Corporation warrants to the original residential user of this product that it will be free from defects in materials and workmanship, under normal use, for 1 year from the date of purchase. User must provide a copy of original purchase receipt. This warranty does not cover abuse or misused products or products used in commercial applications. All mechanical components carry a limited warranty, for a period of 25 years from the date of purchase. The finish of the exterior of this lock carries a limited warranty of the lifetime of the unit against deterioration due to normal weather conditions. This warranty does not apply to locks that have been improperly installed, modified, put to a use other than designed, or subjected to acts of God (such as floods, lightning, earthquakes, etc.) This warranty is limited to repairing or replacing of this lock only at MiProducts Corporation's sole discretion. MiProducts Corporation will NOT be liable for the cost of installing, removing, nor reinstalling this product, nor direct, indirect, or consequential damages to persons or property resulting from the use of this product. This warranty only covers the cost of replacement parts, it does not cover shipping & handling fees.

PLEASE CONTACT OUR TECHNICAL SUPPORT IF:
-NEED ASSISTANCE INSTALLING OR PROGRAMMING YOUR LOCK
- LOCK IS NOT WORKING PROPERLY AFTER TROUBLESHOOTING
- OR NEED TO FILE A WARRANTY CLAIM

1-800-355-0157

Mon-Fri 9:00am to 5:00pm PST (English & Spanish)

ALTERNATIVELY, FILE WARRANTY CLAIMS AT:
www.milocks.com/warranty

INSTALLATION MANUAL

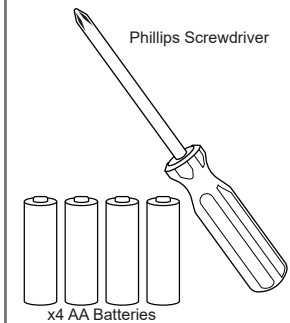
KEYPAD ENTRY DEADBOLT LOCK

MODELS:

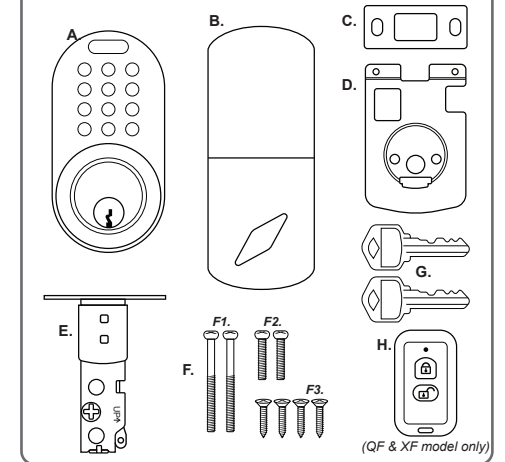
BLEF, CF, DF, TF, QF, XF, ZWF

REQUIRED TOOLS

(NOT INCLUDED)



PACKAGE CONTENTS



DISCLAIMER:

- Carefully read instructions in their entirety before installing.
- Always use proper safety measures during the install of this product.
- Always have traditional keys on hand in case of electronic failure.
- Only use brand new, popular brand, alkaline non-rechargeable AA batteries.
- Remove batteries from product when storing for extended periods of time.
- Back Module (B) needs to be protected from weather.

PARTS LIST:

- A** Front Module
- B** Back Module
- C** Strike Plate
- D** Mounting Plate
- E** Extendable Latch
- F** Screws
 - F1. Mounting Plate Screws**
 - F2. Back Module Screws**
 - F3. Strike Plate/Latch Screws**
- G** Traditional Keys
- H** RF Remote (QF & XF Model Only)

** Illustrations may not be exact representation of product

PRODUCT REGISTRATION

Although we hope you never have to deal with a warranty claim during the use of our product, you should submit a product registration to validate the warranty. This keeps it on record with us so you don't have to save a receipt or record of any kind. Just give us a call and we will take care of you.

REGISTER YOUR PRODUCT AT:
www.milocks.com/product-registration/

WARNING

- Do NOT use rechargeable batteries (Li-On, nickel blends, rechargeable alkaline).
- Do NOT use non-rechargeable zinc blend batteries.
- Do NOT mix old and new batteries.
- Do NOT puncture or damage batteries. Electrolyte leakage from the batteries is corrosive and can cause serious harm to the eyes or skin. If swallowed, the electrolyte can be toxic.
- Do not dispose of batteries in fire as they may explode. Please follow your local battery disposal procedure.



Ignoring disclaimer or warnings may cause electrical issues to your MiLocks item. Issues may include: Overheating, leakage, discharge, voltage fluctuations, failed engagement of internal mechanism and bodily harm. MiProducts Corp is not liable for product failures or health issues due to product or battery negligence and/or misuse.

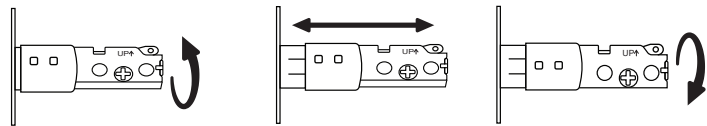
1 Parts: E

Adjusting Latch Size

For doors with bore holes **2 3/8" (60mm)** from door edge, do not extend latch.
For doors with bore holes **2 3/4" (70mm)** from door edge, extend latch by:

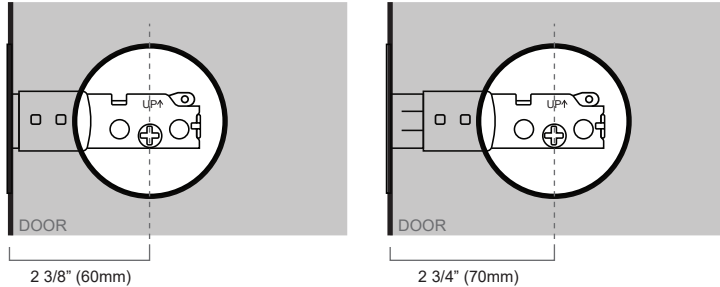
- (1) Twist Latch
- (2) Extend
- (3) Twist back

(Note: When inserting into door, be sure UP↑ on latch is correctly oriented)



LATCH NOT EXTENDED

LATCH EXTENDED

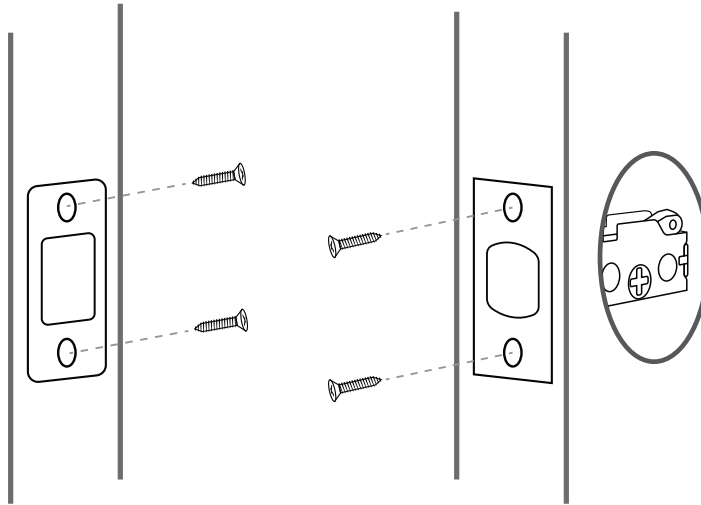


2 Parts: C, E, F3

Secure Strike Plate and Latch

Note: Latch should be in the UNLOCK position.

- (1) Use Screws (F3) to secure Strike Plate (C) to door frame.
- (2) Use Screws (F3) to secure Latch (E) To door

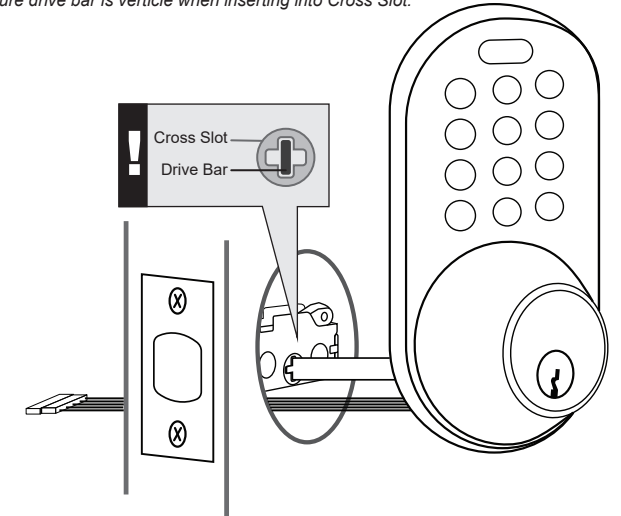


3 Parts: A, E

Front Module Installation

- (1) Run Drive Bar (!) through the Cross Slot (!) of the Latch (E).
- (2) Run Connector Wire through bore hole of door.

(!) Be sure drive bar is vertical when inserting into Cross Slot.



** Illustrations may not be exact representation of product. Does not effect installation.

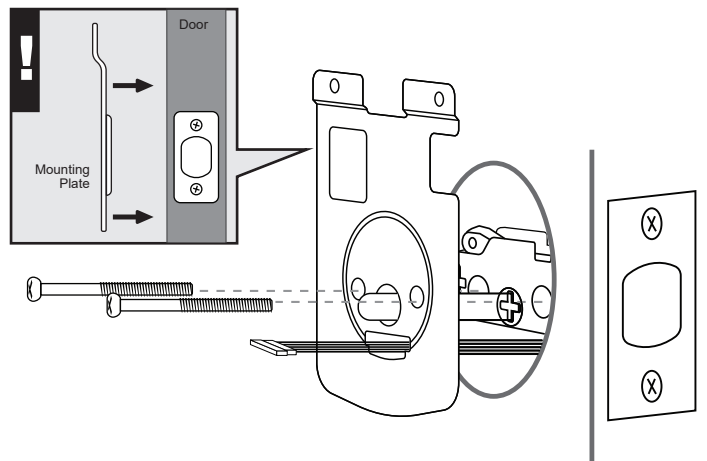
4 Parts: D, F1

Mounting Plate

On opposite side of door from front module:

(!) The rounded bump of the Mounting Plate (D) should be placed flush with the door.

- (1) Run Drive Bar and Wire Connector through Mounting Plate (D) as shown.
- (2) Use Screws (F1) to secure Mounting plate and Front Module (A).



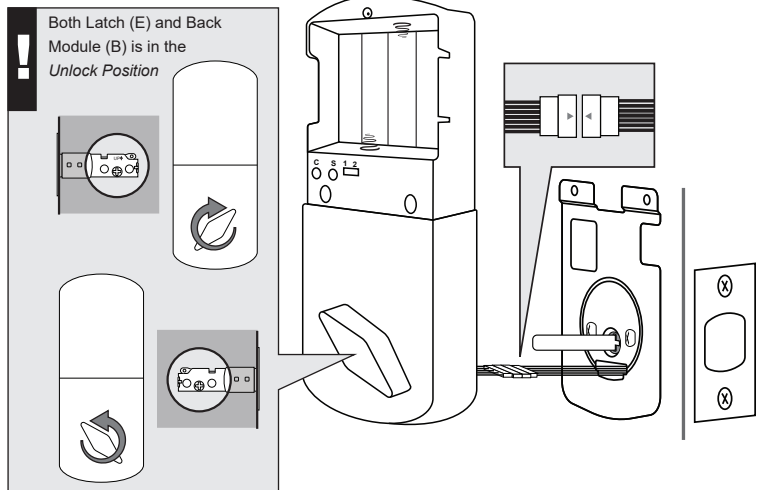
5 Parts: B

Connect Wires

- (1) Remove Battery Cover from Back Module before continuing:

- (2) Connect the White Wire Tabs from the Front Module (A) and back Module (B) together.

(!) Before continuing: Back Module (B) should be in the Unlock position by twisting thumb-turn away from Latch (E).

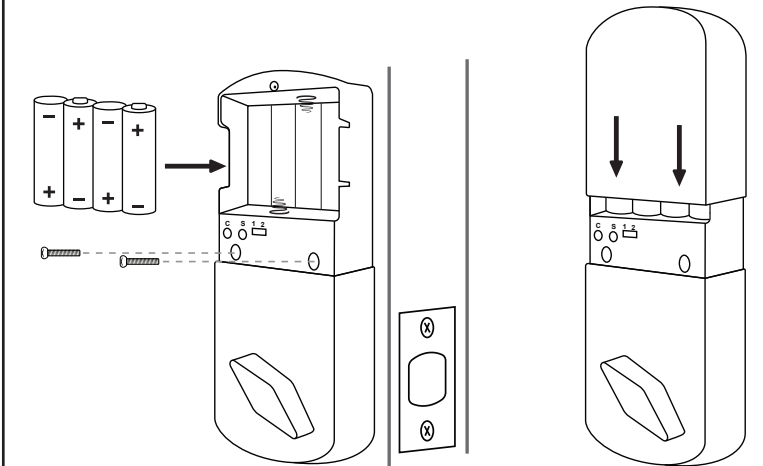


** Illustrations may not be exact representation of product. Does not effect installation.

6 Parts: B, F2

Connect Wires

- (1) Insert Drive Bar into Back Module's (B) Cross Slot.
- (2) Secure with Screws (F2).
- (3) Install brand new 4x AA batteries
- (4) Place battery cover back on.



** Illustrations may not be exact representation of product. Does not effect installation.