



SMARTER. SMALLER. STRONGER.



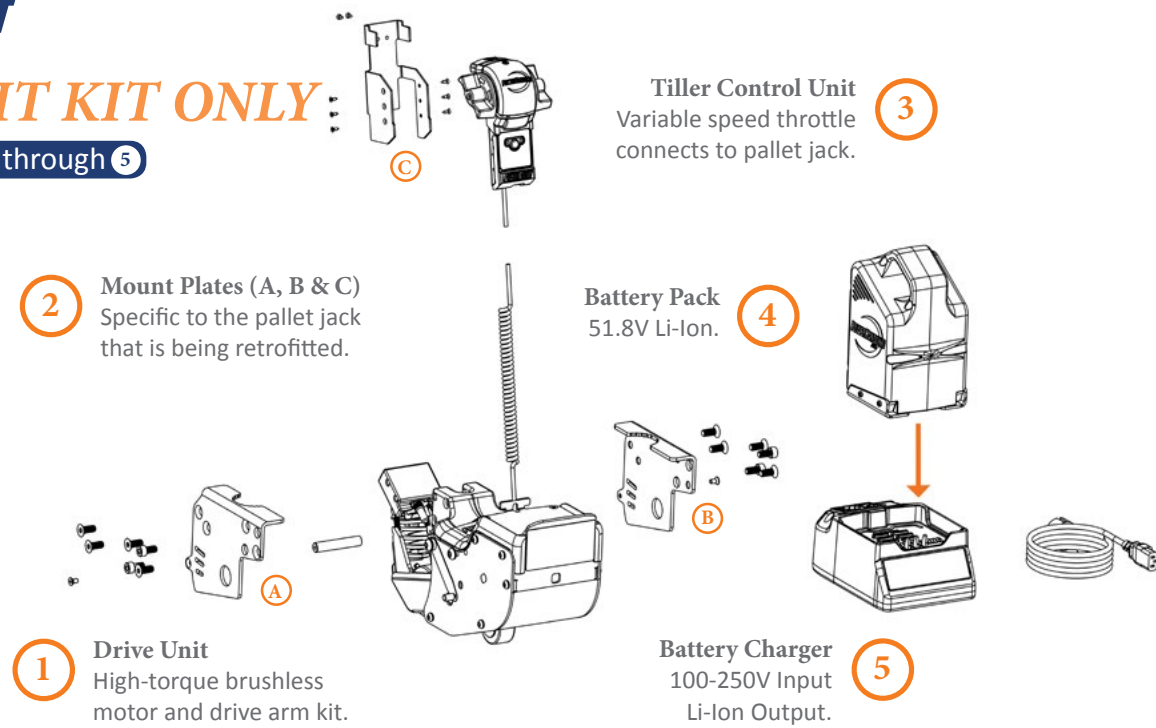
# ***POWER PALLET*** **2000**

*A compact drive system  
designed to motorize a  
manual pallet jack*

**SPECIFICATION SHEET**

## RETROFIT KIT ONLY

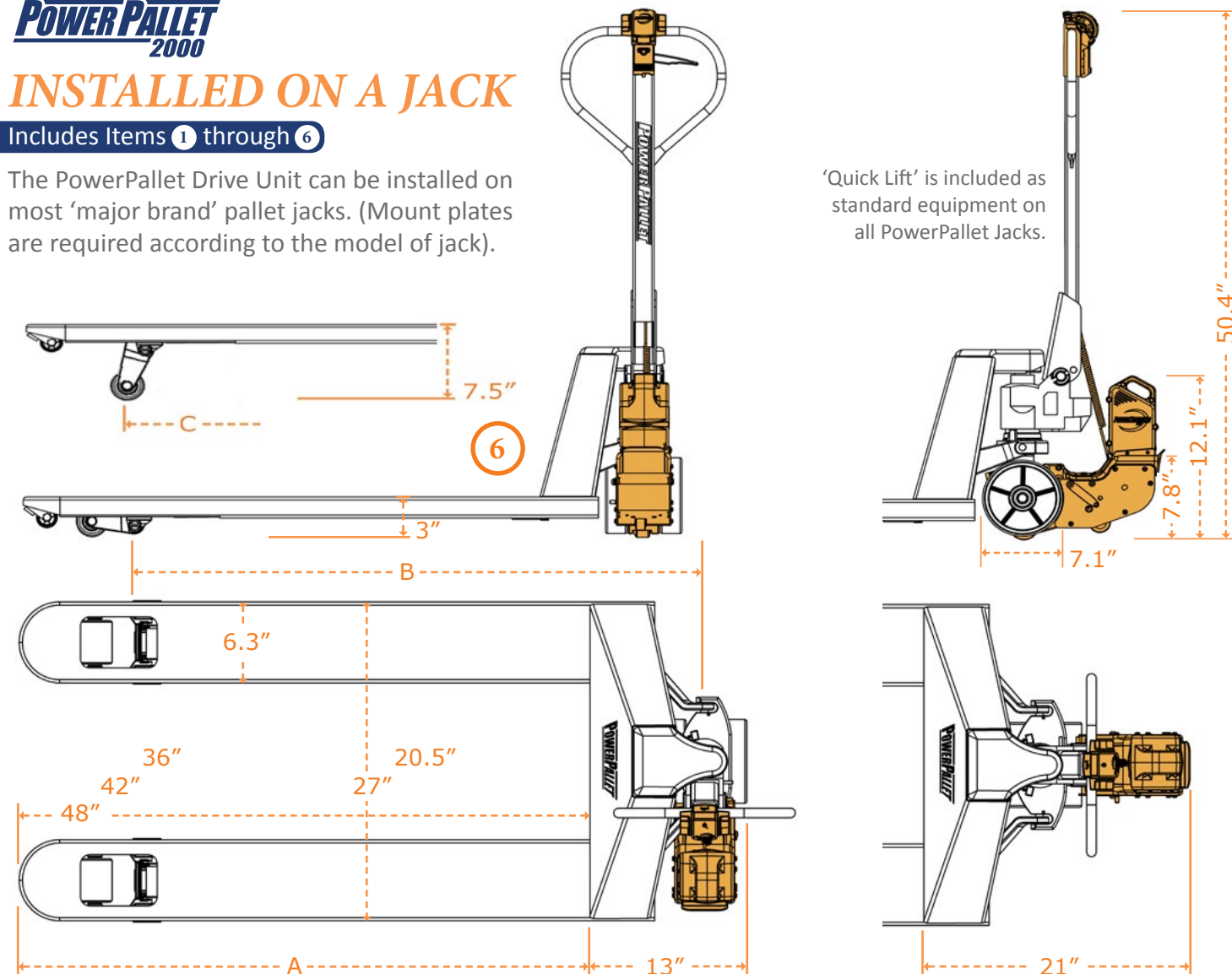
Includes Items 1 through 5



## INSTALLED ON A JACK

Includes Items 1 through 6

The PowerPallet Drive Unit can be installed on most 'major brand' pallet jacks. (Mount plates are required according to the model of jack).



## TECHNICAL SPECIFICATIONS

### IDENTIFICATION:

Manufacturer	PowerHandling Inc.
Model	PowerPallet 2000
Drive System	Brushless DC Motor, Quick Change Battery Pack
Operator Type	Hand
Load Capacity / Rated Load	3,500 lbs (on the flat) *
Load Centre Distance	23.6" (A)
Load Distance, Centre of Drive Axle to Fork	37.2" (Distance with forks raised) (B)
Wheelbase	46.0" (Distance with forks raised) (C)

### BATTERY PACK:

Amp Hours	5Ah
Voltage	51.8V
Recharge Time	2 hours from 80% depletion
Type of Battery	Li-ion
Battery Weight	4 lbs

## TECHNICAL SPECIFICATIONS

### IDENTIFICATION:

Manufacturer	PowerHandling Inc.
Model	PowerPallet 2000
Drive System	Brushless DC Motor, Quick Change Battery Pack
Operator Type	Hand
Load Capacity / Rated Load	3,500 lbs (on the flat) *
Load Centre Distance	23.6" (A)
Load Distance, Centre of Drive Axle to Fork	37.2" (Distance with forks raised) (B)
Wheelbase	46.0" (Distance with forks raised) (C)

### BATTERY PACK:

Amp Hours	5Ah
-----------	-----

## PERFORMANCE SPECIFICATIONS

MODE TYPE:	WAREHOUSE MODE	TRUCK MODE **	MANUAL MODE
Travel Speed MPH (Fwd/Rev)	3.7 (Programmable) ***	1.5 (Programmable) ***	Manual
Lowering Speed	Controllable / Hydraulic	Controllable / Hydraulic	Controllable / Hydraulic
Max. Gradeability	0%	0%	0%
Service Brake	250 lbf (1111N)	250 lbf (1111N)	Manual
Acceleration (Adjustable)	2.5 f/s <sup>2</sup>	2.5 f/s <sup>2</sup>	-

\* If the pallet jack is rated less than 4,500 lbs, the combined rating would be the same as for the pallet jack.

\*\* In Truck Mode the PowerPallet Jack can be driven with the handle in the vertical position, necessary in trucks / tight quarters.

\*\*\* The max. speed(s) in each mode can be set lower according to the owner's preference.

### PLEASE NOTE:

- Dimensions shown are for a standard, PowerPallet supplied 27" x 48" jack. Many alternative sizes of jacks can be provided.

- Specifications are subject to change at any time without notice. Due to various configurations and tolerances, PowerHandling Inc. does not take responsibility for the accuracy of given data.

## MANEUVERABILITY

Turning Radius	Same as for a Manual Jack (50.5" on a std 48" Jack)
Overall Length (Pallet Jack + PowerPallet)	Refer to Diagram
Overall Widths (Pallet Jack + PowerPallet)	Refer to Diagram
Very Light	160 lbs (Pallet Jack) + 45 lbs (Drive Unit + Battery)
Low Turning Force on Tiller (Upright Tiller)	16-18 lbf (70-80N) with approx. 1000 lbs load on pallet

- **POWERFUL & FAST**

Rated to 3,500 lbs with a user-settable maximum speed of up to 3.7 mph.

- **NEVER "DOWN"**

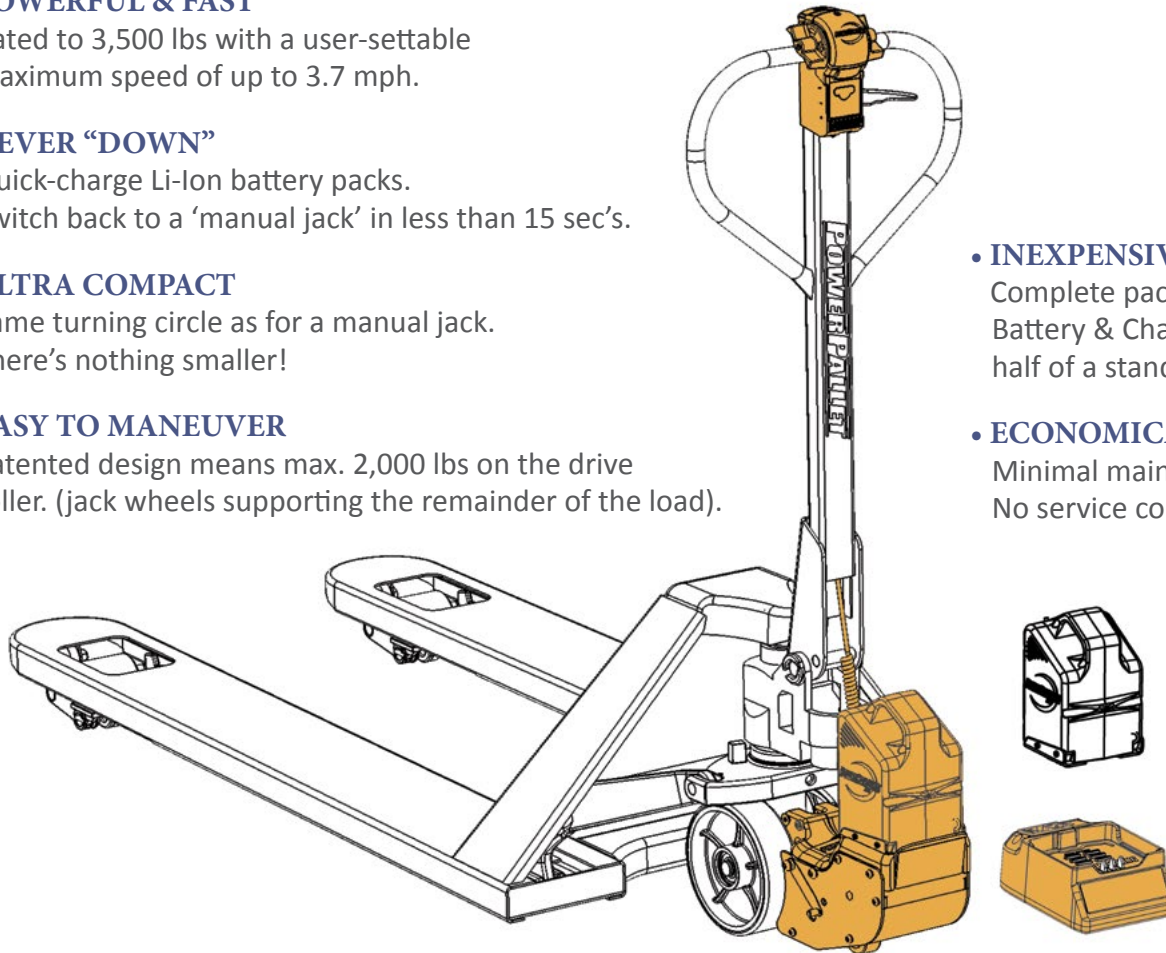
Quick-charge Li-Ion battery packs.  
Switch back to a 'manual jack' in less than 15 sec's.

- **ULTRA COMPACT**

Same turning circle as for a manual jack.  
There's nothing smaller!

- **EASY TO MANEUVER**

Patented design means max. 2,000 lbs on the drive roller. (jack wheels supporting the remainder of the load).



- **INEXPENSIVE TO BUY**

Complete package of Drive Unit, Battery & Charger for less than half of a standard "walkie".

- **ECONOMICAL TO OWN**

Minimal maintenance...  
No service contracts necessary.

## NORTH, CENTRAL, SOUTH AMERICA AND ASIA-PACIFIC REGION

**Corporate Office (U.S.A)**

1110 W. Riverside Ave, Spokane, WA 99201

**Production & Customer Service (U.S.A)**

1420 E. 3rd Ave, Post Falls, ID 83854

[sales@powerhandling.com](mailto:sales@powerhandling.com)

[www.powerhandling.com](http://www.powerhandling.com)

1.888.377.6937

## EUROPE, MIDDLE EAST, AFRICA AND BRAZIL

**Engineering, Sales & Service (PORTUGAL)**

Rua Pé de Mouro, Centro Empresarial

Lusoworld II, Armazém 35, Linhó

2710-335 Sintra, Portugal

[sales-eu@powerhandling.com](mailto:sales-eu@powerhandling.com)

[www.powerhandling.com](http://www.powerhandling.com)

+351 210 909 000