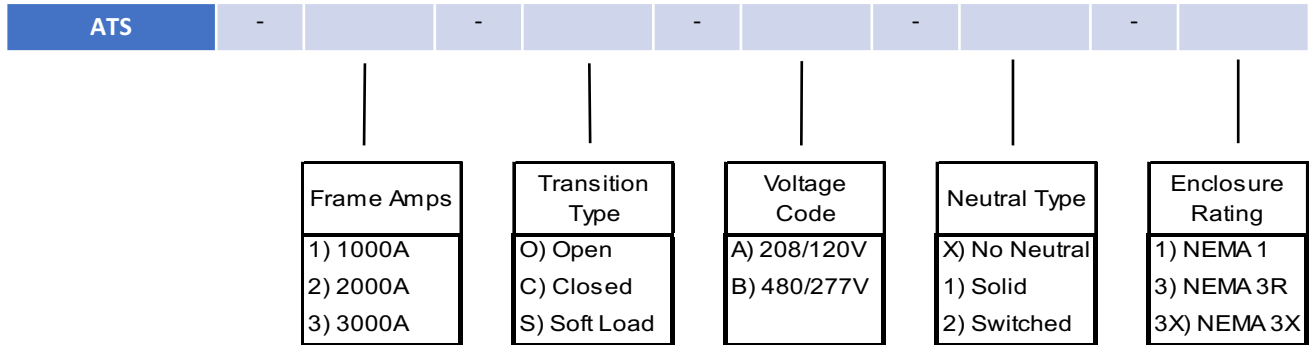


ATS Catalog Parts Configuration & Options



ATS PART NUMBER CONFIGURATOR



ATS OPTIONAL ADD ON ACCESSORIES

Catalog Code	Accessory Description
SE	Construction of ATS as Suitable for Use as Service Entrance Equipment
GCT	Ground Return CT for Ground Fault Detection
LORU	Lockout Relay Switch for Normal (Utility) Source
LORG	Lockout Relay Switch for Emergency (Generator) Source
ESR	Remote Emergency Stop Switch
CPSU	Cradle Position Contacts for Normal (Utility) Breaker
CPSG	Cradle Position Contacts for Emergency (Generator) Breaker

*When configuring an ATS with options, add additional dash separators for each option. See below for example part descriptions.

- UNIT IS DESIGNED FOR TOP AND BOTTOM CABLE ENTRY. STANDARD CONSTRUCTION IS FOR BOTTOM ENTRY NORMAL SOURCE, TOP ENTRY EMERGENCY AND LOAD SOURCES. CONSULT FACTORY FOR ALTERNATIVE SOURCE AND/OR LOAD CONFIGURATIONS.
- OPTIONAL CABLE PULL BOXES AVAILABLE FOR TOP AND BOTTOM CABLE ACCESS WHEN REQUIRED. CONSULT FACTORY FOR ADDITIONAL DETAILS.
- TRANSFER SWITCH SERVICEABLE LOAD RANGES ARE 0.4 – 1.0 RATED FRAME AMPERAGE. TRIP SETTINGS ARE FIELD ADJUSTABLE.
- RECOMMENDED CLEARANCES:
 - FRONT: 36 INCHES
- NO KNOCKOUTS PROVIDED, CONSULT FACTORY DRAWINGS FOR CONDUIT ENTRANCE AREAS.
- STANDARD CONSTRUCTION MATERIAL FOR NEMA 3R IS GALVANEAL. STANDARD CONSTRUCTION MATERIAL FOR NEMA 3X IS ALUMINUM. CONSULT FACTORY FOR ALTERNATIVE MATERIALS.
- STANDARD PAINT IS ANSI 61. CONSULT FACTORY FOR ALTERNATIVE PAINT COLORS.

SAMPLE PRODUCT PART NUMBER

*Automatic Transfer Switch, 2000A, Closed Transition, 208/120V, Solid Neutral (3-Ph, 4W), NEMA 1 Enclosure
ATS-2-C-A-1-1*

*Automatic Transfer Switch, 3000A, Soft Load Transition, 480/277V, Solid Neutral (3-Ph, 4W), NEMA 1 Enclosure,
*Service Entrance Rated Option Selected
*Utility Lockout Relay Option Selected
ATS-3-S-B-1-1-SE-LORU*