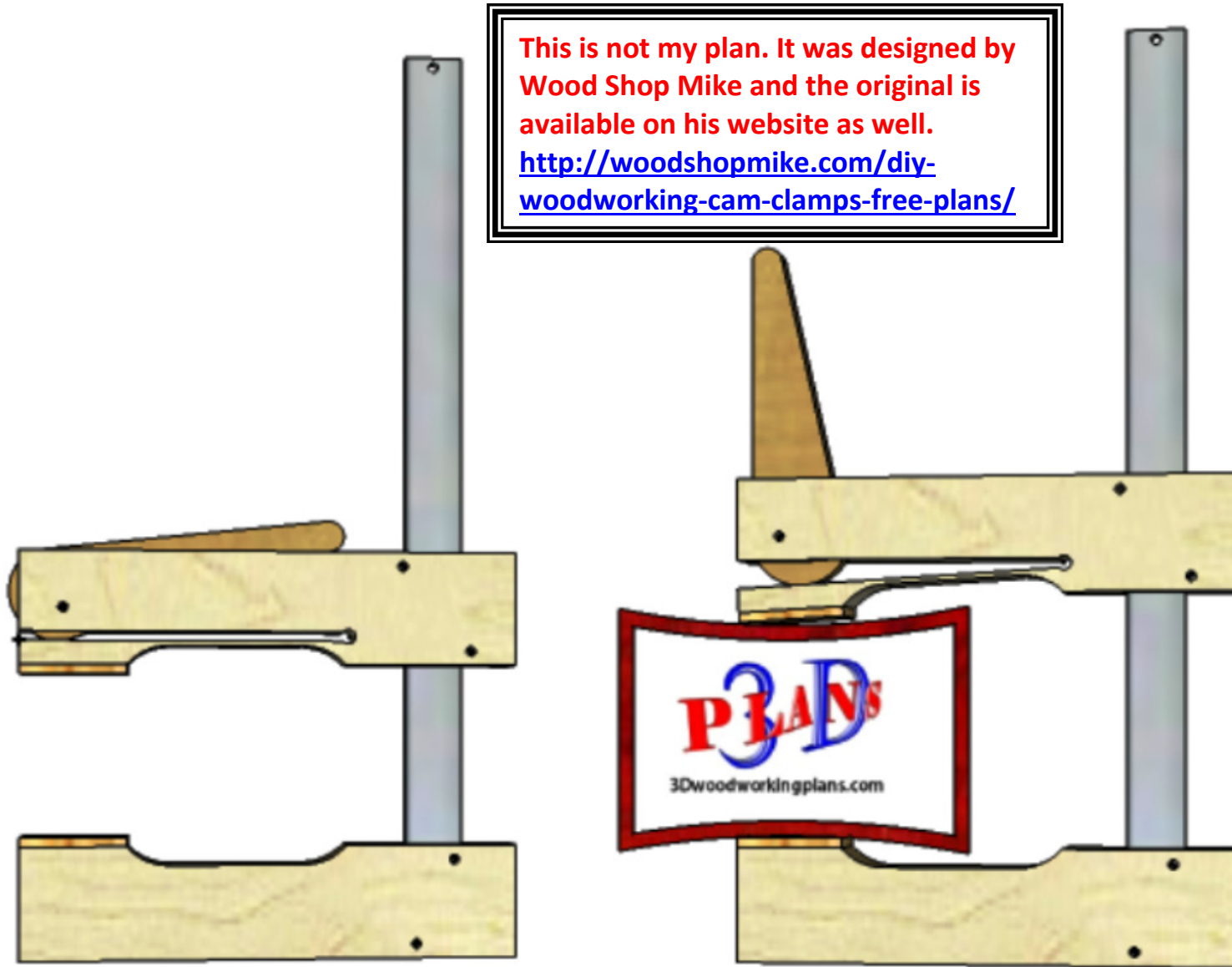


Shop-Made Cam Clamps



This is not my plan. It was designed by Wood Shop Mike and the original is available on his website as well. <http://woodshopmike.com/diy-woodworking-cam-clamps-free-plans/>



Shop Made Cam Clamps

Put the squeeze on high priced clamps Make your own with this FREE plan

You can construct as many clamps as you require in varying lengths and at huge cost savings.

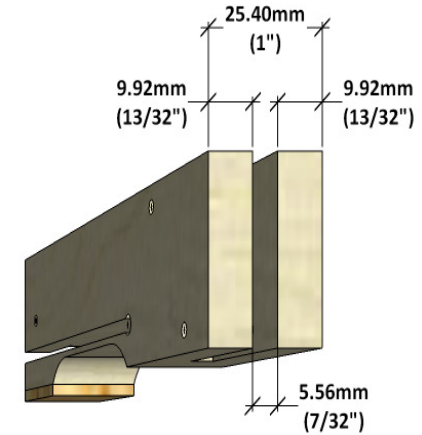
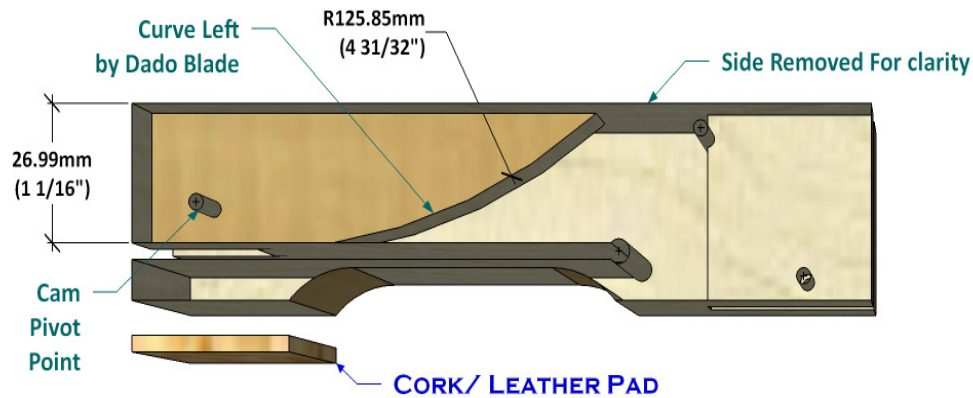
I saw a picture and description of these clamps on Instructable's that were designed by Mike from [Wood Shop Mike](http://WoodShopMike.com). I just redrew them in Sketchup and dimensioned them in Metric and British units. If you would prefer there are plans and construction details on Mike's website as well. Just follow this [LINK](#).

I was so impressed with the design I wanted to share it with followers.

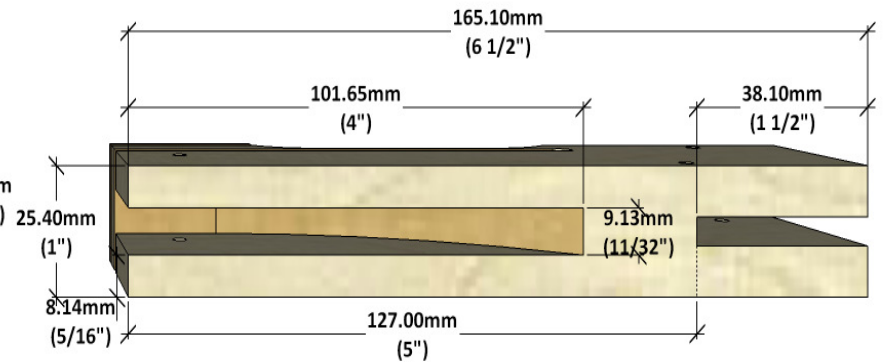
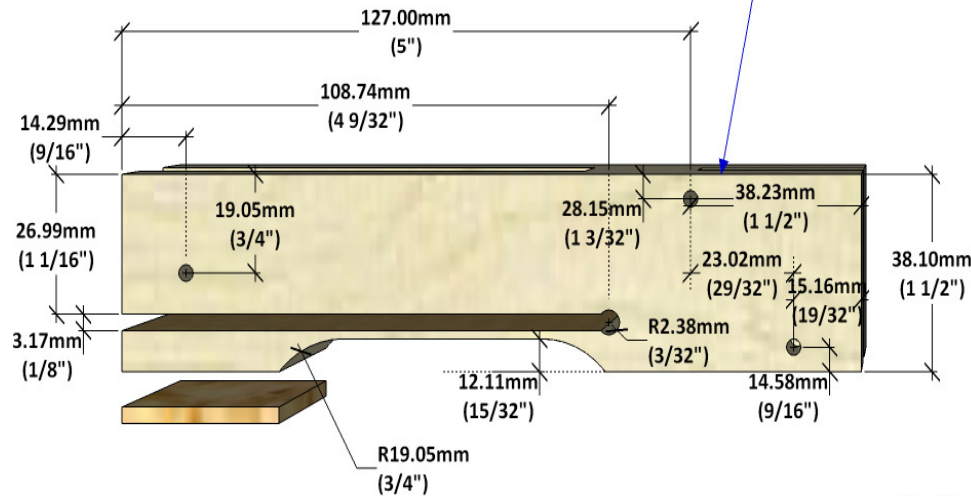
Have Fun!



Movable Jaw (Part A)

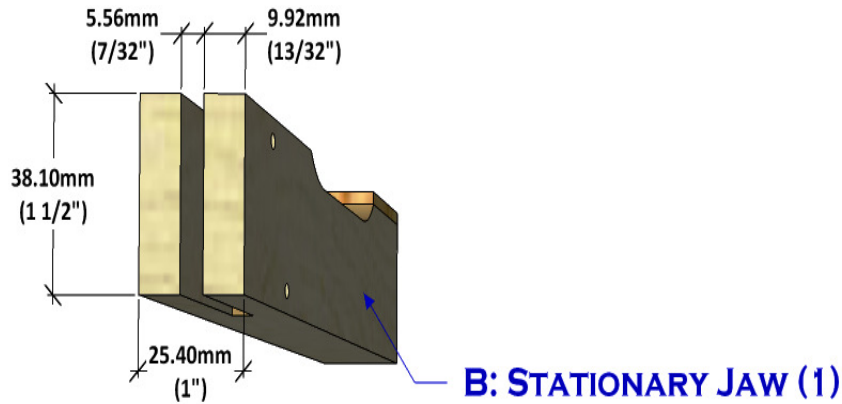


PART A: MOVABLE JAW (1)

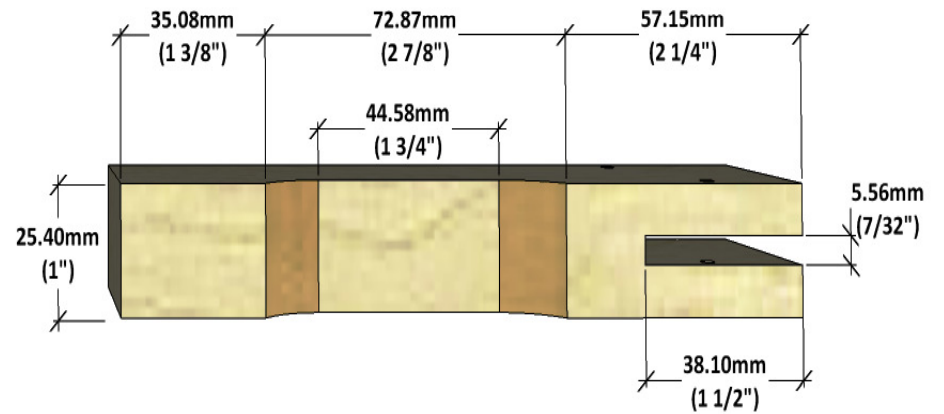
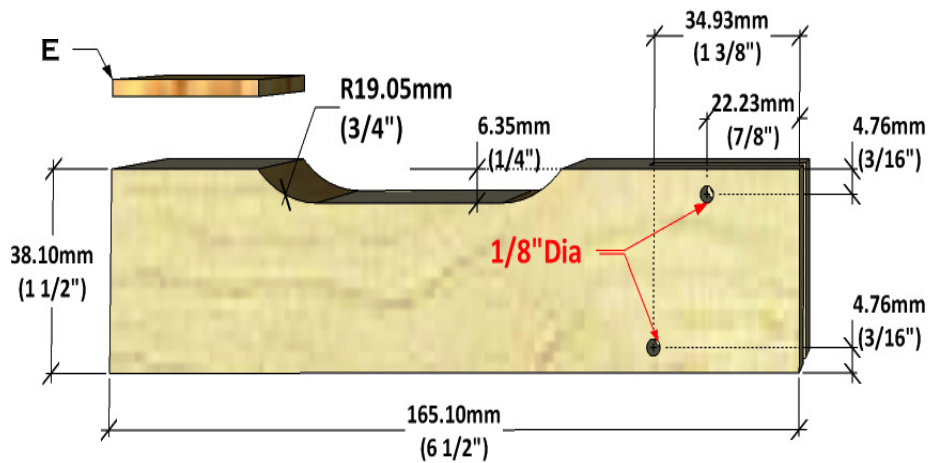
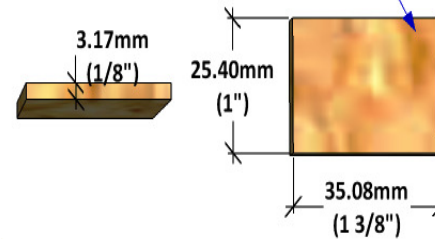




Stationary Jaw (Part B)

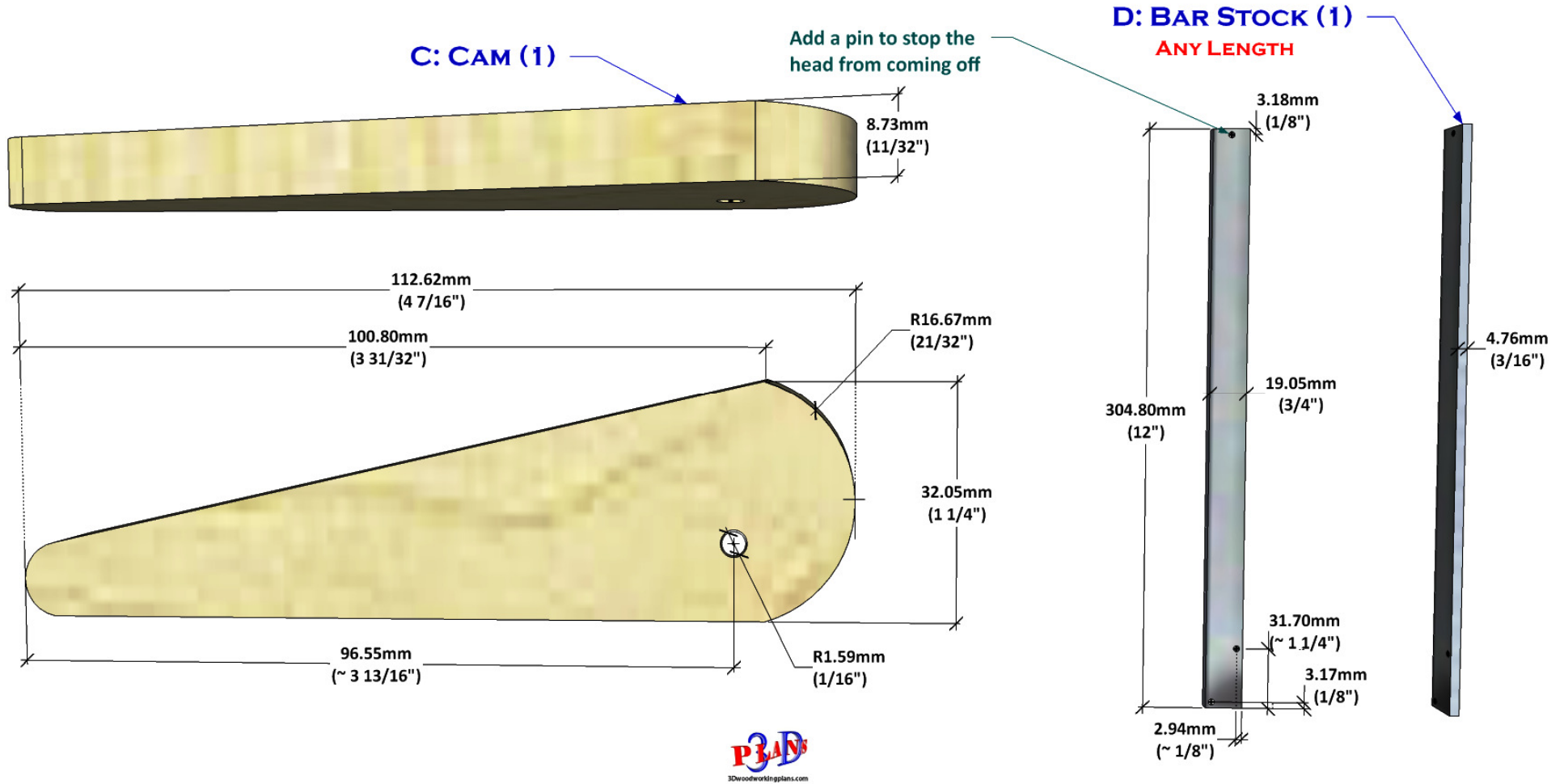


E: CORK PAD (2)





Cam & Bar Stock (Parts C & D)





Material Lists

ID #	QTY	Description	T"	W"	L"	Material	Notes: TBE / MBE = Tenon or Mortise Both Ends, ALSO: Machining required for workpiece	Page
A	1	Movable Jaw	1	1 1/2	6 1/2	Maple	Slots, Pivot Hole, Split Pin Holes	2
B	1	Stationary Jaw	1	1 1/2	6 1/2	Maple	Dado's, Curves & Holes	3
C	1	Cam	11/32	1 1/4	4 7/16	Maple	Curves, Taper & Hole	4
D	1	Bar Stock	3/16	3/4	12 ?	Steel	Drilled for Split Pins	4
E	2	Cork / Leather Pads	1/8	1	1 3/8	Choice	Pads are Optional	3
F	5	1/8 Split Pins	1/8		1	Steel	Pivot and Locking Pins	4

ID #	QTY	Description	T mm	W mm	L mm	Material	Notes: TBE / MBE = Tenon or Mortise Both Ends, ALSO: Machining required for workpiece	Page
A	1	Movable Jaw	25.40	38.10	165.10	Maple	Slots, Pivot Hole, Split Pin Holes	2
B	1	Stationary Jaw	25.40	38.10	165.10	Maple	Dado's, Curves & Holes	3
C	1	Cam	8.73	32.05	112.62	Maple	Curves, Taper & Hole	4
D	1	Bar Stock	4.76	2.94	304.80	Steel	Drilled for Split Pins	4
E	2	Cork / Leather Pads	3	25.40	35.08	Choice	Pads are Optional	3
F	5	1/8 Split Pins	3		25.40	Steel	Pivot and Locking Pins	4