

The BOSS C Series Hazardous Location Lighting

HTR16C1 / HTR16C2

120vAC / 277vAC / 347vAC / 480vAC



Cat. #	Type
Notes	



16" Diameter Round



140W / 160W / 180W
200W / 220W / 240W

DESIGNATIONS

UL STANDARDS

UL 844 - Hazardous Locations | UL1598 - Luminaires



NEC and CEC

Class I Div 1 - Groups B, C, D | Class I Div 2 - Groups A, B, C, D
Class II Div 1 - Groups E, F, G

KEY FEATURES AND BENEFITS

- Vibration / Anti-Resonance Design.
- Crush Resistant with High Impact Resistance.
- Marine Grade Housing / Salt Water Spray Resistant.
- Atmospheric Pressure Tolerance up to 10 Meter Depth.
- Factory Installed Cable Gland is Standard.
- Rated IP67.

SPECIFICATIONS

NAME	The Boss C series
Category	Hazardous Location Light
Model #	HTR16C1 - (CID1 / CID2) HTR16C - (CIID1)
Voltage	120vAC / 277vAC / 347vAC / 480vAC
Housing	Coated Copper Free Aluminum Alloy
Color	Gray
Lens	Flat Tempered Glass
Wattage	140w / 160w / 180w / 200w / 220w / 240w
Lifetime	60,000 hr. at L ₇₀
CRI	>80 warm white / >70 cool white
Power Factor	>0.95
Color Temp (Kelvin)	3000 & 5000 Kelvin
Weight Range	40 - 41 lbs.
Dimensions	16.14" dia x 8.5" h
Warranty	5-Year Limited

Product Specifications

120 / 277 / 347 / 480 vAC

Certification	Ambient Temperature	T-Rating	IP Rating
Class I Division 1 Groups B, C, D	-25°C~+40°C (-13°F~+104°F)	T5	IP67
	-25°C~+55°C (-13°F~+131°F)	T4A	IP67
Class I Division 2 Groups A, B, C, D	-25°C~+40°C (-13°F~+104°F)	T3	IP67
	-25°C~+55°C (-13°F~+131°F)	T3	IP67
Class II Division 1 Groups E, F, G	+40°C (+104°F)	T4A	IP67
	+55°C (+131°F)	T4	IP67

Kelvin Based Lumen Output

	140 Watts	160 Watts	180 Watts	200 Watts	220 Watts	240 Watts
3000K	11,991 lm	13,750 lm	15,504 lm	17,050 lm	18,732 lm	20,435 lm
5000K	12,339 lm	14,003 lm	15,811 lm	17,505 lm	19,300 lm	21,006 lm

For **Non-Hazardous Applications**, Please refer to the following warranty guidelines:

65°C Max Temp * 240 Max Watts 5 Year Limited Warranty	85°C Max Temp 200 Max Watts 2 Year Limited Warranty	100°C Max Temp 180 Max Watts 1 Year Limited Warranty
---	---	--

*All 480vAC units max 65°C.

PRODUCT ORDERING SELECTION

<input type="text"/>	<input type="text"/>	<input type="text"/>	<input type="text"/>	<input type="text" value="FG"/>	<input type="text"/>	<input type="text"/>
Series	Type-Watts	Kelvin	Voltage	Lens	Mounting Options	Other Options
HTR16C1	<input type="checkbox"/> 140-140w <input type="checkbox"/> 200-200w	<input type="checkbox"/> 30-3000K	<input type="checkbox"/> 120-120vAC	<input type="checkbox"/> FG - Flat Glass (Tempered)	<input type="checkbox"/> AB - Adjustable Bracket (Wall & Ceiling Mount)	<input type="checkbox"/> FLC - Fluorocarbon Coating
HTR16C2	<input type="checkbox"/> 160-160w <input type="checkbox"/> 220-220w <input type="checkbox"/> 180-180w <input type="checkbox"/> 240-240w	<input type="checkbox"/> 50-5000K	<input type="checkbox"/> 277-277vAC <input type="checkbox"/> 347-347vAC <input type="checkbox"/> 480-480vAC		<input type="checkbox"/> MAA - Mast Arm Attachment	



The BOSS C Series HazLoc

HTR16C1 / HTR16C2

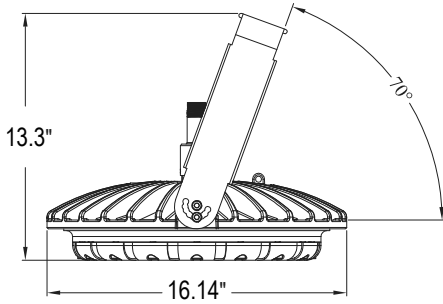


120vAC / 277vAC / 347vAC / 480vAC

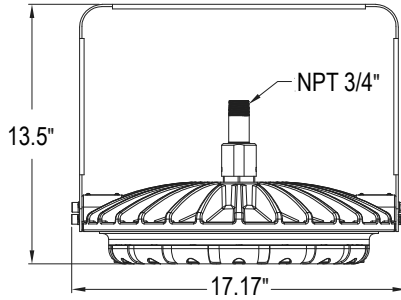


Stainless Steel Factory Installed
Cable Gland Standard for this Fixture.
Precision Machining and Torque Tested.

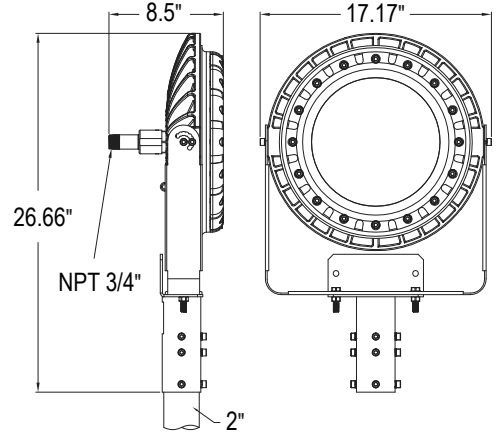
MOUNTING



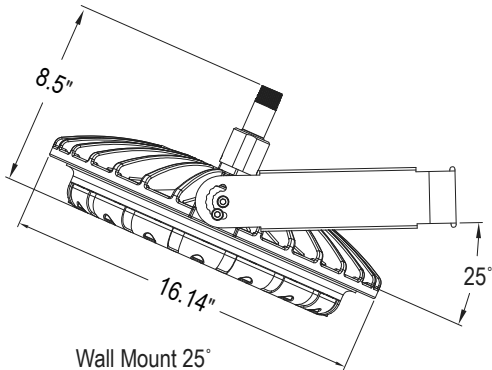
Hanging Mount 20°
AB



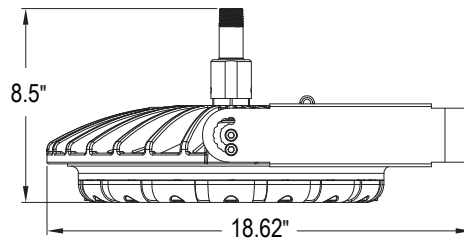
Hanging Mount 90°
AB



Mast Arm 90° (M90)
[Bending Electrical Tube]
MAA

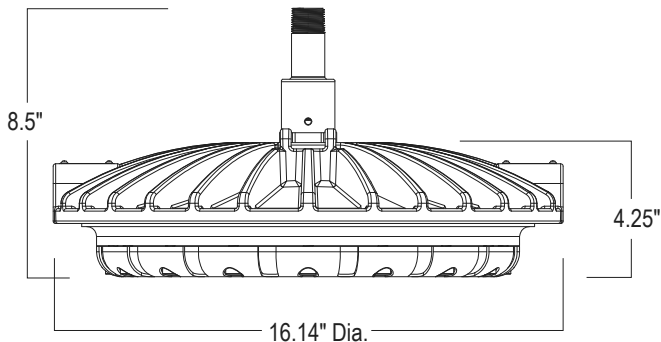


Wall Mount 25°
AB



Wall Mount 90°
AB

DIMENSIONS



Learn More About Class / Division with a Button Click.

