

# Directional<sup>®</sup>SERIES

CUT SHEET



## combo exit sign LIGHTING

Combo Wet Location LED Exit & Emergency Sign & Light

#CESCWL

120 - 277VAC

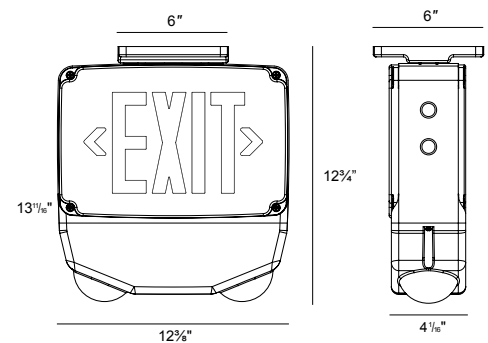
Catalog Number	Type
Notes	

**LED** commercial & Industrial performance LIGHTING EQUIPMENT



### KEY FEATURES & UNIQUE BENEFITS

- Long-life, energy efficient Red or Green LED EXIT sign illumination.
- 6V long life, maintenance free, rechargeable NiCd battery.
- Fully automatic solid-state, two rate charger initiates battery charging to recharge a discharged battery in 24 hours.



### SPECIFICATIONS

#### ELECTRICAL

- Dual 120/277V.
- Unique bi-color LED indicator light alerts occupant on battery condition (Green-normal, Red-check battery).
- 6V long life, maintenance free, rechargeable NiCd battery.
- Internal solid-state transfer switch automatically connects the internal battery to LED board and lampheads for minimum 90-minute emergency illumination.
- Fully automatic solid state, two rate charger initiates battery charging to recharge a discharged battery in 24 hours.

#### HOUSING

- 5VA flame retardant, UV stabilized polycarbonate in white, black or gray finish.
- High-impact resistant, UV stabilized polycarbonate clear lens.
- Corrosion resistant enclosure with engineering grade silicone gasket.
- Knockout's provided for conduit feed applications.
- EZ snap-out Chevron directional indicators.

#### MOUNTING

- Die-cast aluminum mounting canopy included for top or end mount
- Universal knockout pattern on back plate for wall mount.

#### OPTIONS

- SDT: Self-diagnostic feature performs monthly, biannual and annual tests to ensure reliable operation and meets electrical safety codes.
- TP: Tamper-proof hardware helps discourage unauthorized access.
- CW: Optional internal heater and battery blanket for extreme cold temperature applications (-20° C – 50° C).

#### WARRANTY/LISTING

- Five year warranty on all electronics and housing.
- Battery prorated for five years.

#### CERTIFICATIONS

- Meets UL924, NFPA 101 Life Safety Code, NEC, OSHA, Local and State Codes.
- UL listed for wet locations (0° C – 50° C).
- Certified to CEC under Title 20 Regulations.

### PRODUCT ORDERING SELECTION

CESCWL	—	—	—	—	—
<b>Model</b>	<b>Faces</b>	<b>Letter Color</b>	<b>Housing Color</b>	<b>Options</b>	
CESCWL	<input type="checkbox"/> 1 - Single Face <input type="checkbox"/> 2 - Double Face	<input type="checkbox"/> R - Red <input type="checkbox"/> G - Green	<input type="checkbox"/> W - White with White Faceplate <input type="checkbox"/> B - Black with Black Faceplate <input type="checkbox"/> G - Gray with Gray Faceplate	<input type="checkbox"/> RC - Remote Capacity <input type="checkbox"/> SDT - Self-Diagnostic (Battery Backup only) <input type="checkbox"/> TP - Tamper-Proof <input type="checkbox"/> CW - Cold Weather <input type="checkbox"/> CUSTOM - Custom Wording (Consult Factory)	



CESCWL 10.23.19

Specifications and data are subject to change without notice.