

# THE Sentinel

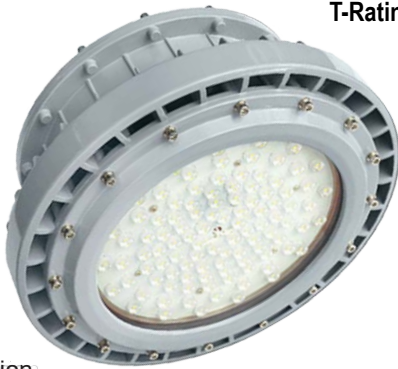
## #HJCR1L

120vAC or 277vAC or 480vAC

**Class/Division**

**C1/D1 C1/D2 C2/D1 C2/D2 C3**

**T-Ratings: T4**



High Vibration  
**RESISTANCE**

## LED hazardous LOCATION lighting EQUIPMENT

### KEY FEATURES & UNIQUE BENEFITS

- 16" Diameter design for incredible light output to large surface areas.
- Class 1 Division 1 - Groups C, D (Flammable Gases & Vapors).
- Class 1 Division 2 - Groups A, B, C, D (Flammable Gases & Vapors).
- Class 2 Division 1 - Groups E, F, G (Combustible Dusts).
- Class 2 Division 2 - Groups E, F, G (Combustible Dusts).
- Class 3 Divisions 1 & 2.
- Ambient temperature capabilities: -40°C to 60°C (140°F).
- Corrosion proof – Coated aluminum alloy (copper free) housing.
- Gray nylon corrosion resistant powder coat.
- Paint/Spray listed for use in paint or powder booths.



### SPECIFICATIONS

NAME	The Sentinel
Category	Round Explosion-Proof Light
Model #	HJCR1L
Voltage	120 - 277vAC or 347 - 480vAC
Class / Divisions	C1 / D1, Groups C, D C1 / D2, Groups A, B, C, D C2 / D1, Groups E, F, G C2 / D2, Groups E, F, G C3 / 1 & 2
Ambient Temperatures	-40°C to 60°C (149°F)
T - Rating	T4
Housing	Coated Copper Free Aluminum Alloy
Color	Gray
Lens	Flat Tempered Glass
IP Rating	IP66
Wattage	60w / 80w / 100w / 120w / 150w / 180w / 200w
Efficacy	Up to 140 lm/w

Lifetime	50,000 hr. at L70
CRI	>70 cool white
Beam Angle	40°, 60°, 90°, 120°
Power Factor	>0.95
Color Temp (Kelvin)	4000 & 5000 Kelvin
Weight	26 lbs.
Dimensions	16" diameter x 13.4"
NPT	¾"
Warranty	5-Year Limited

60 watts	8,400 Lumens
80 watts	11,200 Lumens
100 watts	14,000 Lumens
120 watts	16,200 Lumens
150 watts	20,250 Lumens
180 watts	24,300 Lumens
200 watts	27,000 Lumens

### PRODUCT ORDERING SELECTION

<input type="text"/>	<input type="text"/>	<input type="text"/>	<input type="text"/>	<input type="text"/>	<input type="text"/>	<input type="text"/>
<b>Series</b>	<b>Type-Watts</b>	<b>Kelvin</b>	<b>Voltage</b>	<b>Beam Angle</b>	<b>Mounting Options</b>	<b>Other Options</b>
HJCR1L	<input type="checkbox"/> 060 - 60 Watts <input type="checkbox"/> 080 - 80 Watts <input type="checkbox"/> 100 - 100 Watts <input type="checkbox"/> 120 - 120 Watts <input type="checkbox"/> 150 - 150 Watts <input type="checkbox"/> 180 - 180 Watts <input type="checkbox"/> 200 - 200 Watts	<input type="checkbox"/> 40 - 4000K <input type="checkbox"/> 50 - 5000K	<input type="checkbox"/> U - 120 - 277v <input type="checkbox"/> 48 - 347 - 480v	<input type="checkbox"/> 40 - 40° <input type="checkbox"/> 60 - 60° <input type="checkbox"/> 90 - 90° <input type="checkbox"/> 120 - 120°	<input type="checkbox"/> HJWA - Wall Arm <input type="checkbox"/> HJPS90 - 90° Pole Stanchion <input type="checkbox"/> HJTB - Trunnion <input type="checkbox"/> HJCJB - Ceiling Junction Box <input type="checkbox"/> HJPP - Pendant Pipe <input type="checkbox"/> HJPS25 - 25° Pole Stanchion	<input type="checkbox"/> HJDR - Dome Reflective Hood <input type="checkbox"/> HJAR - Angled Reflective Hood

MOUNTING



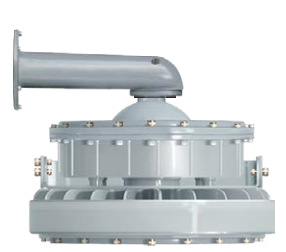
Trunnion Bracket - #HJTB



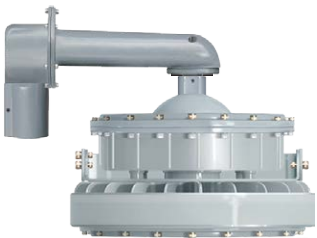
Ceiling Junction Box - #HJCJB



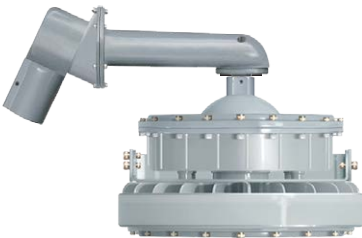
Pendant Pipe - #HJPP



Wall - #HJWA



90° Pole Stanchion - #HJPS90



25° Pole Stanchion - #HJPS25

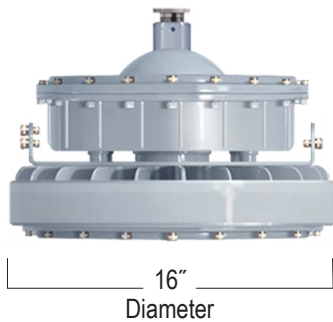


Dome Reflective Hood - #HJDR



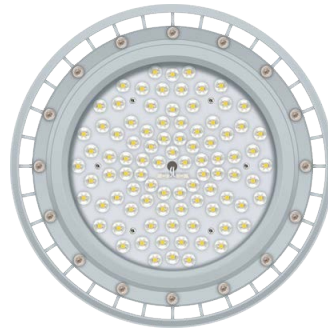
Angled Reflective Hood - #HJAR

DIMENSIONS



16"  
Diameter

13.4"  
Height



16"  
Diameter

