

THE **Mariner**

#HQB2
120 - 277vAC or 346 - 480vAC

Catalog Number	Type
Notes	

LED hazardous LOCATION lighting EQUIPMENT

Class/Division
C1/D2

T-Ratings: **T4**



KEY FEATURES & UNIQUE BENEFITS

- HazLoc ambient temperature capabilities: -25°C to 40°C (104°F).
- Heavy-Duty Die Cast Aluminum Housing.
- Tapped Conduit Entry All Four Sides.
- Gray Powdercoat Finish Over a Chromate Conversion Coating.
- Clear or Opal Polycarbonate Vandal-Resistant Lens.
- Class 1 Division 2 (Flammable Gases & Vapors).
- Internal Surge Protection - 6kV.
- Easy installation and maintenance.
- Also available as Non-HazLoc Harsh Location.

Typical applications include walkways, stairwells, hallways, loading docks, wet locations and hazardous areas.



SPECIFICATIONS

NAME The Mariner 2
 Category Hazardous Area Linear Lighting
 Model # HQH2
 Voltage 120 - 277vAC
 Class / Divisions C1 / D2, Groups A, B, C, D
 Ambient Temperatures -25°C to 40°C (104°F)
 T - Rating T4
 Housing Marine Grade Aluminum Alloy
 Color Gray
 Lens Clear Polycarbonate Vandal-Resistant Lens
 Opal Polycarbonate Vandal-Resistant Lens
 Wattage 58w, 77w
 Lifetime 170,000 hr. at L₇₀ (25°C)
 CRI >70 cool white
 Power Factor >0.90

Color Temp (Kelvin) 4000 & 5000 Kelvin
 Dimensions 25.85" x 4.13" H (Body is 6.46" H)
 NPT 1/2"
 Warranty 5-Year Limited

MODEL	DESCRIPTION	WATTAGE	CLEAR LENS	OPAL LENS
HQH2-058	Open Face	58	7,309 Lm	5,932 Lm
HQH2-077	Open Face	77	10,294 Lm	8,356 Lm

PRODUCT ORDERING SELECTION

- - - - - - -

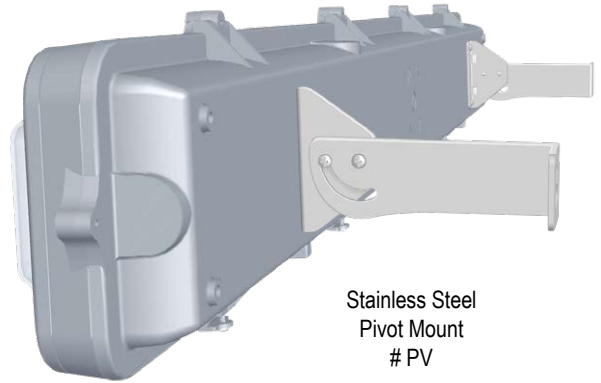
Series HQ	Frame Type <input type="checkbox"/> H2 - Open	Wattage <input type="checkbox"/> 058 - 58 Watts <input type="checkbox"/> 077 - 77 Watts	Kelvin <input type="checkbox"/> 40 - 4000K <input type="checkbox"/> 50 - 5000K	Lens <input type="checkbox"/> PC - Clear Polycarbonate <input type="checkbox"/> LPC - Opal Polycarbonate	Voltage <input type="checkbox"/> U - 120-277 <input type="checkbox"/> 48 - 347-480	Color <input type="checkbox"/> GR - Gray (Standard)	Mounting Options <input type="checkbox"/> YK-Yoke <input type="checkbox"/> PV-Pivot Mount
---------------------	---	--	---	---	---	---	--



MOUNTING



Stainless Steel Yoke
YK



Stainless Steel
Pivot Mount
PV

The Mariner Hazardous Location Light requires the Stainless Steel Pivot Mount or Yoke Mount in order to maintain its Hazardous Location Certification.

DIMENSIONS

