

# CS

# canopyLIGHTING

## Gas Station & Canopy Lighting

### #CS

120 - 277vAC

CUT SHEET

 SOLAS RAY™ LIGHTING

Catalog Number	Type
Notes	

**LED** commercial & Industrial performance LIGHTING EQUIPMENT

Operating Temperature  
-30°C to +45°C



### KEY FEATURES & UNIQUE BENEFITS

- A viable solution as a low profile Gas Station canopy light with low wattage illumination.
- Can be ordered with factory installed Motion Sensor & Lightning Guard.
- Lightweight cast aluminum with clean, white powdercoat finish.
- Specifically designed with a wide 18.9" low profile to deliver optimal light.
- A viable solution for Gas Station canopy lighting with 150 plus lumens per watt.
- Cooling ports dissipate heat.
- Type V light distribution.



IP65



### SPECIFICATIONS

<b>Name</b>	CS Canopy Light
<b>Category</b>	Gas Station & Canopy Lighting
<b>Model</b>	#CS
<b>Color</b>	White Corrosion Resistant Nylon Powdercoat
<b>Housing</b>	Die-Cast Aluminum
<b>Voltage</b>	120-277vAC
<b>Ambient Temperature</b>	Ambient -30°C to 45°C (113°F)
<b>Lens</b>	Flat Tempered Glass Lens
<b>IP Rating</b>	IP65
<b>Wattage</b>	150w / 200w
<b>Efficacy</b>	150 Lumens per Watt
<b>Lifetime</b>	100,000 hr. at L70
<b>CRI</b>	Ra≥70
<b>Power Factor</b>	>0.95
<b>Color Temp (Kelvin)</b>	5000 Kelvin

<b>Weight</b>	19.4 lbs.
<b>Dimensions</b>	18.88" x 18.88" x 1.63"
<b>Warranty</b>	5-Year Limited

150 watts	22,945 Lumens
200 watts	30,749 Lumens

### PRODUCT ORDERING SELECTION

<b>CS</b>	<input type="checkbox"/>	<b>50</b>	<b>U</b>	<b>WT</b>
Series	Type-Watts	Kelvin	Voltage	Color
CS	<input type="checkbox"/> 18-150 - 150w <input type="checkbox"/> 23-200 - 200w	<input type="checkbox"/> 50 - 5000K	<input type="checkbox"/> U - 120-277	<input type="checkbox"/> WT - White

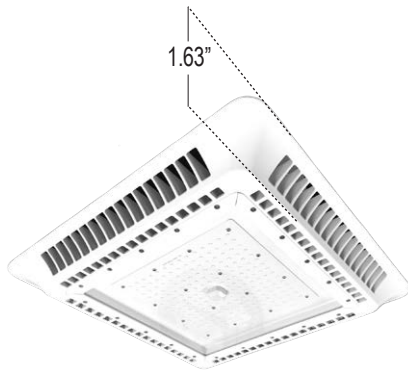


IND CS120 5.7.20

Specifications and data are subject to change without notice.

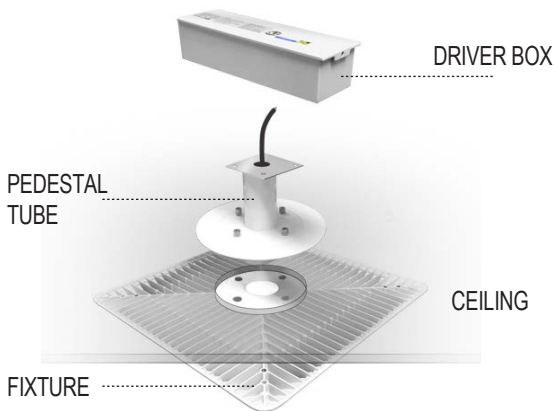
**PHOTOMETRY**

Surface Mount



Access hole required to wire the Driver.

8 inches of clearance is needed within the canopy.



**DIMENSIONS**

