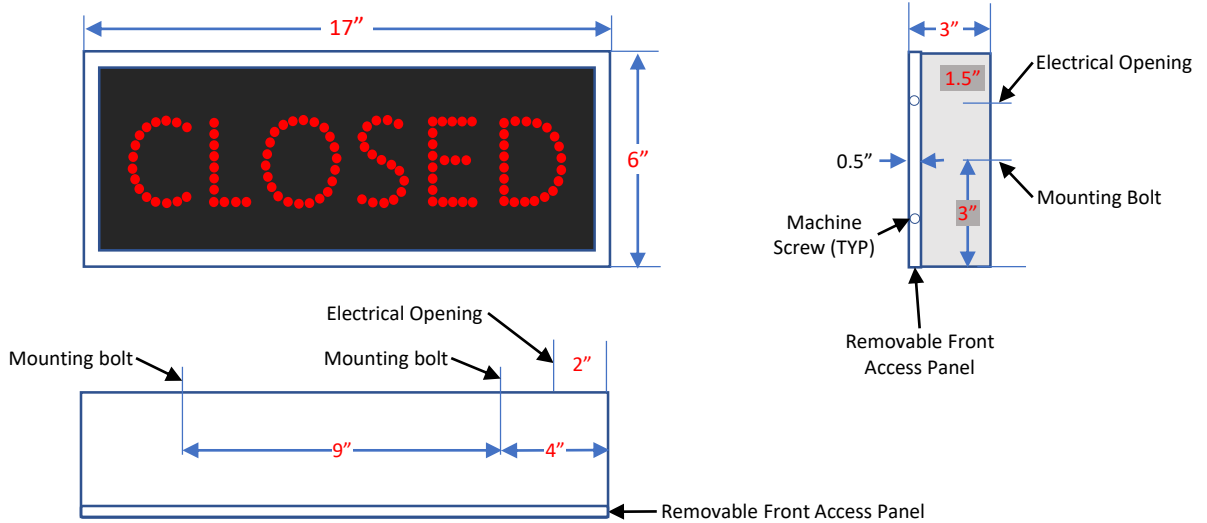




## Model 617-LED OPEN/CLOSED Construction and Installation

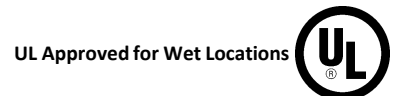
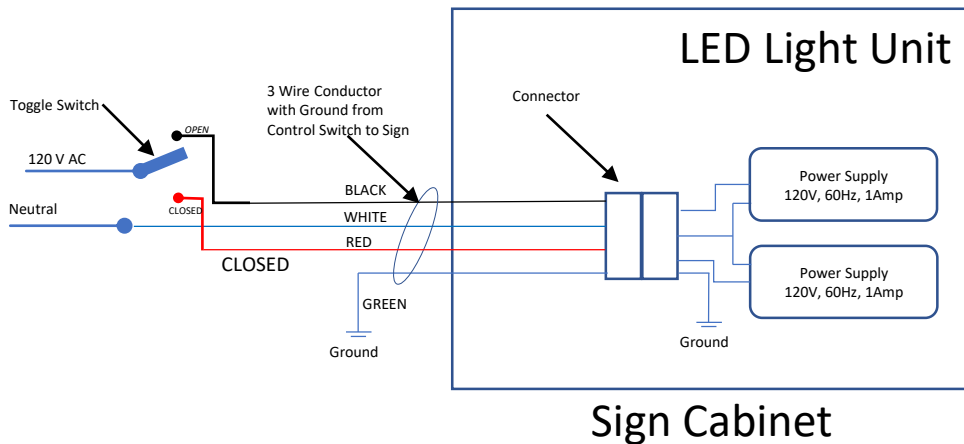
The model 617-LED OPEN/CLOSED sign can be surface mounted directly to the building structure or recess mounted. Surface mounting options include rear, ceiling and side mounting. An optional bracket is also available for ceiling mounting.



## Model 617-LED OPEN/CLOSED Electrical Installation

Electric service for the Model 617-LED OPEN/CLOSED sign requires a 3-wire cable, plus ground, for 120 VAC, 1 amp service. Electrical hook-up can be made inside the sign cabinet. A 3-position, ON-OFF-ON switch is required inside the building for controlling the sign message.

This sign is intended to be installed in accordance with the requirements of Article 600 of the National Electrical Code and /or other applicable local codes. This includes proper grounding and bonding of the sign.



## WARRANTY

The model 617-LED OPEN/CLOSED sign is guaranteed to be free from defects in material and workmanship for a period of 60 months, with the exception of the circuit board and its components. The circuit board and its components are guaranteed to be free from defects in material and workmanship for a period of 36 months. Our obligation is limited to providing free replacement parts or a replacement sign at our option.