



HIGH TEMPERATURE VENTLESS FRONT LOADING SINGLE RACK DISHWASHER

180-VL-FL

High Temperature
Front Loading Dishwasher



CMA MODEL: 180-VL-FL

The "Ventless" option is a Heat Recovery Condensation Removal System:

Captures and distributes normally exhausted heat from the wash/rinse tank, using this FREE energy to pre-heat cold water prior to feeding the booster heater. Water entering the booster heater has been preheated, reducing the energy cost to bring booster temperature to required 180 degrees, potentially saving THOUSANDS of \$dollars\$ in operating costs.

NO VENT HOOD REQUIRED: Saves THOUSANDS \$ on installation.

FEATURES

- 75% less floor space than traditional Dishmachines (compact space-saving design) requires no entry or exit tables
- Requires only 7.1 square feet of floor space (door closed)
- Front loading door design provides optimal working height for easy loading and unloading of dishes
- Replaces need for independent Vent Hood
- Heat Recovery System captures hot water vapor from wash and rinse cycles, and condenses them to heat incoming cold water while efficiently evacuating steam from wash chamber
- Final Rinse Valve receives cold water (41-65°F) that is processed through a "Heat Recovery System" providing nearly cost-free heating capabilities for water supplied to the Booster Heater, which reduces the heat recovery time for the Booster Heater.
- 170 second cycle (60 second wash/rinse and 110 second steam evacuation)
- 21 racks per hour/Standard 20"X20" racks
- ENERGY STAR water-saving design (0.89 gals of water per cycle)
- Water level safety control
- Wash tank screens filter recirculating wash water, preventing soil from clogging Spray Arms
- Safe-T-Temp feature assures 180°F sanitizing rinse every cycle
- 6kW Wash Tank Heater
- 12kW Electrical Booster Heater
- Booster-safety thermostat
- Large 16" dish clearance
- Interchangeable components compatible with other CMA products
- Rinse Pressure Regulating Valve (PRV)
- Automatic Heat Exchanger Condenser and Wash-down feature
- FREE (1ea) Peg and Flat Rack
- Dual-power Supply Connections
- Door Safety Interlock
- Alternative Electrical Available
- Dual Power Supply Connection



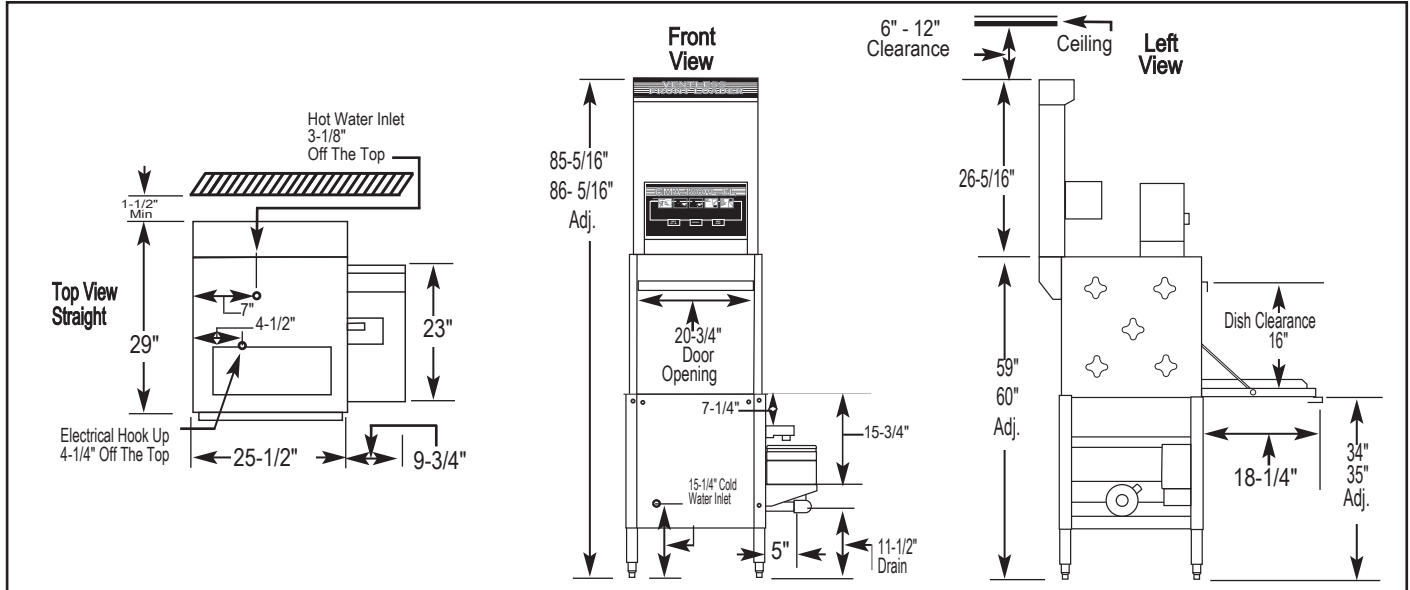


CMA-180VL-FL (Front Loader)

High Temperature Single Rack Dishwasher

WARNINGS:

- Plumbing connections must be made by a qualified service company who will comply with all available Federal, State, and Local Health, Plumbing and Safety codes.
- CMA recommends utilizing a water softening system to maintain water hardness measurements of 3.5 gpg (grains per gallon) or less. This will assure maximum results and optimum operation of the dishmachine.



Specifications:

MODEL CMA-180-VL-FL	USA	METRIC	USA	METRIC
WATER CONSUMPTION				
PER RACK (MAX)	.89 GAL	(3.37 L)		
PER HOUR	19 GPH	(72 L)		
OPERATING CYCLE				
WASH TIME - SEC.	49	49		
RINSE TIME - SEC.	12	12		
STEAM EVACUATION	30	30		
TOTAL CYCLE	90	90		
OPERATING CAPACITY				
RACKS PER HOUR	21	21		
WASH TANK CAPACITY	8 GAL.	(30.3 L)		
PUMP CAPACITY	52 GPM	(197 LPM)		
WATER REQUIREMENTS				
COLD WATER	41-65°F	(5°C-18°C)		
HOT WATER	120°F-140°F	(49°C-60°C)		
DRAIN CONNECTION	2"	(5.1cm)		
RINSE PRESSURE SET	20 ±.5psi	(1.41 kg/cm²)		
HOT WATER INLET	1/2"	(1.3cm)		
COLD WATER INLET	1/2"	(1.3cm)		
OPERATING TEMPERATURE				
WASH-°F (MIN)	155°F-160°F	(68°C-71°C)		
RINSE-°F (MIN)	180°F-195°F	(82°C-90°C)		
HEAT LOAD TO ROOM (BTU/HR)				
	LATENT 7,986			
	SENSIBLE 5,005			
WASH PUMP MOTOR HP			1	1
DIMENSIONS				
DEPTH	29"	(76.7cm)		
WIDTH (OUTSIDE DIMENSION)	25-1/2"	(65cm)		
HEIGHT	85-5/16"-86-5/16"	(216-217cm)		
STANDARD TABLE HEIGHT	34"	(86.3cm)		
MAX CLEARANCE FOR DISHES	16"	(43.2cm)		
MINIMUM FAN CLEARANCE	6"	(15.2)		
DRAIN CONNECTION (OFF FLOOR)	11-1/2"-12-1/2"	(29-32cm)		
STANDARD DISHRACK			1	1
DIMENSIONS	20" x 20"	(50.8 X 50.8cm)		
ELECTRICAL RATING	VOLTS	PHASE	AMPS	
INCLUDES	208	1	78	
REQUIRED 12kW	240	1	88	
BOOSTER	208	3	49	
	240	3	55	
	480	3	25	
APPROXIMATE SHIPPING WEIGHT			520#	(236kg)

Summary Specifications: Model CMA-180-VL-FL

The model CMA-180-VL-FL single tank, high temperature dishwasher is designed for years of trouble free service, producing sparkling results while conserving energy, water and chemicals. This machine is supplied with a built-in 12 kW booster heater required for "Ventless" feature to function. Unique soil purging system filters wash water and plate debris into an external tray. The CMA-180-VL-FL is NSF, UL, and CUL approved. Constructed entirely of stainless steel.

Advisory: CMA does NOT endorse "Tankless On-Demand" water heaters for use on CMA Dishmachine products. CMA DOES endorse, and highly recommends, the standard "tank" style water heaters, sized properly to handle each particular facility with their water heating requirements.



CMA Dishmachines 12700 Knott Street Garden Grove, CA 92841 • 800-854-6417 • 714-898-8781 • Fax: 714-895-2141 • www.cmadishmachines.com

CMA reserves the right to modify specifications or discontinue models without prior notification.

© 7-2021 CMA, Inc.

an Ali Group Company



The Spirit of Excellence