

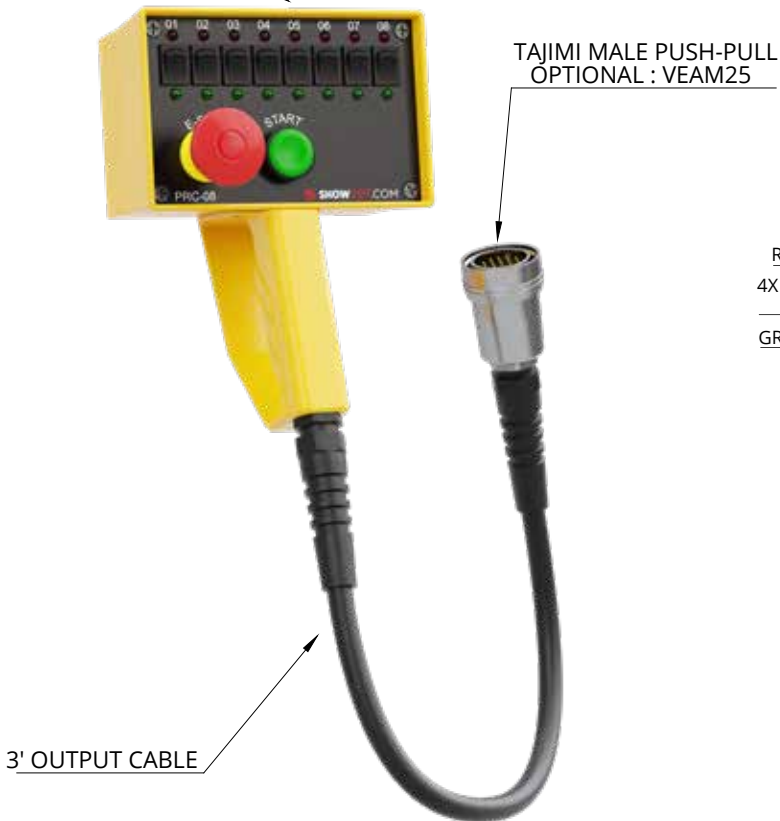
VSD-PRC-8

PENDANT



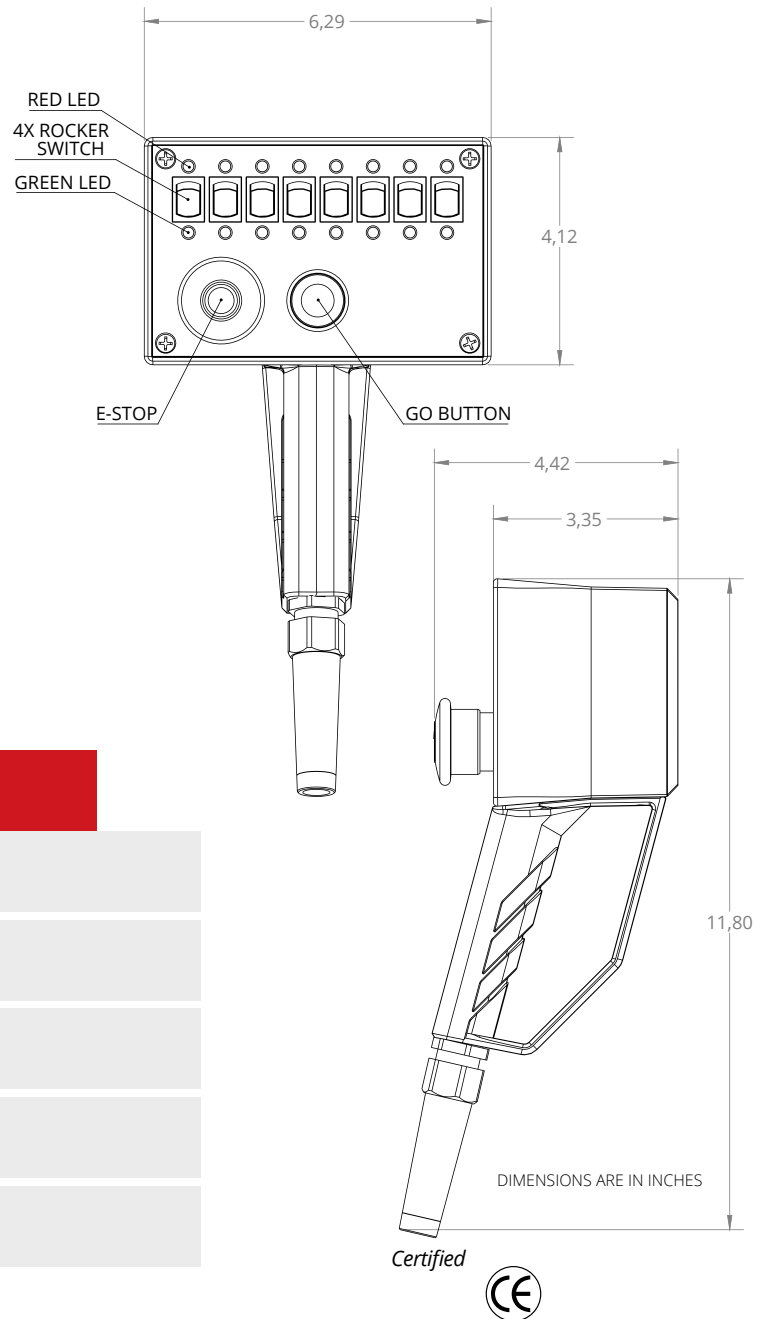
PENDANT CONTROL 8 CHANNEL VSD-PRC-8

PISTOL GRIP
ENCLOSURE



This manual pendant can run any of our 8 Way Hoist Controllers. The pendant is supplied with an E-stop button and also an on/off keyswitch as an option.

Made of a durable yellow plastic with engraved markings. The line offers hardwired cable and detached cable models. They are used in all the applications. The pendant can be supplied with Tajimi or Veam connector.



The Standard configuration comes with:

FEATURES

- Integrated E-Stop Button
- Tajimi or Veam Connector Output
- Up/Down Rocker Switch 24V Red and Green
- Go push buttons
- IP44 rated enclosure