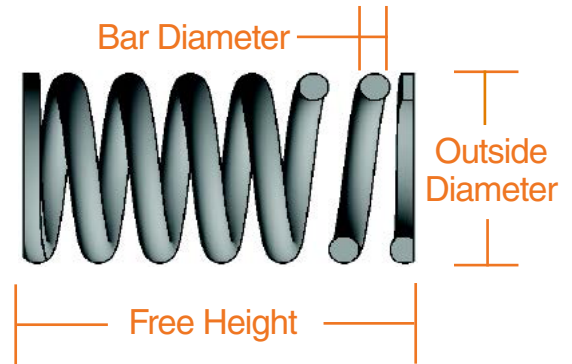




Since 1908, Alco Spring Industries, Inc. has been manufacturing quality hot wound coiled springs. Our continuing commitment to quality, innovation and complete customer satisfaction is “built into” every product we manufacture. We offer high quality hot wound coiled springs with current capabilities:

- Bar Diameter: 5/8” up to 4”**
- Free Height: up to 60”**
- Outside Diameter: 1.5” to 26”**
- Spring Weight: 1 lb. to 2000 lbs.**



We are committed to continually improving and expanding our capabilities in order to meet your needs.



PRODUCTION

Alco’s integrated manufacturing lines are in continuous operation in our 150,000 sq. ft. facility. Production output, depending on the size and specifications of the springs, can vary from one spring up to hundreds of thousands of springs.



QUALITY

We are a certified quality manufacturer that meets the quality control requirements of both the NAPM and the AAR as specified in M-1003 as well as being ISO 9001 certified. Alco is committed to providing you with superior products and services and strives to continuously improve our quality.



CUSTOM DESIGNS

Our engineers are continually designing special springs for specific applications in a continuously growing market. Take advantage of our expertise and let us help you design and supply all of the springs you may need.



ALCO STANDARD SPRING DESIGN:

1. Material:

- 5160H Steel
- 4161H Steel

2. Manufacturing Specifications:

- ASTM A-125
- AAR M-114

3. Load Testing:

- AQL 1 (sample plan)
- Free Height
- Squareness
- Load Heights
- Rate

4. Paint:

- Clearcoat Waterbase
- Black Waterbase

5. Identification:

- Hot Stamp per standards under Manufacturing Specifications

6. Ground Ends:

- 2/3 Bearing per standards under Manufacturing Specifications

7. Packaging:

- Heat Treated Box/Pallet

Alco welcomes additional custom specifications & is familiar with:

- Magnetic Particle Inspection (wet or dry)
 - Custom Hot Stamps
 - Lateral Testing
 - 3/4 Bearing
 - 51B60H Steel
 - Test Reports
 - Powder Coating
- 