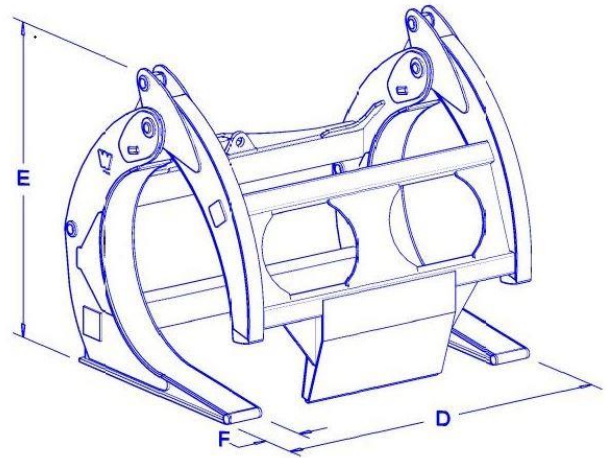
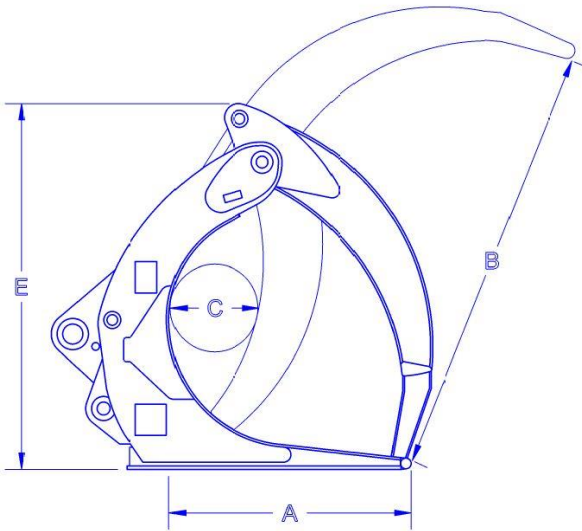




WVG Log Grapple

The Wicker model **WVG Log Grapple** with its exceptional strength and uncompromising quality is designed to comfortably handle the most severe logging and Millyard applications. The tines, made of solid T-1 material, offer maximum strength and excellent resistance to impact and abrasion. The entire fork is made of high-strength steel to provide years of trouble free service. The clamp is shaped to insure quick loading and unloading of large diameter and tree-length logs. The back frame is curved to allow logs to roll high into the grapple so when the frame is racked back the load's Center of gravity is brought closer to the machine. Equipped with optional tine rollers, the **WVG Log Grapple** becomes an excellent tool for handling poles.



| Loader Class: | 400 | 500 | 600 | 700 |
|--------------------|-------|-------|-------|-------|
| A. Tine Reach | 50" | 50" | 57" | 65" |
| B. Maximum Opening | 92" | 92" | 98" | 110" |
| C. Minimum Opening | 18" | 18" | 20" | 22" |
| D. Overall Width* | 87" | 87" | 96" | 96" |
| E. Back Height | 78" | 78" | 85" | 93" |
| F. Tine Width | 9.5" | 9.5" | 10" | 10.5" |
| Weight (Lbs.) | 5,200 | 6,100 | 7,000 | 8,900 |

*Custom widths are available.

Wicker Machine Company

Hollandale, MS • 1-800-748-9476 • wickermachinecompany.com