

# MAGNETIC LATCHING RELAYS



## T-BAR MULTI-CONTACT MAGNETIC LATCHING RELAYS

Pulse operated and magnetically bi-stable with the advantages of eliminating power waste during long periods in an operated position, and maintenance of circuit integrity during a power loss. These relays are the same physical size as T-Bar relays which require continuous power and are available in the same contact configurations. The switching and reliability specifications are identical with two control configurations available.

### TWO CONTROL CONFIGURATIONS AVAILABLE:

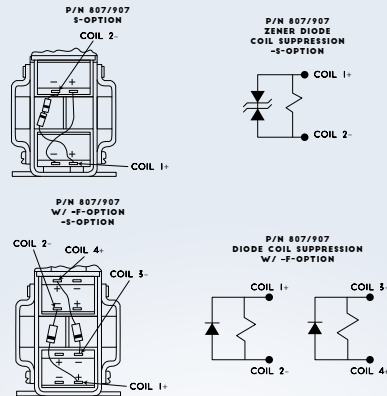
- 1) **POLARITY INVERSION** control is standard. The relay is driven into the set or rest (latch or unlatch) position by inverting the polarity of the control voltage.
- 2) **BIFILAR**, a two coil operation, can be supplied to latch or unlatch using the same polarity DC control voltage.

### SPECIFICATIONS:

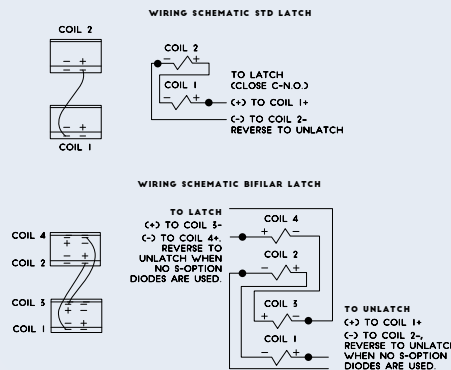
- **SEAL TYPE:** Dust-Tight
- **# OF POLES:** 12, 24, 36, 48 and 52 pole configurations.
- **COIL VOLTAGE:** 6, 12, 24, 28, 48 and 110 Volts DC + 115 Volts AC
- **TYPE OF CONTACTS:** 800 Series (5 Amp) or 900 Series (1 Amp)
- **CONTACT FORM:** A, B, C, D
- **CUSTOM OPTIONS:** Magnetically-Shielded Coil, Logic Control (hybrid), Bifilar Coils, Coil Terminal Placement, High-Insulation Resistance, Coil Suppression and High Dielectric

## TECHNICAL DIAGRAMS

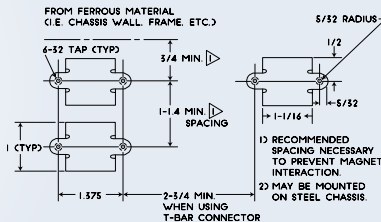
### SUPPRESSION DIAGRAMS



### CONTROL DIAGRAMS



### MOUNTING INFORMATION



**2 CONTROL CONFIGURATIONS AVAILABLE.**

## ORDER INFORMATION

We are a proven legacy-run product specialist partner ready to fulfill your sourcing requirements. Reach out to discuss how our professional team can be of service to you. Our full-service capabilities include design, development and manufacturing excellence for whatever your company procurement needs may be. Our customization options will put you ahead of the competition. Trust your company to 50+ years of providing quality, made in the U.S. products by our family-owned and operated business. Connect today at [info@occorp.com](mailto:info@occorp.com) or call (847) 742-3566.



**PART NO.:** 807-12C-28  
**T-BAR SERIES:** 807  
**NO. OF CONTACTS:** 12  
**CONTACT FORM:** C  
**COIL VOLTAGE:** 28

**PART NO.:** 907-12C-28  
**T-BAR SERIES:** 907  
**NO. OF CONTACTS:** 12  
**CONTACT FORM:** C  
**COIL VOLTAGE:** 28