

DUST-TIGHT RELAY SERIES



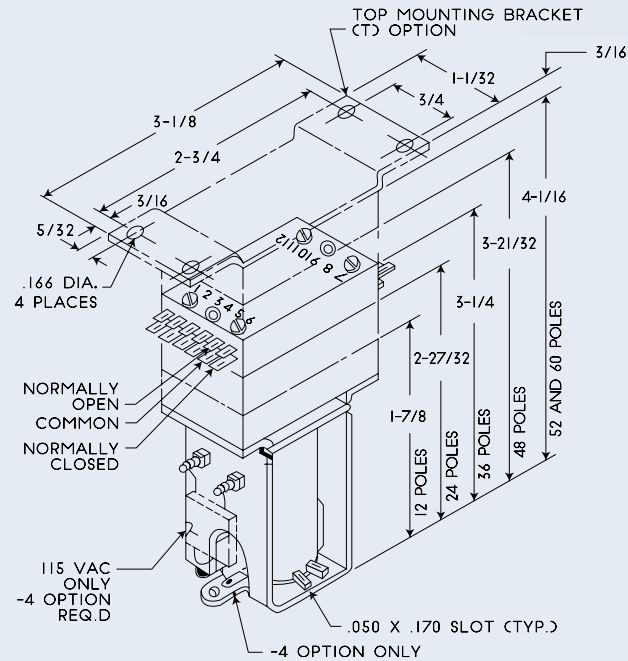
SWITCH MORE CIRCUITS IN LESS SPACE with our 12-pole switching wafer is the ultimate solution to the problem of multi-circuit switching— whether it is gang switching, circuit selection or matrix switching. Designed to protect against normal ambient dust conditions and developed for use in controlled environments such as test areas, computer control rooms, broadcast studios and network management centers. Wafers are stacked on solenoid type actuators to produce relays which are manufactured in configurations of 4, 8, 12, 24, 36, 48 and 60 Form A, normally open, and 52 Form C, Double Throw. Form B, normally closed switching, is also available in the same number of contacts. T-Bar switches come in multi-contact options: 900 SERIES (1 Amp) or 800 SERIES (5 Amp). 100% quality tested guarantee.

SPECIFICATIONS:

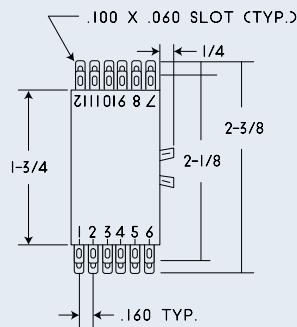
- **SEAL TYPE:** Dust-Tight
- **# OF POLES:** 4, 8, 12, 24, 36, 48, 52 and 60
- **COIL VOLTAGE:** 6, 12, 24, 28, 48 and 110 Volts DC + 115 Volts AC
- **TYPE OF CONTACTS:** 800 Series (5 Amp) or 900 Series (1 Amp)
- **CONTACT FORM:** A, B, C, D
- **PROTECTED** against normal ambient dust conditions.
- **SWITCHES MORE CIRCUITS** in less space.



TECHNICAL DIAGRAM

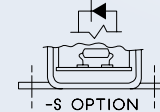


52 POLES USES ONLY
POLES NOS. 1, 6, 7 AND 12
ON TOP DECK

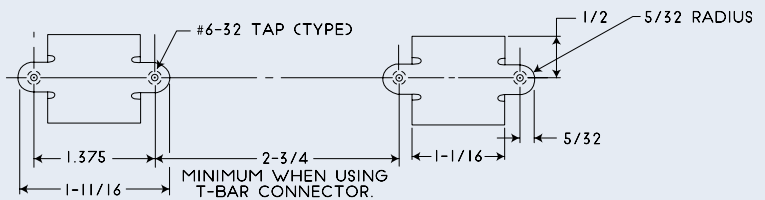


**SWITCH MORE
CIRCUITS
IN LESS SPACE.**

-S OPTION



MOUNTING INFORMATION



ORDER INFORMATION

We are a proven legacy-run product specialist partner ready to fulfill your sourcing requirements. Reach out to discuss how our professional team can be of service to you. Our full-service capabilities include design, development and manufacturing excellence for whatever your company procurement needs may be. Our customization options will put you ahead of the competition. Trust your company to 50+ years of providing quality, made in the U.S. products by our family-owned and operated business. Connect today at info@occpr.com or call (847) 742-3566.

PART NO.: 801/901-12C-28
T-BAR SERIES: 801/901
NO. OF CONTACTS: 12
CONTACT FORM: C
COIL VOLTAGE: 28