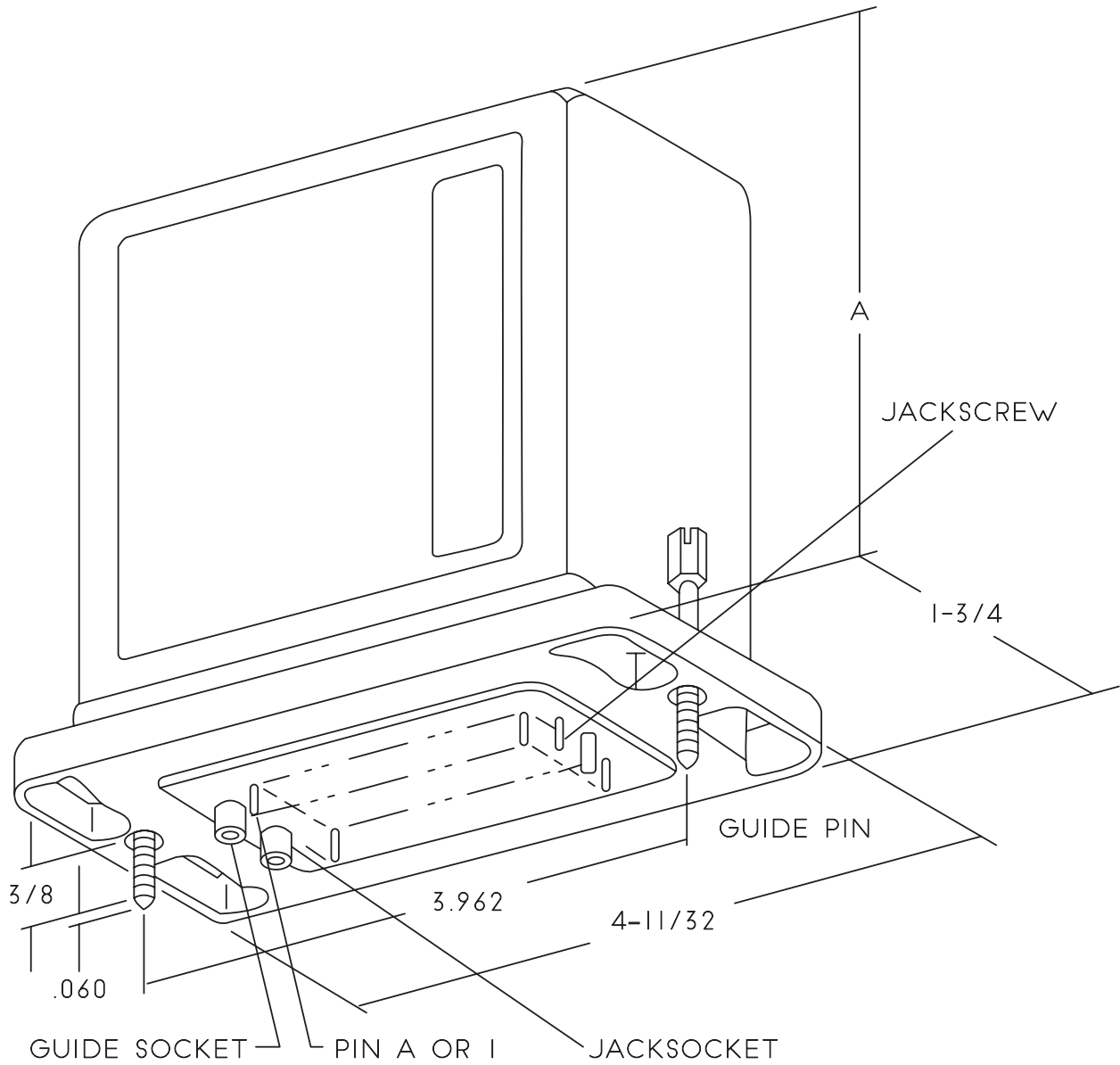




HERMETICALLY-SEALED RELAYS

881/981 TECHNICAL DIAGRAM 01





HERMETICALLY-SEALED RELAYS

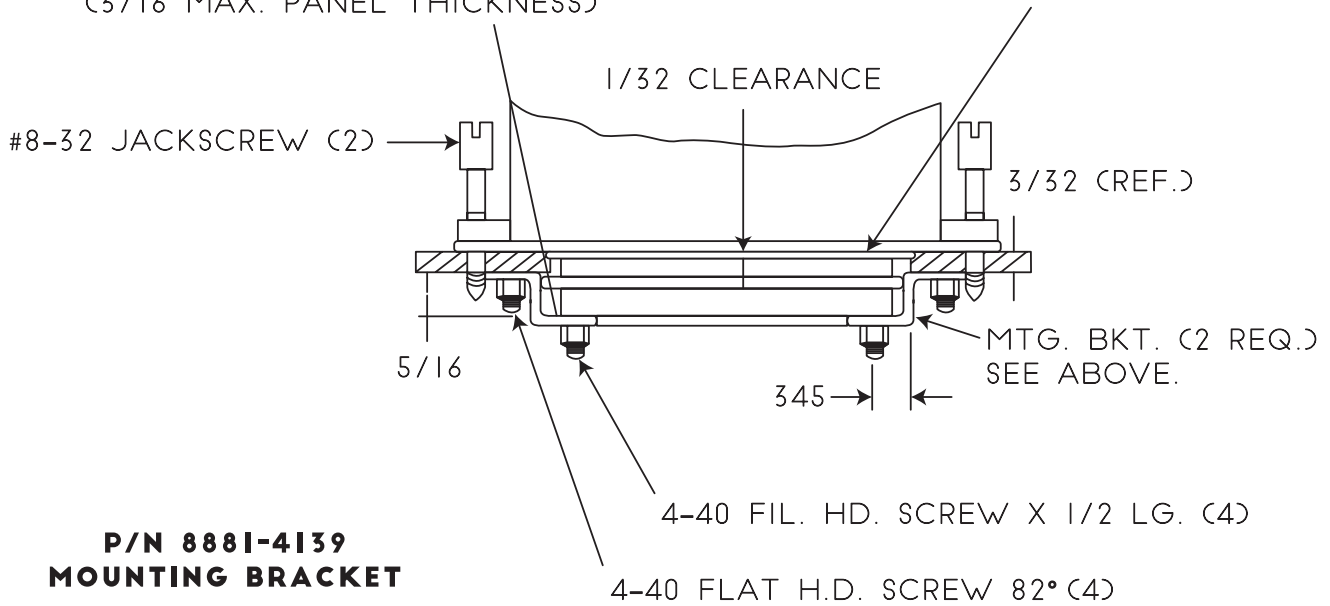
881/981 TECHNICAL DIAGRAM 02

TYPE I CONNECTOR MOUNTING

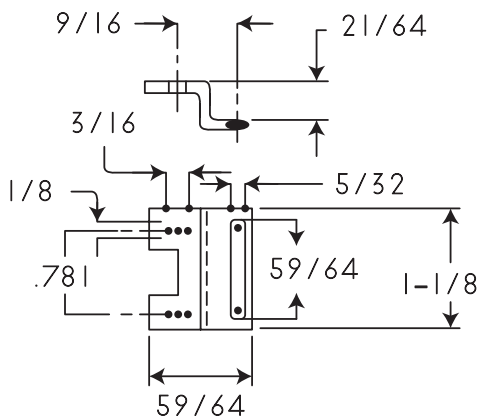
- A) MOUNT CONNECTOR FIRST
- B) THEN ENGAGE T-BAR

ADD SPACERS TO ACCOMODATE PANELS
OTHER THAN 3/32 THICK
(3/16 MAX. PANEL THICKNESS)

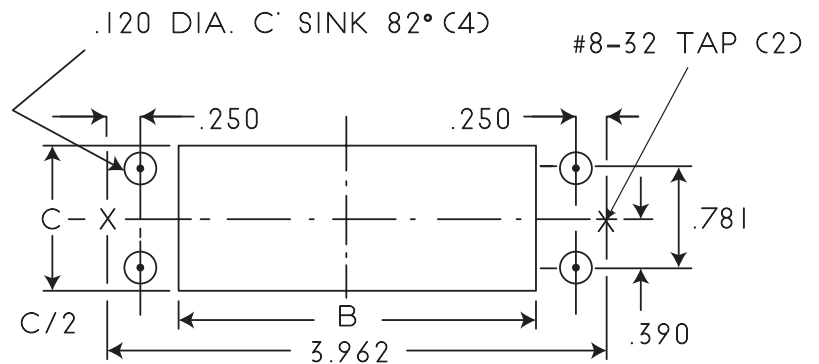
MATING CONNECTOR
(SEE TABLE)



P/N 8881-4139 MOUNTING BRACKET



PANEL CUTOUT



SCREW JACK HARDWARE ON MATING CONNECTOR.
MUST BE LEFT OUT WHEN CONNECTOR IS PANEL MOUNTED
(75 & 104 PIN CONNECTORS ONLY)



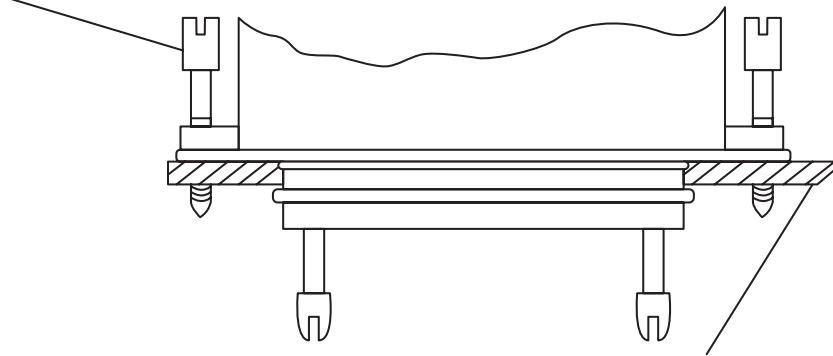
HERMETICALLY-SEALED RELAYS

881/981 TECHNICAL DIAGRAM 03

TYPE II CONNECTOR MOUNTING

- A) MOUNT T-BAR FIRST
- B) THEN ENGAGE CONNECTOR

#8-32 JACKSCREW (2)



PANEL CUTOUT

3/16 MAX. PANEL THICKNESS

#8-32 TAP (2)

