



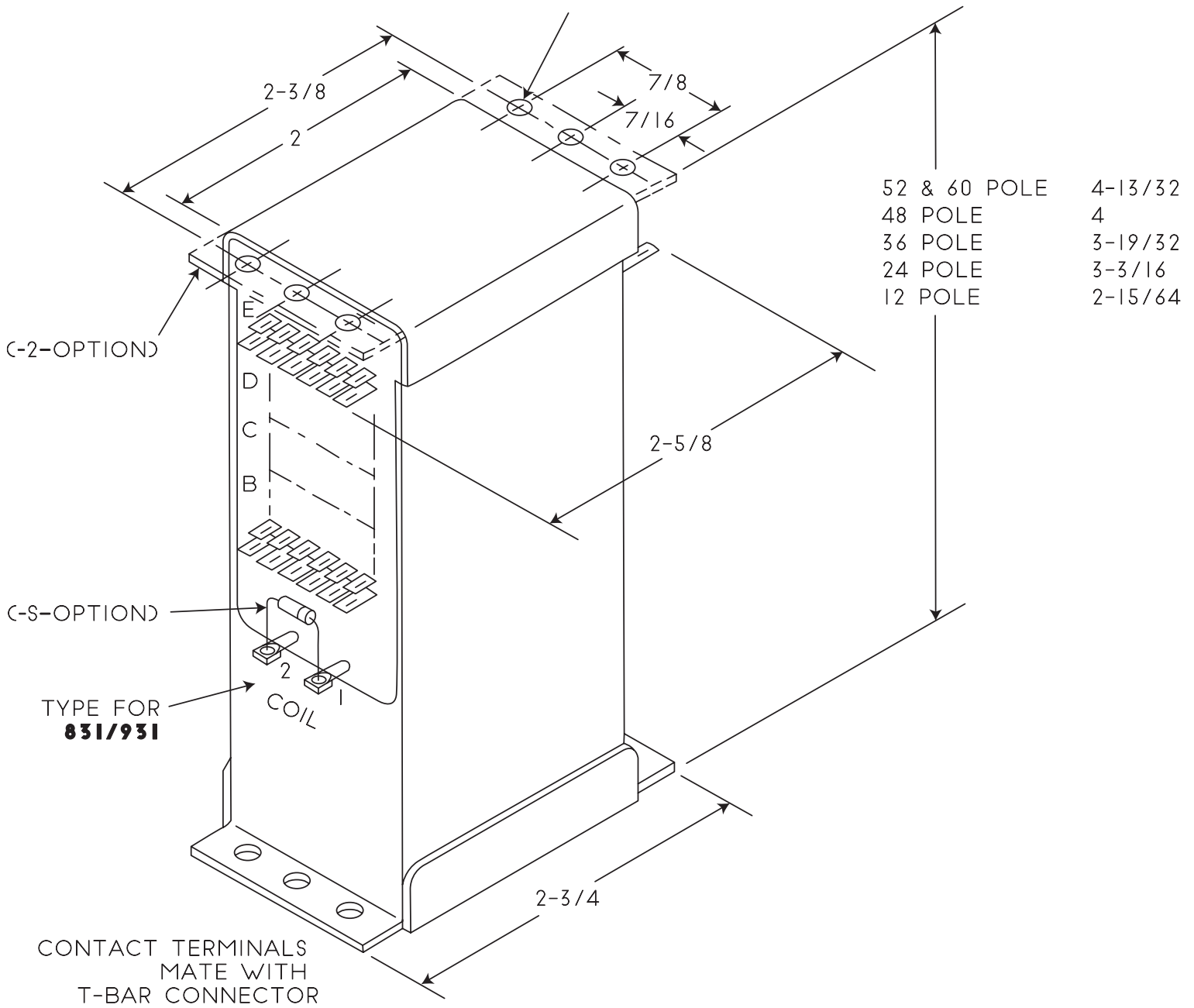
# ENVIRONMENTALLY-SEALED RELAYS

## 831/931 TECHNICAL DIAGRAM 01

### CONTACT TERMINAL

(0.95 X 0.75 THK.)

#6 CLEARANCE (MOUNTING FOR BASE TYP.)

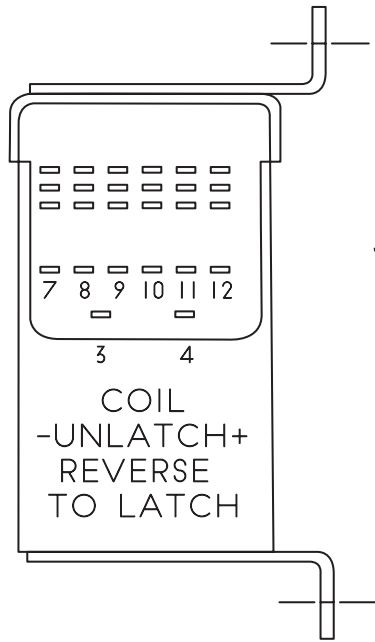




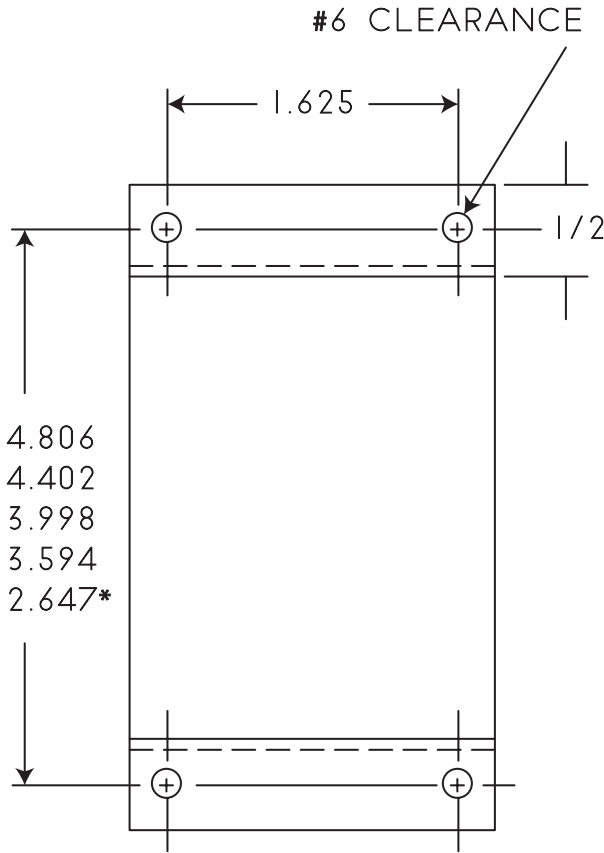
# ENVIRONMENTALLY-SEALED RELAYS

## 831/931 TECHNICAL DIAGRAM 02

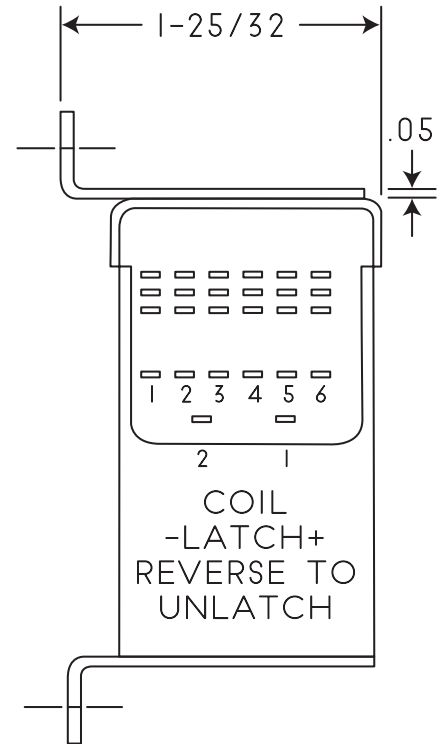
### TYPE FOR 837/937 WITH F-OPTION ONLY



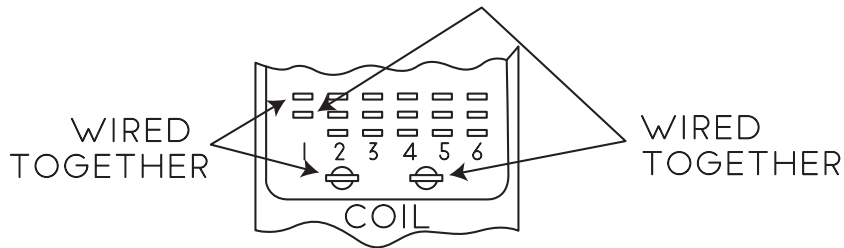
52 & 60 POLE	4.806
48 POLE	4.402
36 POLE	3.998
24 POLE	3.594
12 POLE	2.647*



\*837/937 12 POLE 3.190



### COIL WIRED TO CONTACT TERMINALS



-3 MOUNTING OPTION

REDUCE CONTACT COUNT BY:  
ONE FOR 837/937 & 831/931  
OR TWO FOR 837/937 (F)