

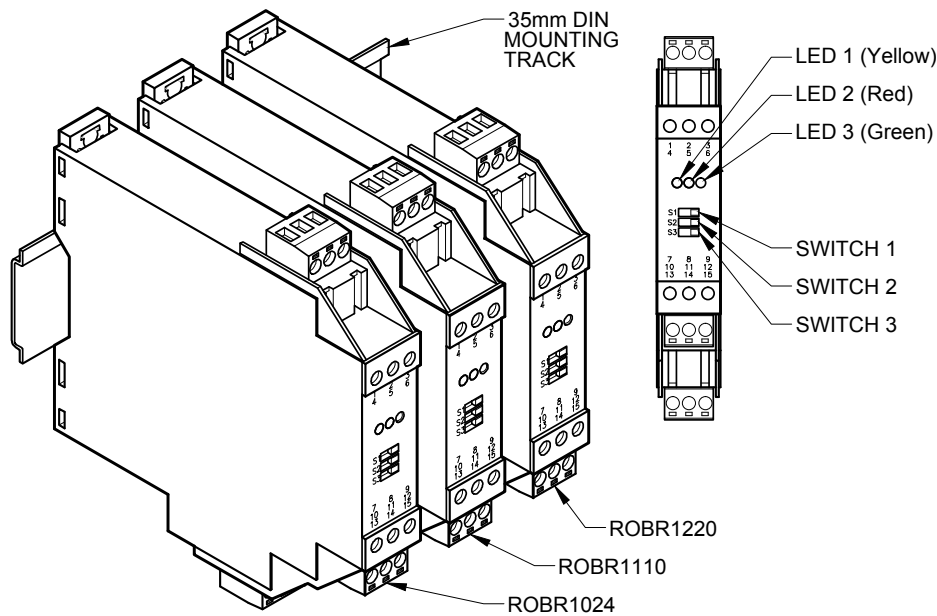
## BARRIER/SWITCH ISOLATOR

A barrier / switch isolator is designed to supply power to the NAMUR sensor, read the output state of the sensor and provide the desired safety and switching options based on the sensors current state. The barrier / switch isolator has three sets of connections:

- 1) Supply Voltage (powers the barrier)
- 2) Input Stage (accepts sensor inputs)
- 3) Output Stage (relay or transistor switching)

Supply voltages are 220VAC, 110VAC, or 24VDC. Switch isolators may receive an input from inductive sensors or dry mechanical contacts. The input circuit between the sensor or mechanical contact and the switch isolator is suitable to be installed in a hazardous area under the designation "Intrinsically Safe". Supply voltage and switching options must be specified when ordering.

## SINGLE CHANNEL BARRIER/SWITCH ISOLATORS (I.S.)



### Single Channel Options

KING ORDER #	POWER SUPPLY	PEPPERL + FUCHS #	OUTPUT
ROBR1024	DC 20V - 30V	KFD2-SR2-EX1.W	1 SPDT RELAY
ROBR1110	AC 104V - 126V	KFA5-SR2-EX1.W	AC: 250V / 2A
ROBR1220	AC 207V - 253V	KFA6-SR2-EX1.W	DC: 40V / 2A

### Recommended Use

PRODUCT LINE	ALARM OPTION
7100	Single Inductive Namur Slot Sensor
7310 / 7330	Single Latching Reed Switch
7430	Proximity or Latching Inductive Namur Ring Sensor
7440	Proximity or Latching Inductive Namur Ring Sensor
7470	Single Latching Reed Switch
7480	Single Latching Reed Switch
7610	Single Latching Reed Switch
7710 / 7720 / 7750	Single Inductive Namur Slot Sensor
7910	Single Latching Reed Switch
SILVER (9000)	Single Latching Reed Switch

INDICATOR / SWITCH	DESCRIPTION
LED 1 (Yellow)	Relay Output
LED 2 (Red)*	Lead Breakage (LB) Monitoring
LED 3 (Green)	Power
SWITCH S1	Mode of Operation
SWITCH S2	No Function
SWITCH S3*	Optional Lead Breakage (LB) Monitoring

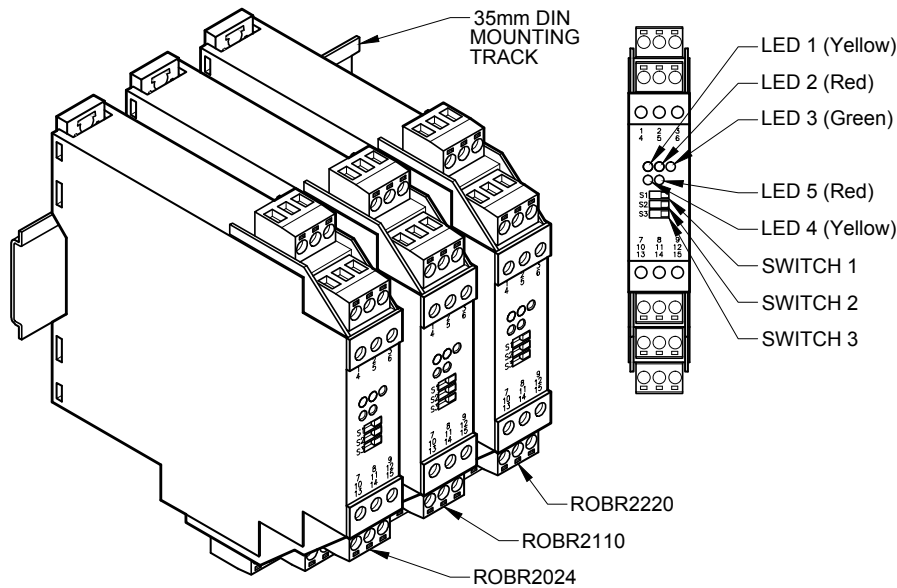
TERMINAL	ELECTRICAL CONNECTION
1**	Input Circuit: Flowmeter Alarm - Positive
3**	Input Circuit: Flowmeter Alarm - Negative
(7 / 8) & (7 / 9)	Output: SPDT Relay
14	Power Supply: Positive
15	Power Supply: Negative

\* Lead Breakage (LB) Monitoring detects if a lead breakage has occurred. In the event of an error, the barrier / switch isolator will change the output stage to the power-off state.

\*\* Field circuit is approved for Class 1, Division 1, Groups A-G when installation is in accordance with the Pepperl + Fuchs control drawing #:

FM: 116-0035n,  
UL: 116-0145,  
CSA: 116-0047f

## DUAL CHANNEL BARRIER/SWITCH ISOLATORS (I.S.)



### Dual Channel Options

KING ORDER #	POWER SUPPLY	PEPPERL + FUCHS #	OUTPUT
ROBR2024	DC 20V - 30V	KFD2-SR2-EX2.W	1 SPDT RELAY
ROBR2110	AC 104V-126V	KFA5-SR2-EX2.W	AC: 250V/2A
ROBR2220	AC 207V - 253V	KFA6-SR2-EX2.W	DC: 40V/2A

INDICATOR / SWITCH	DESCRIPTION
LED 1 (Yellow)	Alarm 1 - Relay Output
LED 2 (Red)*	Alarm 1 - Lead Breakage (LB) Monitoring
LED 3 (Green)	Power
LED 4 (Yellow)	Alarm 2 - Relay Output
LED 5 (Red)*	Alarm 2 - Lead Breakage (LB) Monitoring
SWITCH S1	Alarm 1 - Mode of Operation
SWITCH S2	Alarm 2 - Mode of Operation
SWITCH S3*	Lead Breakage (LB) Monitoring

### Recommended Use

PRODUCT LINE	ALARM OPTION
7310 / 7330	Dual Latching Reed Switch
7470	Dual Latching Reed Switch
7480	Dual Latching Reed Switch
7610	Dual Latching Reed Switch
7710 / 7720 / 7750	Dual Inductive Namur Slot Sensor
7910	Dual Latching Reed Switch
SILVER (9000)	Dual Latching Reed Switch

TERMINAL	ELECTRICAL CONNECTION
1**	Input Circuit: Flowmeter Alarm 1 - Positive
3**	Input Circuit: Flowmeter Alarm 1 - Negative
4**	Input Circuit: Flowmeter Alarm 2 - Positive
6**	Input Circuit: Flowmeter Alarm 2 - Negative
(7 / 8) & (7 / 9)	Output: SPDT Relay - Flowmeter Alarm 1
(10/11) & (10/12)	Output: SPDT Relay - Flowmeter Alarm 2
14	Power Supply: Positive
15	Power Supply: Negative

\* Lead Breakage (LB) Monitoring detects if a lead breakage has occurred. In the event of an error, the barrier / switch isolator will change the output stage to the power-off state.

\*\* Field circuit is approved for Class 1, Division 1, Groups A-G when installation is in accordance with the Pepperl + Fuchs control drawing #:  
 FM: 116-0035n,  
 UL: 116-0145,  
 CSA: 116-0047f