

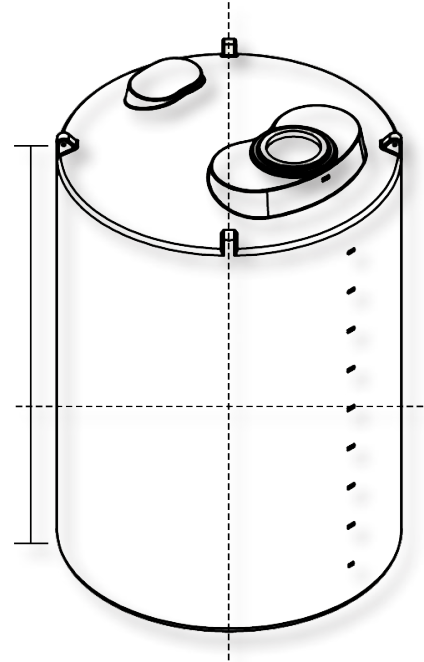
DEF-PRO ALL IN ONE™

MINI BULK TANK PACKAGES

THE VALUE-DRIVEN SOLUTION FOR STORING & DISPENSING DEF

TANK SPECIFICATIONS & PARAMETERS

GALLON CAPACITY	CONFIGURATION	DIAMETER	HEIGHT
500 GALLON	SINGLE WALL	46"	77"
800 GALLON	SINGLE WALL	46"	118"
1000 GALLON	SINGLE WALL	64"	81"
1150 GALLON	SINGLE WALL	46"	156"
1500 GALLON	SINGLE WALL	64"	116"
2100 GALLON	SINGLE WALL	87"	89"
405 GALLON	DOUBLE WALL	47"	76"
550 GALLON	DOUBLE WALL	60"	73"
1050 GALLON	DOUBLE WALL	72"	87"
1550 GALLON	DOUBLE WALL	72"	123"
2050 GALLON	DOUBLE WALL	72"	159"
2550 GALLON	DOUBLE WALL	96"	119"
3050 GALLON	DOUBLE WALL	96"	138"



OPTIONAL UPGRADE FEATURES

FILL LINE CONNECTIONS



2" male dry-lock
Parker Hannifin

DEF HOSE & HOSE REELS



25' x 3/4" DEF hose
reel with light duty
hose



65' x 3/4" DEF hose
reel with hose

PULSE METER



FMOG for DEF
digital display
flow meter

HEATING ELEMENTS



For Northern units only
Maintains temperatures
up to 120°F on
polyethylene tanks



For Northern units only
Immersion heaters are ideal for
extreme winter climates. It consists
of a hairpin bent tubular element
welded into a screw plug and
includes terminal enclosures for
electrical connections.

INVENTORY CONTROL



Wonderbox single-hose
Fluid Management
System

