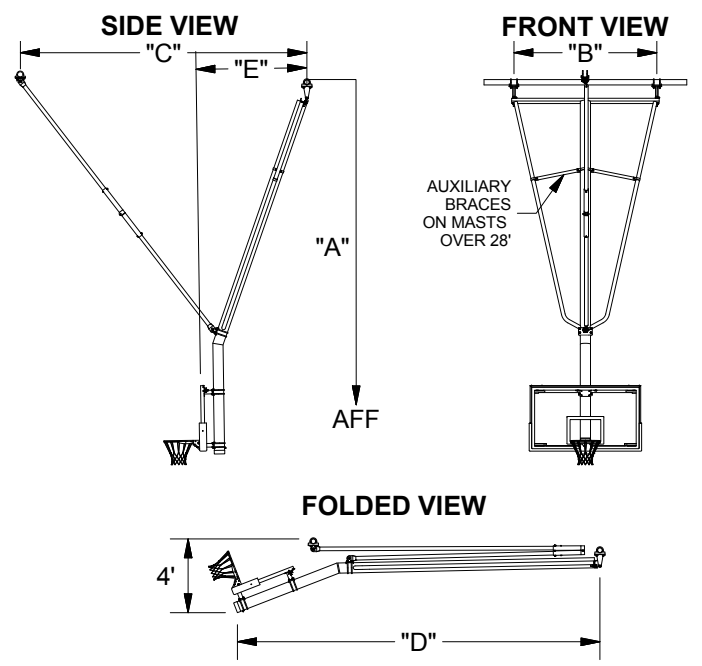
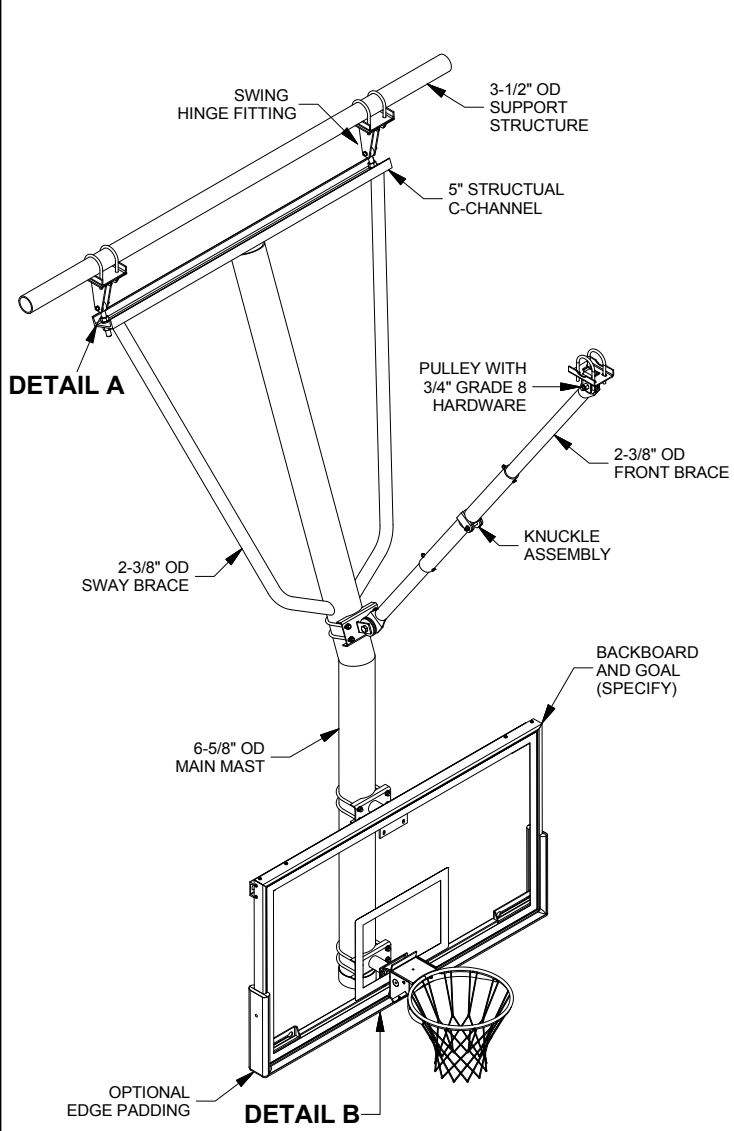
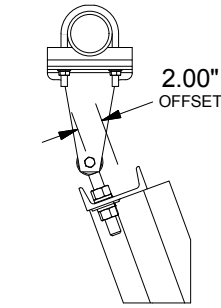




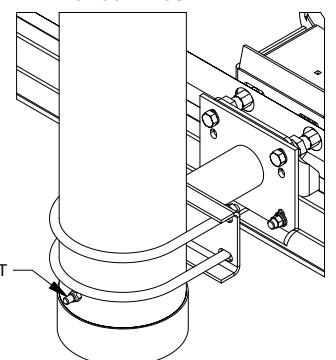
J850-OSB OFFSET FORWARD FOLD BACKSTOP



DETAIL A



DETAIL B



OPTIONAL EQUIPMENT

- EDGE PADDING: BOLT-ON OR ADHESIVE (SPECIFY)
- HEIGHT ADJUSTER: MANUAL (AHA-XX) OR ELECTRIC (EHA-XX) (SPECIFY)
- SAFETY FEATURE: POSILOK™ (PL-1000) SAFETY STRAP (SPECIFY)

REQUIRED EQUIPMENT

- BOARD: RECTANGULAR OR FAN (SPECIFY MATERIAL AND SIZE)
- GOAL: BREAKAWAY OR FIXED (SPECIFY)
- WINCH: MANUAL* (TW-700M) OR ELECTRIC (TW-2000)
- *FOR UP TO 28' ATTACHMENT HEIGHT

PROJECT NAME _____

PROJECT NUMBER _____

ARCHITECT _____

CONTRACTOR _____

NOTES _____

BACKSTOP DIMENSIONS			
"A" ATTACHMENT HEIGHT (AFF)	"B" MAST WIDTH	"C" FRONT BRACE	"D" HORIZONTAL FOLD
18' 0" to 19' 0"	5'-0"	4'-6" to 5'-6"	8'-0" to 9'-1"
19' 1/8" to 22' 0"	6'-0"	5'-6" to 7'-7"	9'-1" to 12'-3"
22' 1/8" to 24' 0"	6'-0"	7'-7" to 10'-6"	12'-3" to 14'-2"
24' 1/8" to 26' 0"	7'-0"	10'-6" to 12'-6"	14'-2" to 16'-1"
26' 1/8" to 28' 0"	7'-0"	12'-6" to 14'-6"	16'-1" to 18'-4"
28' 1/8" to 30' 0"	8'-0"	14'-6" to 16'-6"	18'-4" to 20'-4"
30' 1/8" to 32' 0"	8'-0"	16'-6" to 18'-6"	20'-4" to 22'-4"

BACKBOARDS "E" DIMENSION			
PART #	DESCRIPTION	WITHOUT HEIGHT ADJUSTER	WITH HEIGHT ADJUSTER
GBRUB-42	RECTANGULAR GLASS 42" x 72"	11-3/4"	12-5/8"

TABLE IS FOR REFERENCE USE ONLY. DIMENSIONS MAY VARY FOR OTHER BACKBOARDS.



J850-OSB
 OFFSET FORWARD FOLD BACKSTOP
 18'-00" to 32'-00" ATTACHMENT HEIGHT
 © COPYRIGHT 2014 JAYPRO SPORTS, LLC. ALL RIGHTS RESERVED
 THIS PRINT IS THE PROPERTY OF JAYPRO SPORTS, LLC. AND MAY NOT BE REPRODUCED WITHOUT WRITTEN PERMISSION

www.jaypro.com
 (800) 243-0533
 976 Hartford Turnpike
 Waterford, CT 06385 USA
 Sheet 1 of 2



CEILING SUSPENDED SINGLE DROP MAST OFFSET FORWARD FOLD BACKSTOP (18' to 32') SPECIFICATION SHEET

Jaypro Model J850-OSB, single drop, forward folding, front braced backstop shall consist of a fully welded heavy-duty mast. The mast shall be assembled of 6-5/8" O.D. 11-gauge structural steel tube with diagonal anti-sway braces of 2-3/8" O.D. 10-gauge structural steel tube welded together at the top with heavy duty 5" structural channel. Angled anti-sway braces increase mast stability by absorbing any lateral forces. Mast shall be suspended from support structure using two heavy-duty adjustable forged eyebolts. Mast shall be offset to the rear to allow the mast attachment point to fall behind the face of the board. Fully welded masts shall be supplied for attachment heights up to 32' in elevation. Masts exceeding 28' in attachment elevation are supplied with auxiliary braces for increased stability.

Backstop shall be supported from 3-1/2" O.D. 11-gauge structural steel tube securely anchored to roof framing members by means of heavy precision formed and/or welded steel support fittings. For spans exceeding 14', superstructure shall be reinforced with special welded pipe trussing.

Backstop shall be braced in the front and shall fold up to the front. The brace shall be of 2-3/8" O.D. 12-gauge structural steel tube assembly. The brace assembly shall have a fully adjustable folding knuckle assembly allowing for exact positioning at installation and maintenance free operation. Knuckle shall be disengaged automatically by the tensioning of the hoist cable during the act of raising the backstop into the stored position.

Backstop hoist cable shall be 1/4" diameter galvanized aircraft cable with 7000 lbs. ultimate break strength. Hoist cable shall be routed through 3-1/2" diameter cast steel sheaves with oil-impregnated bronze bushings attached using 3/4" SAE Grade 8 cap screws. Grade 2 or 5 cap screws will not be considered as equals. Backstop must utilize either the TW-700M heavy duty, fully enclosed worm gear type, wall mounted manual winch designed to hold backstop in any position during raising or lowering of backstop or the TW-2000, electrically operated, maintenance free instant reverse winch. Use of any other winch will not be considered as equal. Electrically operated winch shall be provided standard with a three-position momentary contact key switch and polished wall plate. Switch shall fit into a device box supplied by others (3" x 2-1/4" x 2-1/2" H x W x D). Integral limit switches shall control the raised and lowered positions of the backstop.

Goal shall be mounted directly through the bank into heavy-duty structural steel fittings to eliminate any strain on the bank should a player hang on the front of the mounted goal (see latest NCAA rules). Direct goal mount shall be mounted to the 6-5/8" O.D. main mast using two 1/2" diameter U-bolts. The upper bank extension assembly shall provide the official NCAA and NFSHSA regulation of 6" (15.24 cm) from the front of the main mast to the face of the backboard.

Entire backstop unit shall be powder coated black standard, with custom colors as an option. All metal fittings shall be packaged for protection during shipment. Custom colors include fully enclosed wrapping for added protection. Refer to Jaypro-PC for powder coat options.

WARRANTY

Jaypro J800 Series backstop structure comes with a 25 Year Limited Warranty. Limited Lifetime Warranty on all Jaypro backboards when used in conjunction with the J800 Series backstop. Other components may be covered under their own extended warranty.

OPTIONAL COMPONENTS

- Safe-Pro™ Edge Padding (*Refer to MBBP-6 Specification Sheet*)
- Manual Height Adjuster (*Refer to AHA-XX Specification Sheet*)
- Electric Height Adjuster (*Refer to EHA-XX Specification Sheet*)
- Posilok™ Backstop Safety Strap (*Refer to PL-1000 Specification Sheet*)
- MEC PAD Master Equipment Controller (*Refer to MEC-99 Specification Sheet*)
- ETEC Easy Touch Equipment Controller (*Refer to ETEC Specification Sheet*)
- TMX-DRX Wireless Radio Remote (*Refer to TMX-DRX Specification Sheet*)