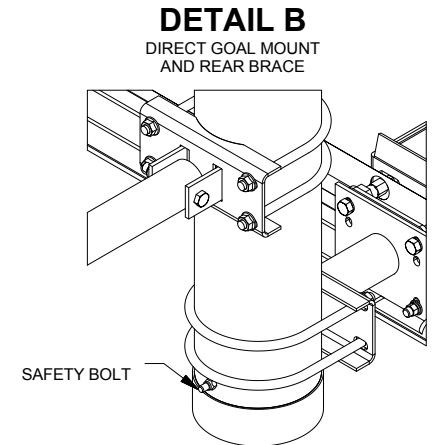
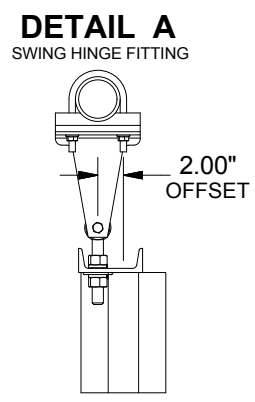
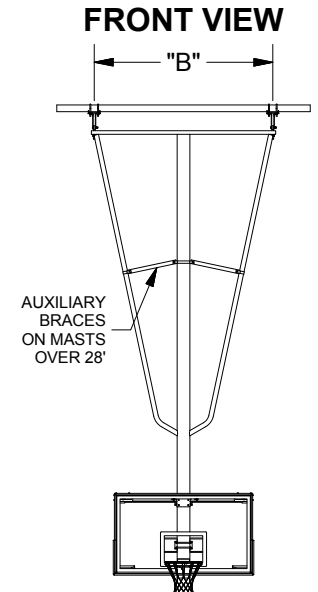
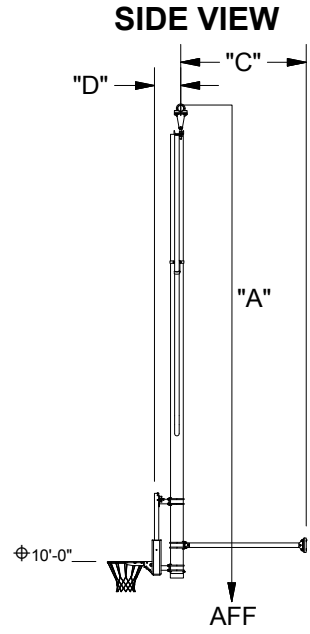
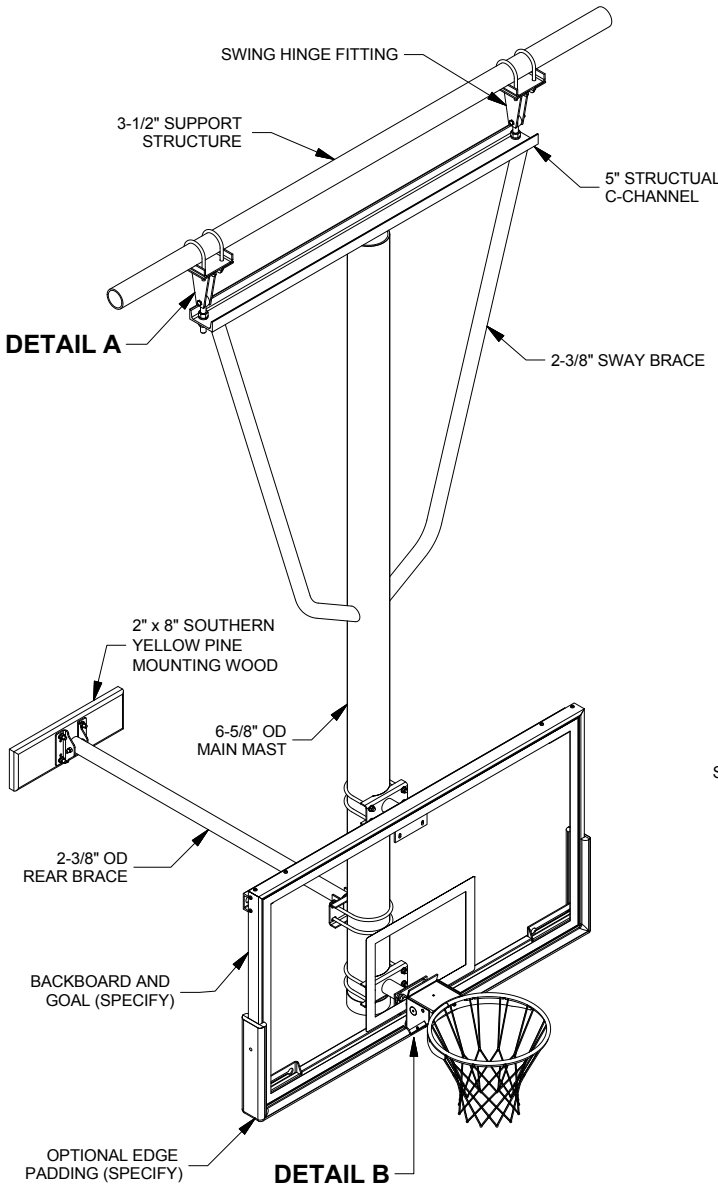




J818-WB STATIONARY WALL BRACED BACKSTOP



OPTIONAL EQUIPMENT

EDGE PADDING: BOLT-ON OR ADHESIVE (SPECIFY)
 HEIGHT ADJUSTER: MANUAL (AHA-XX) OR ELECTRIC (EHA-XX) (SPECIFY)

REQUIRED EQUIPMENT

BOARD: RECTANGULAR OR FAN (SPECIFY MATERIAL AND SIZE)
 GOAL: BREAKAWAY OR FIXED (SPECIFY)

PROJECT NAME _____

PROJECT NUMBER _____

ARCHITECT _____

CONTRACTOR _____

NOTES _____

BACKSTOP DIMENSIONS		
"A" ATTACHMENT	"B" MAST	"C" FRONT
HEIGHT (AFF)	WIDTH	BRACE
18' 0" to 19' 0"	5'-0"	VARIES DEPENDING ON BACKSTOP LOCATION (12' MAXIMUM)
19' 1/8" to 22' 0"	6'-0"	
22' 1/8" to 24' 0"	6'-0"	
24' 1/8" to 26' 0"	7'-0"	
26' 1/8" to 28' 0"	7'-0"	
28' 1/8" to 30' 0"	8'-0"	
30' 1/8" to 32' 0"	8'-0"	

BACKBOARDS "D" DIMENSION			
PART #	DESCRIPTION	WITHOUT HEIGHT ADJUSTER	WITH HEIGHT ADJUSTER
GBRUB-42	RECTANGULAR GLASS 42" x 72"	11-3/4"	12-5/8"

TABLE IS FOR REFERENCE USE ONLY.
 DIMENSIONS MAY VARY FOR OTHER BACKBOARDS.



J818-WB
 STATIONARY WALL BRACED BACKSTOP
 18'-00" to 32'-00" ATTACHMENT HEIGHT
 © COPYRIGHT 2014 JAYPRO SPORTS, LLC. ALL RIGHTS RESERVED
 THIS PRINT IS THE PROPERTY OF JAYPRO SPORTS, LLC. AND MAY NOT BE REPRODUCED WITHOUT WRITTEN PERMISSION

www.jaypro.com
 (800) 243-0533
 976 Hartford Turnpike
 Waterford, CT 06385 USA
 Sheet 1 of 2



CEILING SUSPENDED SINGLE DROP MAST STATIONARY WALL BRACED BACKSTOP (18' to 32') SPECIFICATION SHEET

Jaypro Model J818-WB, single drop, stationary, wall braced backstop shall consist of a fully welded heavy-duty mast. The mast shall be assembled of 6-5/8" O.D. 11-gauge structural steel tube with diagonal anti-sway braces of 2-3/8" O.D. 10-gauge structural steel tube welded together at the top with heavy duty 5" structural channel. Angled anti-sway braces increase mast stability by absorbing any lateral forces. Mast shall be suspended from support structure using two heavy-duty adjustable forged eyebolts. Mast centerline shall be offset 2" forward of hinged eyebolts insuring that the unit weight locks securely and automatically into the playing position. Fully welded masts shall be supplied for attachment heights up to 32' in elevation. Masts exceeding 28' in attachment elevation are supplied with auxiliary braces for increased stability.

Backstop shall be supported from 3-1/2" O.D. 11-gauge structural steel tube securely anchored to roof framing members by means of heavy precision formed and/or welded steel support fittings. For spans exceeding 14', superstructure shall be reinforced with special welded pipe trussing.

Backstop shall be braced to the rear anchoring at the wall. The brace shall be of 2-3/8" O.D. 12-gauge structural steel tube assembly terminating at the wall through the use of special fittings and Southern Yellow Pine wall stringer. Anchors to the wall will be specified by the Architect and provided by the installer to meet wall requirements and local code requirements.

Goal shall be mounted directly through the bank into heavy-duty structural steel fittings to eliminate any strain on the bank should a player hang on the front of the mounted goal (see latest NCAA rules). Direct goal mount shall be mounted to the 6-5/8" O.D. main mast using two 1/2" diameter U-bolts. The upper bank extension assembly shall provide the official NCAA and NFSHSA regulation of 6" (15.24 cm) from the front of the main mast to the face of the backboard.

Entire backstop unit shall be powder coated black standard, with custom colors as an option. All metal fittings shall be packaged for protection during shipment. Custom colors include fully enclosed wrapping for added protection. Refer to Jaypro-PC for powder coat options.

WARRANTY

Jaypro J800 Series backstop structure comes with a 25 Year Limited Warranty. Limited Lifetime Warranty on all Jaypro backboards when used in conjunction with the J800 Series backstop. Other components may be covered under their own extended warranty.

OPTIONAL COMPONENTS

- Safe-Pro™ Edge Padding (*Refer to MBBP-6 Specification Sheet*)
- Manual Height Adjuster (*Refer to AHA-XX Specification Sheet*)
- Electric Height Adjuster (*Refer to EHA-XX Specification Sheet*)