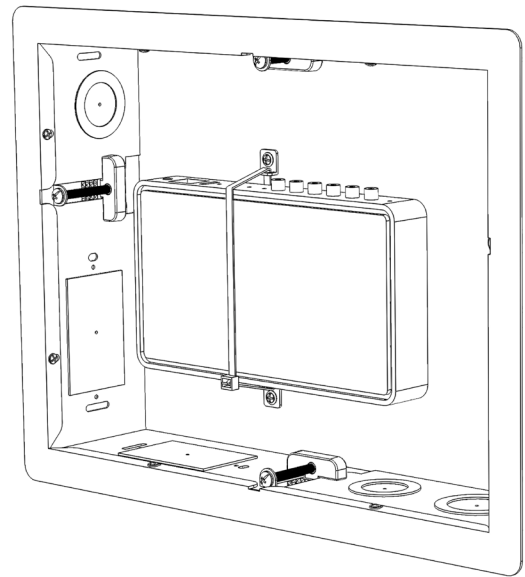




CMK-1 Component Mounting Kit



Thank you for purchasing the Intuitive CMK-1. We are sure that you will be very happy with the product and its ease of installation.

Please read this manual before installation.

For the installation you will need the following tools:

- Drill with Philips head screwdriver bit
- Wire snips

Included with the CMK-1 Kit:

- 2ea. Zip Tie Mounts
- 2ea. Self Drilling Screws
- 4ea. Rubber Component Feet
- 2ea. Zip Tie Clips
- 1ea. Instruction Sheet

Weight Rating

- 5Lbs.

Warranty

- 5 year limited warranty from date of purchase

Related Items

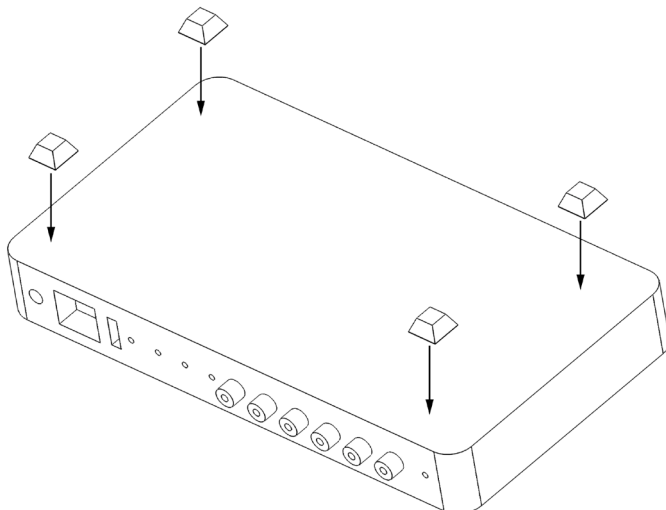
- CLP-2 Zip Tie Mounting Clips
- UMC-1 Universal Mounting Clamps
- IWB-1 and IWB-2 in-wall enclosures
- CMP-1 Component Mounting Plate

If you have any questions or need assistance please contact us at the following numbers or e-mail address:

Phone: 602-759-9559

Fax: 602-759-9779

E-mail: Help@intuitiveusa.com

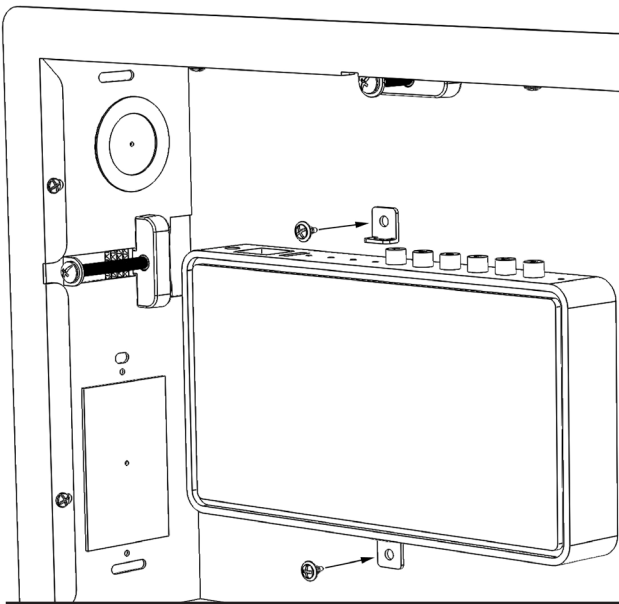


1. Attach Rubber Feet

***The rubber feet **MUST** be used for proper mounting of the equipment.

- Clean the bottom of the equipment to remove all oils and dirt.
- Remove the adhesive backer from the rubber foot and attach to the bottom of the equipment.

***The best application is to place the rubber feet evenly spaced in 1/2" from the corners.



2. Attach the zip tie clips

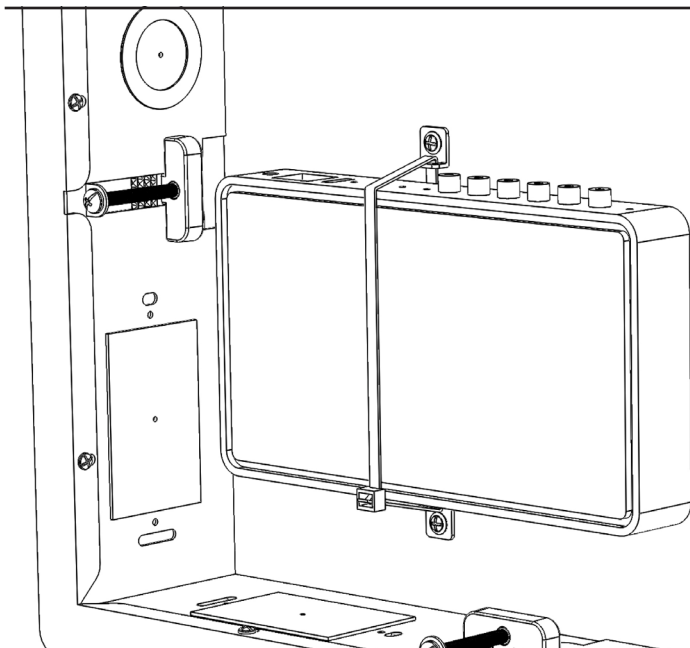
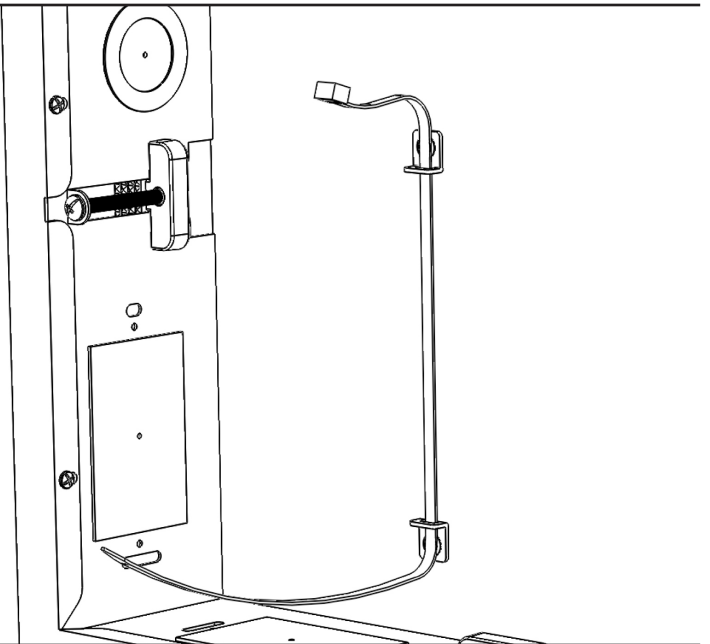
*****CAUTION - Make sure that there aren't any wires behind the enclosure that might be harmed by the self drilling screws. They will pass through the enclosure by about 1/2".**

- a. Temporarily place your equipment into the IWB enclosure.
- b. Place the Zip tie clips about 1/4" from the edge of the equipment, with the mounting hole facing away.
- c. Using a drill with a #2 phillips head bit, mount the clips with the supplied screws. These are self drilling screws, with no need to pre-drill. They will penetrate the enclosure and tighten within seconds, be careful to not overtighten and strip the hole.

3. Attach the Zip Tie

- a. Remove the piece of equipment to be mounted.
- b. Feed the zip tie through the two clips. The knurled/Bumpy surface should be facing up.

*****Note: The zip tie is designed to pass below the equipment, inside of the IWB enclosure.**



4. Attach the Zip Tie

- a. Place the equipment back in the enclosure, Cinch the zip tie down over the equipment to hold it securely in place.

*****Note: It is best to have the zip tie connection toward a corner of the equipment, this will give you the strongest hold.**