

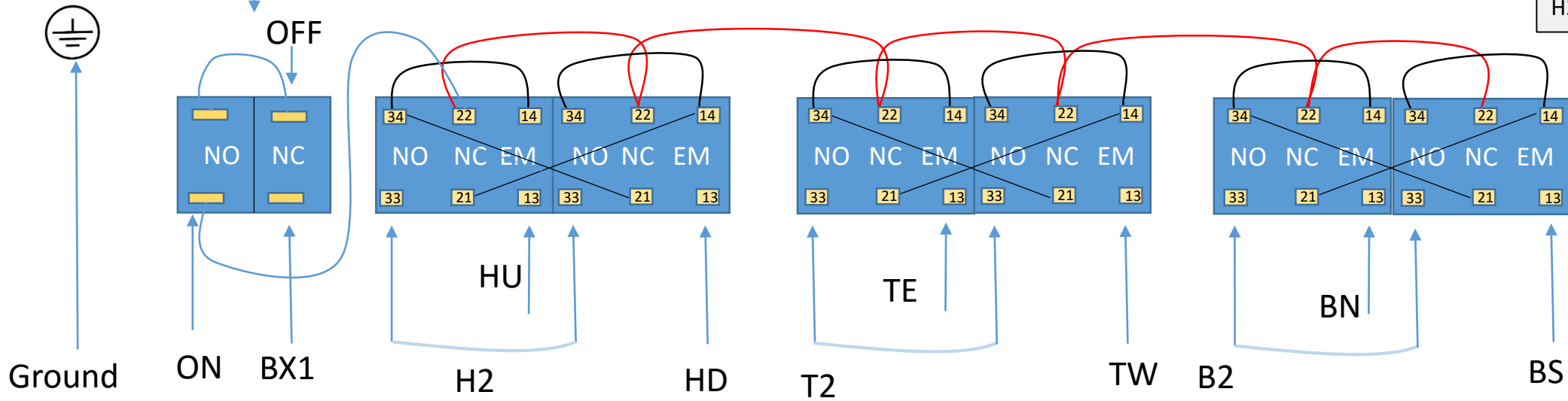
# SPOTTER Mini 8 Button Pendant All 2 Speed with Momentary On/Off

**Reference Key:**

- NO – Normally Open
- NC – Normally Closed
- EM – Normally Open Early Make
- TL – Trolley East
- TR – Trolley West
- BF – Bridge North
- BR – Bridge South
- B2- Bridge Second Speed
- T2 – Trolley Second Speed
- H2 – Hoist Second Speed

- Common Prewired – for ONE X1 – Remove Jumpers if connecting an HX1
- Electrical Interlock Prewired

Typical Jumper Connections by Customer



— Typical Customer Cable/Jumper connection locations – by customer.



Always provide for proper grounding! Serious injury or death can result from improper grounding and/or incorrect ground fault protection for this equipment.



This document is provided only as a reference. Only qualified personnel should work on this equipment.