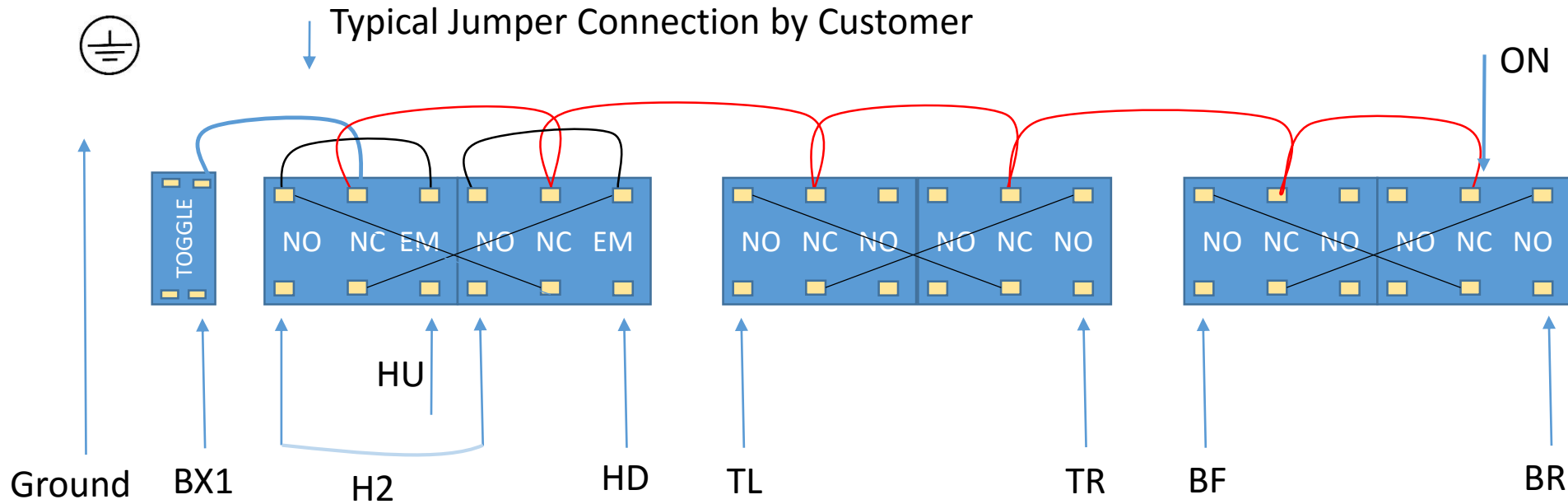


SPOTTER 6 Button Pendant Two Speed Hoist – Single Speed Trolley and Bridge

Reference Key:
NO – Normally Open
NC – Normally Closed
EM – Normally Open Early Make
TL – Trolley Left
TR – Trolley Right
BF – Bridge Forward
BR – Bridge Reverse
H2 – Hoist Second Speed

- Common – Prewired for ONE X1 – Remove Jumpers if you will connect an HX1
- Electrical Interlock prewired



— Typical Cable/Jumper Connections by Customer



Always provide for proper grounding! Serious injury or death can result from improper grounding and/or incorrect ground fault protection for this equipment.



This document is provided only as a reference. Only qualified personnel should work on this equipment.