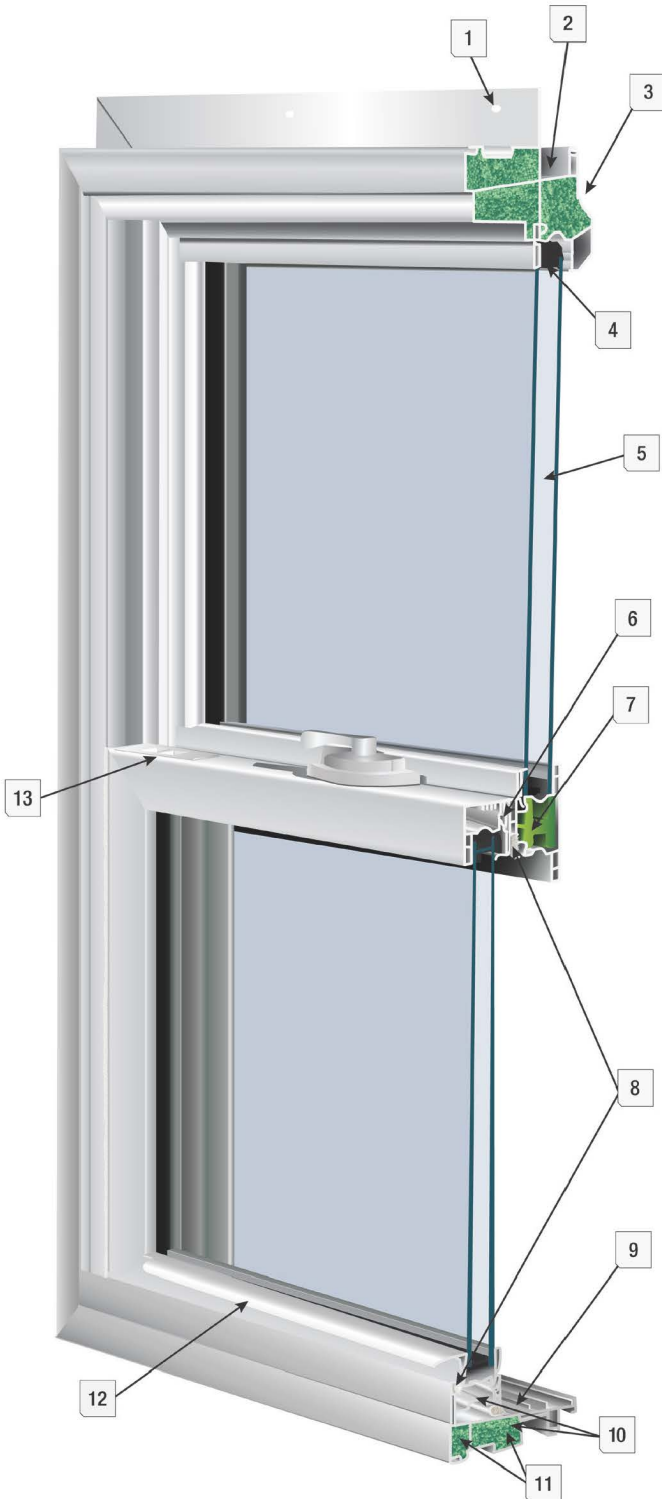


7100 SERIES

New Construction Single Hung

SINGLE HUNG | HORIZONTAL SLIDER
FIXED PICTURE | SPECIALTY SHAPES

The 7100 Series is a reliable vinyl window design that combines quality and affordability with many optional features making it our most desired custom product.



FEATURES

- 1 Extruded Nail Fin (removable for replacement applications)
- 2 Fully Extruded Recessed J-Channel
- 3 Beveled Exterior Main-Frame
- 4 Qualex Building Products Most Advanced Warm Edge Spacer Duralite®
- 5 3/4" Insulated Double Strength Glass Unit
- 6 Fully Extruded Interlock at Sash Locking Rail
- 7 Reinforced Innergy™ Rigid Thermal Interlock System Available (standard in meeting rail only)
- 8 Multi-Point Double Barrier-Fin Weather Stripping System Along Sash and Main-Frame
- 9 Sloped Sill Design
- 10 Multi-Chambered Sash and Main-Frame
- 11 Foam-Filled Frame Available
- 12 Fully Extruded Lift Rail
- 13 E-Z Tilt™ Sash Design with Routed Flush Mount Dual Tilt Latches
- 14 Triple-Pane Glass Options Available
- 15 Uniframe Twin Option Available

STANDARD

- Sunshield® Virgin Vinyl with Titanium Alloy Compound
- Main-Frame Jamb Depth Dimension of 3/4"
- Patented Fusion Welded Frame and Sash
- Constant Force Balance System

NFRC TEST RATINGS

MODEL	U-FACTOR	SHGC
7000 PW	.27	.27
7100 SH	.28	.26
7300 SS	.27	.26

**Ratings supplied with DS CS 36/Duralite®/Argon/Grids

Constant Force Balance System



Available Colors

