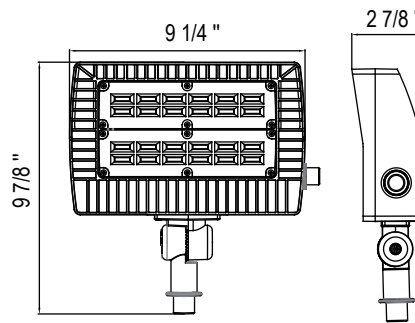
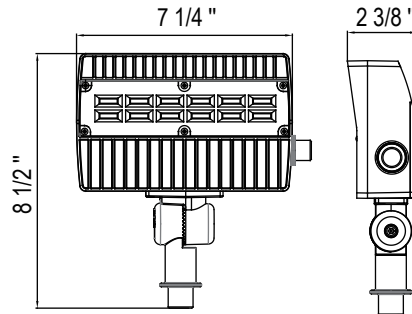


VFL3 series LED Flood

CSA, cUL, cETL, or equal

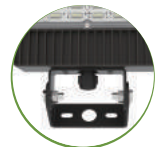
Project Reference: _____ Fixture Type: _____ Cat. No.: _____ Voltage: _____ Options: _____



Options



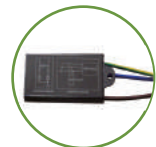
Knuckle Mount



Trunion

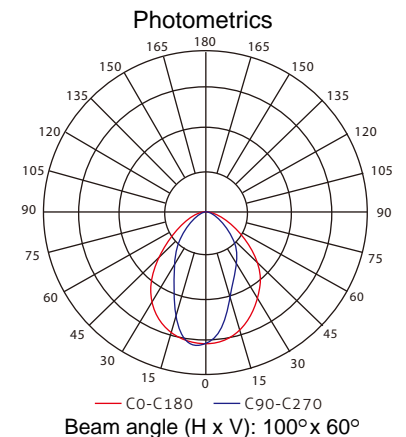


Photocell



10KV SPD

- Die-cast aluminum body with dark bronze powder coat finish
- Compact and versatile design, use as a flood light or wall pack
- Ideal for general site lighting, pathways, alleys, doorways, etc.
- Ambient temperature: -40°C to +40°C
- 110 lumens per watt



ORDERING GUIDE		Example: VFL32A-50-4K-UNV-KM			
Series	Watts	CCT	Voltage	Mount Options	Options
VFL31A	20	4K or 5K	UNV (120-277V only)	KM Knuckle Mount or TN Trunion Mount	PS Photo Sensor SPD 10 KV surge protection
	30				
VFL32A	50	4K or 5K	UNV (120-277V only)		

* Not all configurations are DLC listed, consult factory for current status and DLC codes