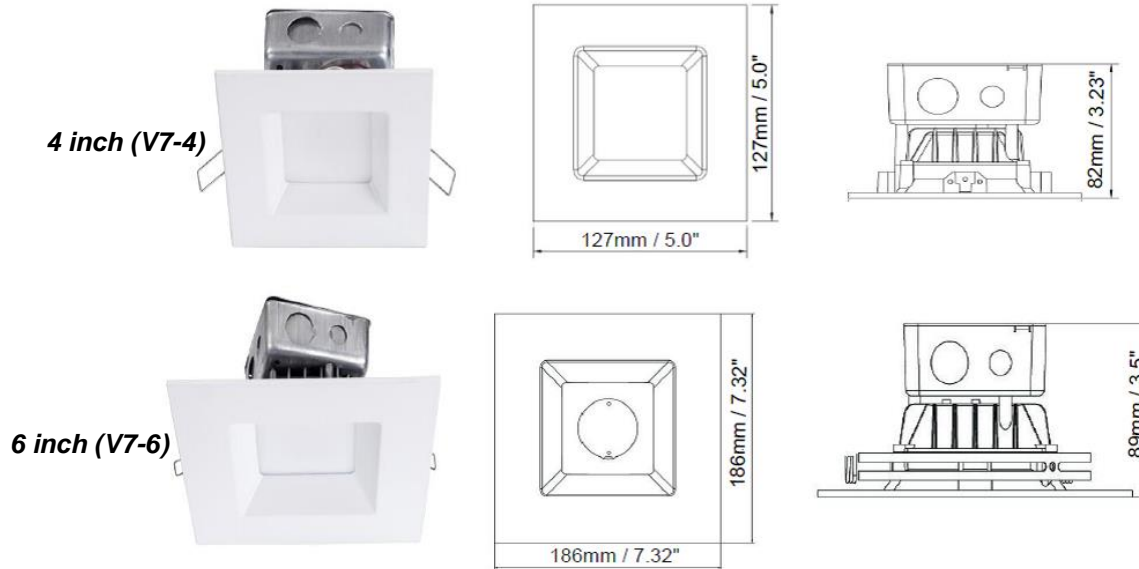


V7 Series LED Downlight

4" & 6" Square with Junction Box

CSA, cUL, cETL, or equal

Project Reference: _____ Fixture Type: _____ Cat. No.: _____ Voltage: _____ Options: _____



SPECIFICATIONS

- For dry and damp locations, IC rated
- 2700K, 3000K, 3500K, 4000K available
- CRI 90; high colour rendering provides better vision
- 600-650 lumens at 10W; 900-1000 lumens at 15W
- Dimmable at 120V; compatible with most Lutron and Leviton dimmers
- LM70 > 50,000 hours

ORDERING INFORMATION

V7

Product Code	Size	Wattage	CCT (in Kelvin)
V7	4 = 4" square	10W	2700 = 2700K 3000 = 3000K
	6 = 6" square	10W 15W	3500* = 3500K* 4000 = 4000K * Special Order

Ex. V7-6-10W-3000

OPTIONS/ACCESSORIES

Product Code	Description
-347	For 347V external step-down transformer, add "-347" to product code above