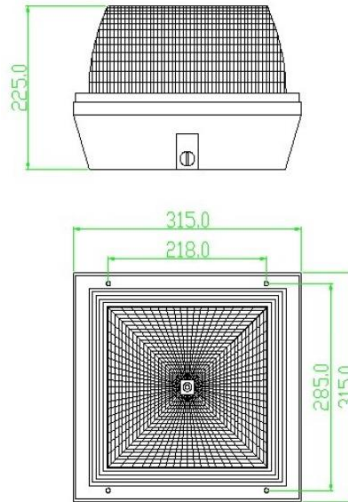


# ECOLED 48W

Parking Garage/Canopy (CREE LEDs & Meanwell Driver) CSA, cUL, cETL, or equal

Project Reference: \_\_\_\_\_ Fixture Type: \_\_\_\_\_ Cat. No.: \_\_\_\_\_ Voltage: \_\_\_\_\_ Options: \_\_\_\_\_



## DESCRIPTION

- Standard Model: 48W, 5000K, brown finish, clear linear lens, 0-10V dimmable
- No shadow or dark areas between fixtures
- Zonal lumen density >30% light distribution between 60° and 80° for equal distribution of light (DLC Category 5)
- Near zero maintenance
- CRI > 70; L70 > 50,000 hours
- Operating temp -30°C to +60°C
- The classically styled commercial garage canopy fixture was designed to seamlessly compliment a new or existing building while delivering the dramatic energy savings of LED. Designed with ease of installation and product familiarity in mind. Enjoy high quality, cost effective illumination.

## ORDERING INFORMATION

Product Code	Voltage	Wattage	Nominal Lumens	CCT	Finish	Dimensions
ECOLED-G50-UNV	100-277V	48W	4,060 lm	5000K	Brown	315 x 315 x 225 mm

## OPTIONS

Product Code	Description
-C	For custom colour finish, add "-C" to product code above
-40K	For 4000K, add "-40K" to product code above
-PC or -BLD	To order photocell, add "-PC" to product code above; to order bi-level dimming, add "-BLD"
347*	For 347V, replace "UNV" in the product code above with "347"

**Notes:** Specifications are typical values and may change without notification.