

LEGAL NOTICE NOTICE TO CONTRACTORS

Notice is hereby given that sealed proposals will be received at the Office of the Napoleon Township Trustees, located at 203 West Main Street, Napoleon, Ohio until Tuesday, June 11th, 2019 at 7:00 P.M. Bids that are mailed need to be sent to Napoleon Township, P.O. Box 686, Napoleon, Ohio 43545 for the furnishing of all services, labor, materials, and equipment necessary for the following improvements:

Township Road M2 From Township Road 16B to County Road 424 Shoulder Reconstruction Project
Township Road R From U.S. Route 6 to County Road 17 (Including Y Intersection) Paving Project
Township Road 14B From Township Road R to County Road S Paving Project
Township Road 15A From Township Road R to U.S. Route 6 Paving Project

Napoleon Township, Henry County, Ohio, in accordance with estimates and specifications on file with the Napoleon Township Fiscal Officer.

Bidding documents are available online at www.henrycountyengineer.com/bid-request-listing/

Bids are to be submitted on a unit price basis.

The contracts will be awarded to the lowest, competent and responsible bidder.

Each bidder is required to file with his bid a bid guaranty in the form of either:

1. A bond for the full amount of the bid; or
2. A certified check, cashier's check or letter of credit pursuant to Chapter 1305 of the Ohio Revised Code, in the amount of ten (10%) percent of the bid price as guarantee that, if the contract be awarded on such bid, the bidder will enter into a contract and the performance of it will be properly secured.

The successful bidder, if using a (10%) bid guaranty, shall be required to provide a contract performance and payment bond for the full amount of the bid.

Prevailing Wage Rates per Section 4115 of the Ohio Revised Code shall prevail on this project.

The Board of Trustees reserves the right to award separate contracts for the above noted improvements. The Board of Trustees reserves the right to reject any or all bids.

BY ORDER OF
THE BOARD OF TRUSTEES
NAPOLEON TOWNSHIP
HENRY COUNTY, OHIO

Susan Witt, Fiscal Officer
P.O. Box 686
Napoleon, OH 43545

Date of Sale: Tuesday, June 11th, 2019 at 7:00 P.M.

Napoleon Township Road Improvements

All work and material contracted for seal coating shall meet the requirements of the 1997 State of Ohio, Department of Transportation, Construction and Material Specifications. All other work shall meet the requirements of the State of Ohio, Department of Transportation, Construction and Material Specifications in effect on the date of sale or as noted on attached plans, together with any modifications to the same stated herein.

Spreading and placement of asphalt shall be done with full width paving equipment.

“Formed” or “Butt Type” construction joints shall be constructed at all pavement termini unless otherwise directed by the Township Trustees.

The asphalt binder grade for all asphalt concrete specified shall be PG 64-22.

Aggregate used in the asphalt concrete mix and for seal coating shall be State approved quarry run mineral aggregate.

Cut back asphalt may be used on applicable bid items between the period of October 15th and April 15th.

There are no restricted construction dates for the use of cut backs for penetration prime coat, maintenance mix or dust control.

Prevailing Wage Rates per Section 4115 of the Ohio Revised Code shall prevail on this project. A copy of the applicable wage rates may be obtained from the State of Ohio Wage and Hour Division via the internet at the following web site:
<http://www.com.ohio.gov/laws>

Should the bidder not have access to the internet, a complete set of the applicable wage rates are available at the office of the Henry County Engineer. A copy will be provided if requested.

Contractors are required to furnish the Township with a certificate of insurance in the minimum amount of \$1,000,000.00 primary and \$1,000,000.00 umbrella coverage. The Township, its elected office and employees shall be named as additional insured with respect to all activities under any agreement resulting from this bidding. The certificate of insurance shall provide that such insurance shall not be cancelled without thirty (30) days prior written notice to the Township. Contractors will replace certificate for any insurance expiring prior to the effective end date under any agreement resulting from this bidding.

Contractors shall maintain Worker’s Compensation coverage as required by Ohio law. A copy of a valid Worker’s Compensation certificate shall be submitted with the bid.

The Contractor shall indemnify and hold harmless the Township, its agents and employees from any and all losses, claims, damages, lawsuits, costs, judgments, expenses or any other liabilities which they may incur as a result of bodily injury, sickness, disease or death, or injury to or destruction of tangible property including the loss of use resulting therefrom, caused in whole or part by the negligent act or omission of the Contractor or any person directly or indirectly employed by any of them or any person for whose act any of them may be liable.

Accompanying this proposal is a bid guaranty in the form of either:

- 1) A bond for the full amount of the bid, on the above improvement; or
- 2) A certified check, cashier's check or letter of credit pursuant to Chapter 1305 of the Ohio Revised Code, in the amount of ten percent (10%) of the bid on the above improvements, payable to the order of the Board of Trustees, NAPOLEON TOWNSHIP, which check or bond is to be forfeited if, in case this proposal is accepted, the undersigned shall fail to execute a contract within ten (10) days of Notice of Award.

This contract shall be under the direct supervision of the Napoleon Township Trustees and the Henry County Engineer.

All items are approximate, and final measurement of completed items will govern final payment.

In the event of discrepancy between the unit and total price bid, the unit price shall prevail. The unit prices shall remain in effect and held firm for the term of this contract. ODOT Item 401.20 Asphalt Binder price adjustment does not apply.

The Contractor shall be responsible for all construction one (1) year after project completion and acceptance. The Contractor shall make all corrections as necessary by reason of noted defects. The Trustees will give notice of observed defects with reasonable promptness. In the event that the Contractor fails to make repairs, adjustments or complete other work which may be required by such defects, the Trustees may do so and charge the Contractor the costs incurred.

The Board of Trustees reserve the right to award separate contracts on the various roads described. The Board of Trustees further reserves the right to reject any or all bids.

Road M2 Shoulder Reconstruction Project shall be completed on or before **August 1st, 2019.**

All Paving Work shall be completed on or before **October 1st, 2019.**

For each calendar day that any work shall remain uncompleted after the stated completion date the appropriate sum, in accordance with the schedule of liquidated damages per Section 108.07 of the Standard Specifications of the State of Ohio Department of Transportation, will be deducted from any monies due the Contractor, not as a penalty but as liquidated damages; provided however, that due account shall be taken of any adjustment of the completion date granted by the Board of Trustees of Napoleon Township.

A work day will be counted as lost if the Contractor's efficiency is reduced more than fifty (50%) percent on the critical items under construction at that time. Weekends and holidays will not be counted as lost work days.

Submitted By: _____
CONTRACTOR

Address: _____

Signed By: _____
Name/Title

(Napoleon Township) Road M2 from Road 16B to Road 424					Unit Price	Total Price
Length: 9325 Feet or 1.77 Mile(s)						
Type: Shoulder Reconstruction						
1	203	1,153	C.Y.	Embankment, includes grading per plans		
2	209	9,245	L.F.	Linear Grading from Sta. 0+40 to 92+85 (Includes grade existing and added berm on both sides of road to conform to the 1"/FT slope)		
3	606	1,025	L.F.	Type 5 Guardrail per plan (Includes all railing, posts, blockouts, mounting hardware, flared end sections, and labor complete & in place at locations indicated on plan sheet 6)		
4	617	48	C.Y.	Stabilized crushed aggregate berm compacted		
5	659	0.5	Ton	Commercial Fertilizer		
6	659	10,969	S.Y.	Seeding and Mulching		
7	659	59	M.Gal.	Water		
8	614	1	L.S.	Maintaining Traffic		
9	624	1	L.S.	Mobilization		
10	103.1	1	L.S.	Contract Performance & Payment Bond		
Napoleon Township Road M2 Improvments Total						

(Napoleon Township) Road R from U.S 6 to Road 17 (Including Y Intersection)					Unit Price	Total Price
Length: 1510 feet or 0.29 miles						
Width: 18.25 feet (3140 S.Y.)						
Type: Resurfacing with ODOT spec 441 Surface Course						
11	407	155	Gal	Bituminous Tack Coat applied at 0.05 gallons per square yard		
12	203	20	C.Y.	Excavation of 6" of pavement to be repaired. (Areas will be marked out in white paint). Price includes removal of material		
13	301	20	C.Y.	Bituminous Aggregate Base, (6" average compacted depth, includes 407 tack coat on vertical face)		
14	441	115	C.Y.	Asphalt concrete surface course PG 64-22, Type 1 (448) applied, spread and compacted at the average depth of 1.25 inches		
15	617	21	C.Y.	Stabilized crushed aggregate berm in place and compacted at the average depth of 1.5 inches and at an average width of 18 inches on both sides of the road		
16	Spec.	5	EA	Formed Construction Joint		
17	614	1	L.S.	Maintaining Traffic		
18	624	1	L.S.	Mobilization		
19	103.1	1	L.S.	Contract Performance & Payment Bond		
Napoleon Township Road R Total						

(Napoleon Township) Road 14B from Road R to Road S					Unit Price	Total Price
Length: 5225 feet or 0.99 miles						
Width: 16.5 feet (9635 S.Y.)						
Type: Resurfacing with ODOT spec 441 Surface Course						
20	407	480	Gal	Bituminous Tack Coat applied at 0.05 gallons per square yard		
21	203	25	C.Y.	Excavation of 6" of pavement to be repaired. (Areas will be marked out in white paint). Price includes removal of material		
22	301	25	C.Y.	Bituminous Aggregate Base, (6" average compacted depth, includes 407 tack coat on vertical face)		
23	441	335	C.Y.	Asphalt concrete surface course PG 64-22, Type 1 (448) applied, spread and compacted at the average depth of 1.25 inches		
24	617	75	C.Y.	Stabilized crushed aggregate berm in place and compacted at the average depth of 1.5 inches and at an average width of 18 inches on both sides of the road		
25	Spec.	4	EA	Formed Construction Joint		
26	614	1	L.S.	Maintaining Traffic		
27	624	1	L.S.	Mobilization		
28	103.1	1	L.S.	Contract Performance & Payment Bond		
Napoleon Township Road 14B Total						

(Napoleon Township) Road 15A from Road R to U.S. 6					Unit Price	Total Price
Length: 4250 feet or 0.8 miles						
Width: 16 feet (7635 S.Y.)						
Type: Resurfacing with ODOT spec 441 Surface Course						
29	407	380	Gal	Bituminous Tack Coat applied at 0.05 gallons per square yard		
30	203	15	C.Y.	Excavation of 6" of pavement to be repaired. (Areas will be marked out in white paint). Price includes removal of material		
31	301	15	C.Y.	Bituminous Aggregate Base, (6" average compacted depth, includes 407 tack coat on vertical face)		
32	441	266	C.Y.	Asphalt concrete surface course PG 64-22, Type 1 (448) applied, spread and compacted at the average depth of 1.25 inches		
33	617	60	C.Y.	Stabilized crushed aggregate berm in place and compacted at the average depth of 1.5 inches and at an average width of 18 inches on both sides of the road		
34	Spec.	2	EA	Formed Construction Joint		
35	614	1	L.S.	Maintaining Traffic		
36	624	1	L.S.	Mobilization		
37	103.1	1	L.S.	Contract Performance & Payment Bond		
Napoleon Township Road 15A Total						

Bid Total	
------------------	--

EARTHWORK				EARTHWORK			
END AREA		VOLUME		END AREA		VOLUME	
FILL	DIRT	FILL	DIRT	FILL	DIRT	FILL	DIRT
BERM	DIRT	BERM	DIRT	BERM	DIRT	BERM	DIRT
		0.1	15.5				
				695			
0.03	4.33			9+00	690	19+00	0.32 3.54
		0.9	18.4	695	695		0.6 10.5
0.43	5.61			8+00	690	18+00	0.00 2.11
		0.9	18.2	695	695		0.3 8.1
0.03	4.20			7+00	690	17+00	0.18 2.28
		0.1	17.9	695	695		0.4 8.2
0.00	5.45			6+00	690	16+00	0.01 2.17
		0.0	19.1	695	695		0.0 6.4
0.00	4.89			5+00	690	15+00	0.00 1.27
		0.0	19.8	695	695		0.0 6.8
0.00	5.81			4+00	690	14+00	0.00 2.39
		0.4	22.2	695	695		0.0 9.8
0.21	6.19			3+00	690	13+00	0.00 2.92
		0.4	21.9	695	695		0.0 11.4
0.00	5.65			2+00	690	12+00	0.00 3.21
		0.2	21.2	695	695		0.1 9.7
0.09	5.82			1+00	690	11+00	0.06 2.02
		0.1	9.9	695	695	10+00	0.01 4.02
3.05				0+40	695		
				690	690		
				0+40	BEGIN PROJECT	10+00	
				10		10	
				10		10	
				10		10	
				TOTAL THIS SHEET			
							4.6 266
				T.R. M2 T.R. 169 TO C.R. 424 SHOULDER RECONSTRUCTION			

FULL CROSS SECTION

CROSS SECTIONS - STA. 0+32 TO 19+00

ENGINEER/ROADS/ROADS/M2-168-424/2019/DRAWINGS/XS1

EARTHWORK										EARTHWORK															
END AREA					VOLUME					END AREA					VOLUME										
FILL	FILL	FILL	FILL		FILL	FILL	FILL	FILL		FILL	FILL	FILL	FILL		FILL	FILL	FILL	FILL							
BERM	DIRT	BERM	DIRT		BERM	DIRT	BERM	DIRT		BERM	DIRT	BERM	DIRT		BERM	DIRT	BERM	DIRT							
			0.0	4.5	690					690															
0.00	1.21			49+00	685					685				59+00	0.09	3.02									
			0.1	5.2	690					690											1.0	14.1			
0.07	1.58			48+00	685					685				58+00	0.45	4.62									
			0.1	5.4	690					690											1.1	19.6			
0.00	1.33			47+00	685					685				57+00	0.13	5.96									
			0.0	4.9	690					690											0.3	17.4			
0.00	1.30			46+00	685					685				56+00	0.02	3.45									
			0.4	11.0	690					690											0.1	12.7			
0.22	4.66			45+00	685					685				55+00	0.04	3.39									
			0.4	8.6	690					690											0.7	13.1			
0.00	0.00			44+00	685					685				54+00	0.35	3.66									
			0.3	5.0	690					685											1.3	12.5			
0.18	2.69			43+00	685					680				53+00	0.33	3.10									
			0.5	12.2	690					690											0.6	8.5			
0.11	3.90			42+00	685					685				52+00	0.00	1.51									
			0.3	17.6	690					690											0.0	4.3			
0.05	5.60			41+00	685					685				51+00	0.00	0.81									
0.04	3.30		0.2	16.5	690					690											0.0	3.8			
0.48	4.21		1.0	13.9	695					690				50+00	0.00	1.23									
				40+00	690					685											8.4	211			
					690					685															
					40+00					50+00															
					10					10															
					0					0															
					ROADWAY					ROADWAY															
					RD. M2					RD. M2															
					BASELINE					BASELINE															
					NORTH E.P.					NORTH E.P.															
					SOUTH E.P.					SOUTH E.P.															

SEE PLAN SHEET FOR GUARDRAIL LOCATIONS
NOTE: THIS RUN OF GUARDRAIL SHALL USE 8' LONG POSTS

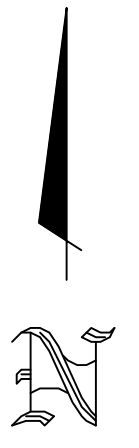
TOTAL THIS SHEET

T.R. M2
T.R. 169 TO C.R. 424
SHOULDER RECONSTRUCTION

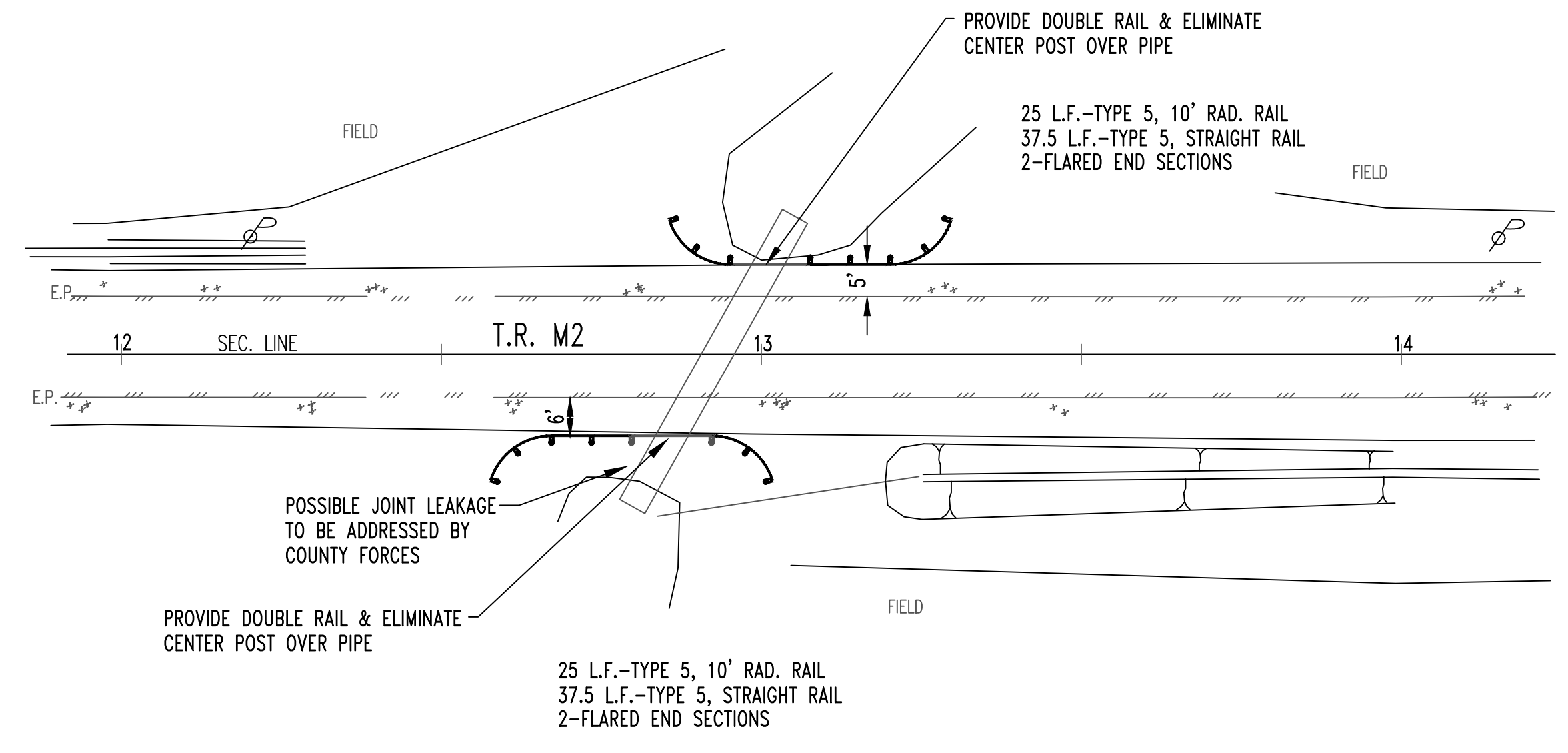
FULL CROSS SECTION

CROSS SECTIONS - STA. 40+00 TO 59+00

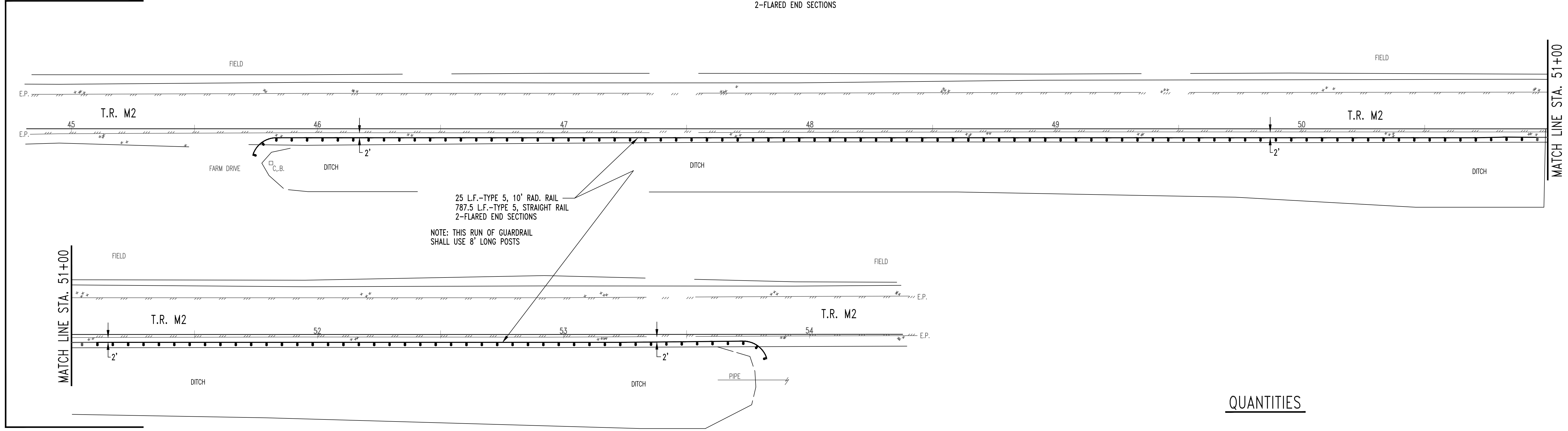
ENGINEER/ROADS/ROADS/M2-168-424/2019/DRAWINGS/XSS



Scale: 1"=20'



NOTE: TOP OF GUARDRAIL TO BE 29" HIGH
COUNTY TO PLACE HAZARD MARKERS & REFLECTORS ON GUARDRAILS



QUANTITIES

GUARDRAIL LIST

925 L.F.-TYPE 5 STRAIGHT RAIL
75 L.F.-TYPE 5 10' RADIUS RAIL
25 L.F.-TYPE 5 30' RADIUS RAIL
8 FLARED END SECTIONS
28-STANDARD LENGTH POSTS
131-8' LONG POSTS
COST INCLUDES ALL RAILING, POSTS,
BLOCKOUTS, MOUNTING HARDWARE,
FLARED END SECTIONS & LABOR
COMPLETE & IN PLACE AT LOCATIONS
INDICATED ON PLAN SHEET

ITEM 203	EMBANKMENT	1153 C.Y.
ITEM 617	COMPACTED AGGREGATE (BERMSTONE)	48 C.Y.
ITEM 659	SEEDING & MULCHING	10969 S.Y.
ITEM 659	WATER	59 MGAL.
ITEM 659	COMMERCIAL FERTILIZER	0.5 TON
ITEM 209	LINEAR GRADING	STA. 0+40 TO 92+85
GRADE EXISTING & ADDED BERM ON BOTH SIDES OF ROAD TO CONFORM TO 1'/FT SLOPE. ADD OR KNOCK DOWN BERMSTONE AS NEEDED.		

