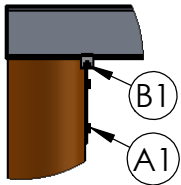


MOUNTING OPTIONS:

PILING MOUNT

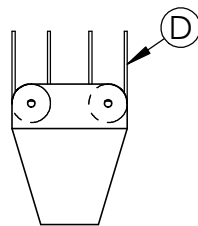


(A1) 2X 1/2" SS LAG BOLT
2" MIN. LENGTH
(B1) 2X 1/2" SS HEX NUT

CABLE ROUTING:

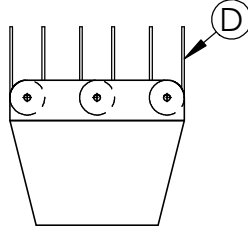
4 PART

20K - 30K LIFTS

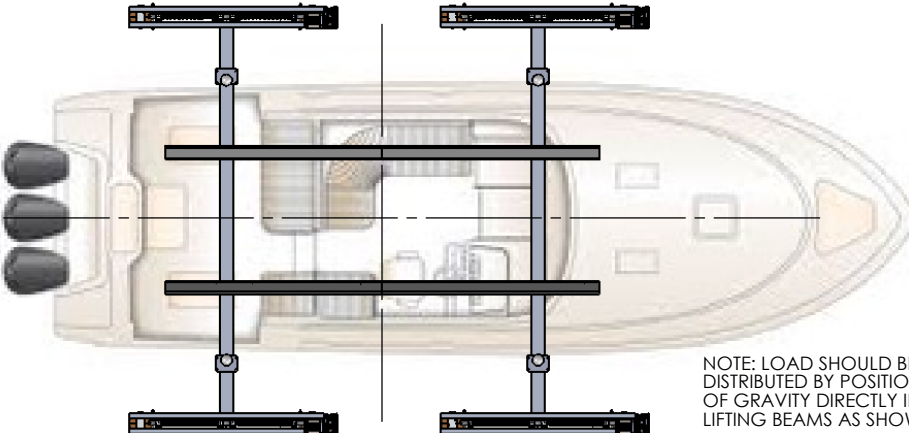
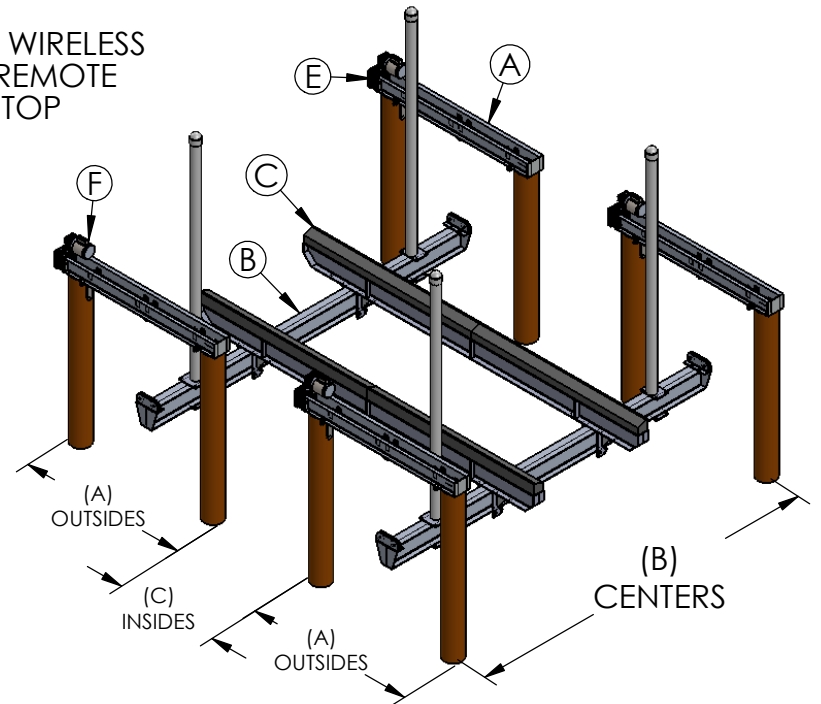


6 PART

40K LIFTS



NOTE: CONTROLS WIRELESS
TEC4 A/C REMOTE
W/ AUTO STOP



NOTE: LOAD SHOULD BE EVENLY
DISTRIBUTED BY POSITIONING THE CENTER
OF GRAVITY DIRECTLY IN THE CENTER OF THE
LIFTING BEAMS AS SHOWN IN THE ILLUSTRATION

8 PILING BOAT LIFT PILING SPACING

	(A) BOW TO STERN (OUTSIDES)	(B) PORT TO STARBOARD (CENTERS)
20,000 LB.	86 IN	15 FT
24,000 LB.		16 FT
30,000 LB.		
40,000 LB.	94 IN	18 FT
(C) DISTANCE BETWEEN SETS BOW TO STERN (INSIDES)		
20,000-30,000 LBS.	4 FT - 4 IN MAX	
40,000 LBS.	3 FT - 8 IN MAX	

8 PILING BOAT LIFT SPECIFICATION SHEET

2018	TOP BEAM (A)	CRADLE BEAM (B)	BUNKS (C)	CABLE SIZE (D)	DRIVE (E)	H.P. MOTOR (F)	DRIVE SHAFT	MINIMUM PILING (SIZE & QTY.)
20,000 LB.	7" CHANNEL X 86"	6" X 10" X 15'	15' I-BEAM BUNKS	5/16" SS 7/19 (.313) 4 PART	DIRECT DRIVE	3/4 H.P. (QTY. 4) 220V 4.9A EACH	1-1/2" (SCH 40)	10" (QTY. 4)
24,000 LB.		7" X 12" X 16'						
30,000 LB.	8" CHANNEL X 86"	DUAL 6" X 10" X 16'						
40,000 LB.	8" CHANNEL X 94"	DUAL 7" X 12" X 18'						

TITLE:
**20K-40K 8 POLE BOAT LIFT
ENGINEERING SHEET**

PH: 800-325-1116
FAX: 252-747-4377
TIDETAMER.COM
P.O. BOX 1118
SNOW HILL, NC 28580

PROPRIETARY AND CONFIDENTIAL
THE INFORMATION CONTAINED IN THIS DRAWING IS THE SOLE PROPERTY OF TIDE TAMER INDUSTRIES. ANY REPRODUCTION IN PART OR AS A WHOLE WITHOUT THE WRITTEN PERMISSION OF TIDE TAMER INDUSTRIES IS PROHIBITED.

ENGINEERING SEAL AFFIXED HERETO VALIDATES STRUCTURAL DESIGN AS SHOWN ONLY. USE OF THIS SPECIFICATION BY CONTRACTOR, et. al. IDEMNIFIES & SAVES HARMLESS THIS ENGINEER FOR ALL COST & DAMAGES INCLUDING LEGAL FEES & APPELLATE FEES RESULTING FROM MATERIAL FABRICATION, SYSTEM ERECTION & CONSTRUCTION PRACTICES BEYOND THAT WHICH IS CALLED FOR BY LOCAL, STATE, & FEDERAL CODES & FORM DEVIATIONS OF THIS PLAN, EXCEPT AS EXPRESSLY PROVIDED IN HEREIN, NO CERTIFICATION OR AFFIRMATIONS ARE INTENDED. PAUL WELCH, INC. HAS NOT VISITED THIS JOB SITE. INFORMATION CONTAINED HEREIN IS BASED ON CONTRACTOR SUPPLIED DATA AND MEASUREMENTS. PAUL WELCH, INC. SHALL NOT BE HELD RESPONSIBLE OR LIABLE IN ANY WAY FOR ERRONEOUS OR INACCURATE DATA OR MEASUREMENTS. WORK SHALL BE VERIFIED PRIOR TO CONSTRUCTION. PAUL WELCH, INC. SHALL BE NOTIFIED AND GIVEN AN OPPORTUNITY TO REEVALUATE OUR WORK UPON DISCOVERY OF ANY INACCURATE INFORMATION PRIOR TO MODIFICATION OF EXISTING FIELD CONDITIONS AND FABRICATION AND INSTALLATION OF MATERIALS.

ENGINEERS SEAL

SIZE DWG. NO. REV
A ENGINEERING **2**
SCALE: AS NOTED DRAWN BY: ACC DATE: 5-10-19 SHEET 1 OF 1