

THE WORLD'S FIRST SQUEEZABLE KRAUT

Like most great products, Sauer Frau was born out of necessity. While ordering a brat with sauerkraut at a baseball game, Wisconsin-native, Tracy Lundberg, was appalled at the condition of the kraut. Unlike other condiments, it sat stagnant in a plastic pan with tongs and hordes of flies for hours on end. There had to be a better way. The first and only squeezable sauerkraut was born!

Less waste, less mess, less hassle!



- Shelf-stable
- Tailgate ready
- Exceptional taste & quality
- **NON-GMO (Classic & Bavarian)**
- No sugar added (Classic & Craft Beer Mustard)
- **Gluten-free (Classic & Bavarian)**
- Fermented/Active cultures
- **Made in the USA**

Perfect in the condiment aisle, refrigerated section, or at the meat counter!



18 OZ SAUER FRAU SQUEEZABLE SAUERKRAUT



Nutrition Facts
17 servings per container
Serving size 2tbsp (30g)

Amount Per Serving		5
		%Daily Value
Calories		
Total Fat 0g		0%
Saturated Fat 0g		0%
Trans Fat 0g		
Cholesterol 0mg		0%
Sodium 160mg		7%
Total Carbohydrate 1g		0%
Dietary Fiber 1g		4%
Total Sugars 0g		
Includes 0g Added Sugars		0%
Protein 0g		
Vitamin D 0mcg		0%
Calcium 0mg		0%
Iron 0mg		0%
Potassium 0mg		0%
Vitamin C 10mg		10%

*The % Daily Value tells you how much a nutrient in a serving of food contributes to a daily diet. 2,000 calories a day is used for general nutrition advice.

Nutrition Facts
17 servings per container
Serving size 2tbsp (30g)

Amount Per Serving		5
		%Daily Value
Calories		
Total Fat 0g		0%
Saturated Fat 0g		0%
Trans Fat 0g		
Cholesterol 0mg		0%
Sodium 200mg		9%
Total Carbohydrate 1g		0%
Dietary Fiber 1g		4%
Total Sugars 0g		
Includes 0g Added Sugars		0%
Protein 0g		
Vitamin D 0mcg		0%
Calcium 0mg		0%
Iron 0mg		0%
Potassium 0mg		0%
Vitamin C 9mg		10%

*The % Daily Value tells you how much a nutrient in a serving of food contributes to a daily diet. 2,000 calories a day is used for general nutrition advice.

Nutrition Facts
17 servings per container
Serving size 2tbsp (30g)

Amount Per Serving		10
		%Daily Value
Calories		
Total Fat 0g		0%
Saturated Fat 0g		0%
Trans Fat 0g		
Cholesterol 0mg		0%
Sodium 160mg		7%
Total Carbohydrate 2g		1%
Dietary Fiber 1g		4%
Total Sugars <1g		
Includes <1g Added Sugars		2%
Protein 0g		
Vitamin D 0mcg		0%
Calcium 0mg		0%
Iron 0mg		0%
Potassium 0mg		0%
Vitamin C 10mg		10%

*The % Daily Value tells you how much a nutrient in a serving of food contributes to a daily diet. 2,000 calories a day is used for general nutrition advice.

INGREDIENTS:
SAUERKRAUT (CABBAGE, WATER, SALT), SAUERKRAUT JUICE, NON-GMO MODIFIED CORN STARCH, CITRUS FIBER, GUAR GUM.



INGREDIENTS:
SAUERKRAUT (CABBAGE, WATER, SALT), SAUERKRAUT JUICE, CRAFT BEER MUSTARD (DISTILLED WHITE VINEGAR, #1 MUSTARD SEED, SUGAR, SALT, HORSERADISH, BELGIAN STYLE CREAM ALE (MALTED BARLEY, MALTED WHEAT, UNMalted WHEAT, OATS, RICE HULLS, HOPS, CORN SUGAR, SPICES, WATER, YEAST), SPICES), GUAR GUM, CITRUS FIBER, XANTHAN GUM.

CONTAINS: WHEAT



INGREDIENTS:
SAUERKRAUT (CABBAGE, WATER, SALT), SAUERKRAUT JUICE, SUGAR, GUAR GUM, CARAWAY SEED, XANTHAN GUM, CITRUS FIBER.



12 OZ SAUER FRAU SQUEEZABLE SAUERKRAUT



Nutrition Facts

11 servings per container
Serving size 2tbsp (30g)

Amount Per Serving		5	%Daily Value
Calories			
Total Fat 0g	0%		
Saturated Fat 0g	0%		
Trans Fat 0g			
Cholesterol 0mg	0%		
Sodium 160mg	7%		
Total Carbohydrate 1g	0%		
Dietary Fiber 1g	4%		
Total Sugars 0g			
Includes 0g Added Sugars	0%		
Protein 0g			
Vitamin D 0mcg	0%		
Calcium 0mg	0%		
Iron 0mg	0%		
Potassium 0mg	0%		
Vitamin C 10mg	10%		

*The % Daily Value tells you how much a nutrient in a serving of food contributes to a daily diet. 2,000 calories a day is used for general nutrition advice.

INGREDIENTS:

SAUERKRAUT (CABBAGE, WATER, SALT), SAUERKRAUT JUICE, NON-GMO MODIFIED CORN STARCH, CITRUS FIBER, GUAR GUM.



Nutrition Facts

11 servings per container
Serving size 2tbsp (30g)

Amount Per Serving		5	%Daily Value
Calories			
Total Fat 0g	0%		
Saturated Fat 0g	0%		
Trans Fat 0g			
Cholesterol 0mg	0%		
Sodium 200mg	9%		
Total Carbohydrate 1g	0%		
Dietary Fiber 1g	4%		
Total Sugars 0g			
Includes 0g Added Sugars	0%		
Protein 0g			
Vitamin D 0mcg	0%		
Calcium 0mg	0%		
Iron 0mg	0%		
Potassium 0mg	0%		
Vitamin C 9mg	10%		

*The % Daily Value tells you how much a nutrient in a serving of food contributes to a daily diet. 2,000 calories a day is used for general nutrition advice.

INGREDIENTS:

SAUERKRAUT (CABBAGE, WATER, SALT), SAUERKRAUT JUICE, CRAFT BEER MUSTARD (DISTILLED WHITE VINEGAR, #1 MUSTARD SEED, SUGAR, SALT, HORSERADISH, BELGIAN STYLE CREAM ALE (MALTED BARLEY, MALTED WHEAT, UNMalted WHEAT, OATS, RICE HULLS, HOPS, CORN SUGAR, SPICES, WATER, YEAST), SPICES), GUAR GUM, CITRUS FIBER, XANTHAN GUM.

CONTAINS: WHEAT



Floor Display
18 oz bottles

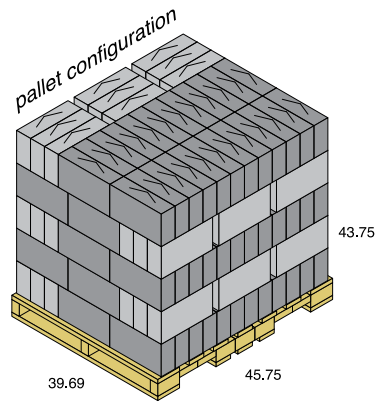
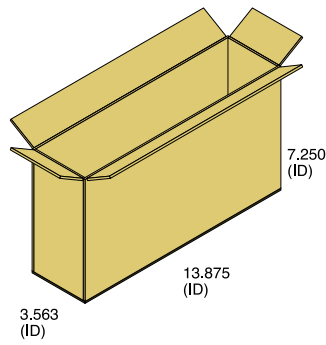




18 oz Sauer Frau

	Shipper (ID)	Shipper (OD)	UnitLoad (Incl. Pal)
Ln:	13.875 in	14.125 in	45.75 in
Wd:	3.563 in	3.813 in	39.69 in
Ht:	7.250 in	7.750 in	43.75 in
Net:		6.00 lb	990.00 lb
Grs:		7.00 lb	1220.00 lb
Cube:	0.207 ft3	0.242 ft3	45.970 ft3

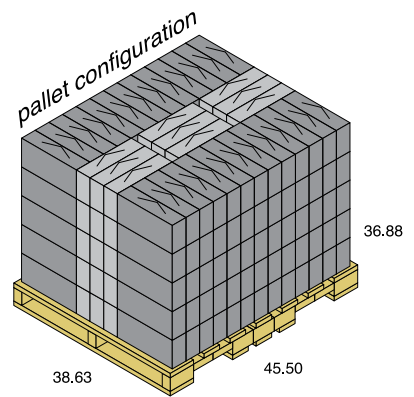
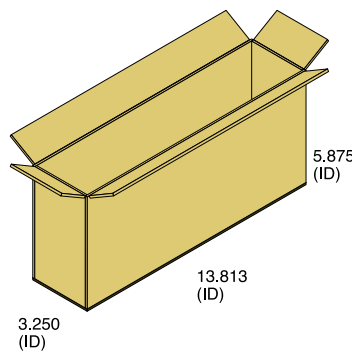
Cases per layer: 33 Layers/load: 5



12 oz Sauer Frau

	Shipper (ID)	Shipper (OD)	UnitLoad (Incl. Pal)
Ln:	13.813 in	14.063 in	45.50 in
Wd:	3.250 in	3.500 in	38.63 in
Ht:	5.875 in	6.375 in	36.88 in
Net:		6.00 lb	1050.00 lb
Grs:		6.00 lb	1115.00 lb
Cube:	0.153 ft3	0.182 ft3	37.503 ft3

Cases per layer: 35 Layers/load: 5



Ken Kellerhals - Chief Executive Officer
314.749.1107 | ken@pcsgourmetfoods.com

Dana James - President
314.369.5818 | dana@pcsgourmetfoods.com