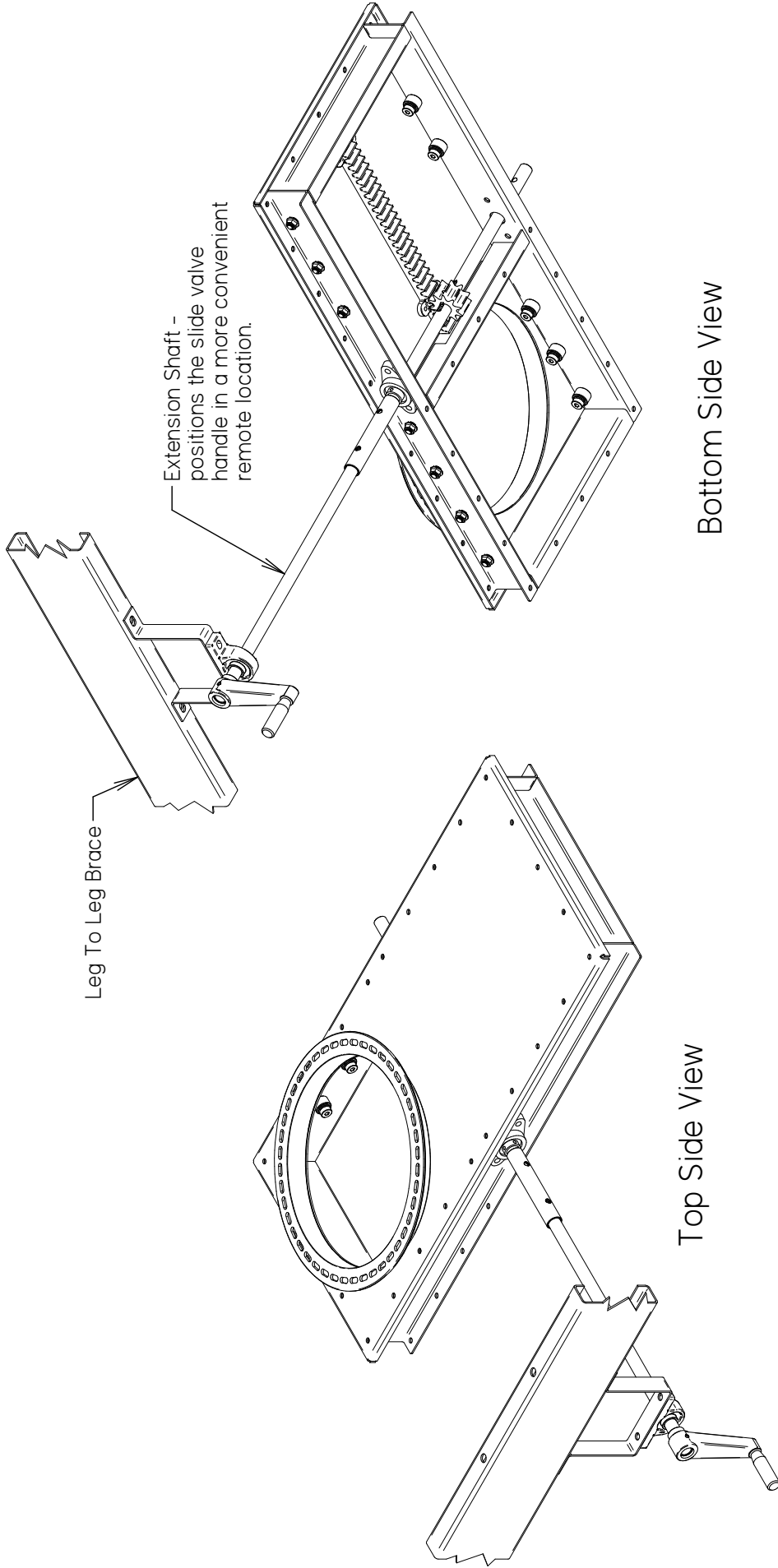


Commercial Roller Slide Valve



PROPERTY OF:
 BUSHNELL ILLINOIS TANK COMPANY
 ALSO DBA SCHULD / BUSHNELL
 309-772-3106

SCHULD / BUSHNELL
 P.O. BOX 179 • 380 EAST MAIN STREET • BUSHNELL, ILLINOIS 61422
 Ph: 309-772-3106

16" Commercial Roller Slide Valve

DRAWN BY:
 R. NORRIS

DATE:
 MAY 20, 2019