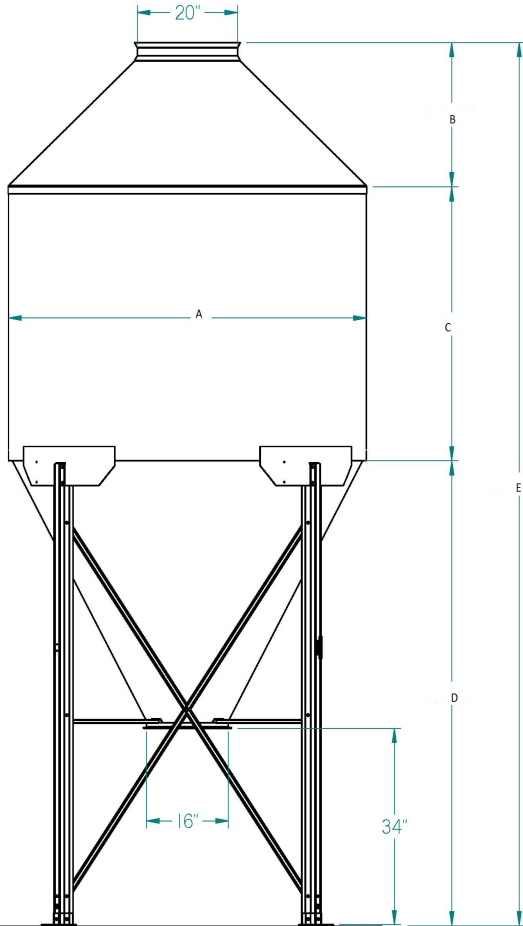


# HP60 Bolted Bin Dimensions & Cu. Ft. Capacity



| Welded Bin HP60 MODEL | Net Total Cu. Ft | Dimension A | Dimension B | Dimension C | Dimension D | Dimension E |
|-----------------------|------------------|-------------|-------------|-------------|-------------|-------------|
| HP60 6x3              | 143              | 6'          | 2'-1.3"     | 3'          | 6'-9.5"     | 11'-11"     |
| HP60 6x4              | 170              | 6'          | 2'-1.3"     | 4'          | 6'-9.5"     | 12'-11"     |
| HP60 6x5              | 197              | 6'          | 2'-1.3"     | 5'          | 6'-9.5"     | 13'-11"     |
| HP60 6x6              | 224              | 6'          | 2'-1.3"     | 6'          | 6'-9.5"     | 14'-11"     |
| HP60 6x7              | 251              | 6'          | 2'-1.3"     | 7'          | 6'-9.5"     | 15'-9"      |
| HP60 6x8              | 277              | 6'          | 2'-1.3"     | 8'          | 6'-9.5"     | 16'-9"      |
| HP60 6x9              | 304              | 6'          | 2'-1.3"     | 9'          | 6'-9.5"     | 17'-9"      |
| HP60 6x10             | 331              | 6'          | 2'-1.3"     | 10'         | 6'-9.5"     | 18'-9"      |
| HP60 6x11             | 358              | 6'          | 2'-1.3"     | 11'         | 6'-9.5"     | 19'-9"      |
| HP60 6x12             | 385              | 6'          | 2'-1.3"     | 12'         | 6'-9.5"     | 20'-9"      |

| 6' Diameter                    |                            |                   |                               | Model HP60<br>Bolted Bin         |                     |             |                     | 42° High Pitch Top Cone (Roof)<br>60° Bottom Cone (Hopper) |                     |              |                     |
|--------------------------------|----------------------------|-------------------|-------------------------------|----------------------------------|---------------------|-------------|---------------------|--|---------------------|--------------|---------------------|
| Model<br>HP60<br>Bolted<br>Bin | Bin<br>Diameter in<br>Feet | Overall<br>Height | Net<br>Total<br>Cubic<br>Feet | Ton Capacity per Material Weight |                     |             |                     |  |                     |              |                     |
|                                |                            |                   |                               | 40 lb/cu ft                      | Empty<br>Bin Weight | 60 lb/cu ft | Empty<br>Bin Weight | 80 lb/cu ft  | Empty<br>Bin Weight | 100 lb/cu ft | Empty<br>Bin Weight |
| 6x3                            | 6.0                        | 11'11"            | 143.0                         | 2.9                              | 393.0               | 4.3         | 472.0               | 5.7  | 484.0               | 7.2          | 550.0               |
| 6x4                            | 6.0                        | 12'11"            | 170.0                         | 3.4                              | 433.0               | 5.1         | 520.0               | 6.8  | 533.0               | 8.5          | 611.0               |
| 6x5                            | 6.0                        | 13'11"            | 197.0                         | 3.9                              | 473.0               | 5.9         | 568.0               | 7.9  | 587.0               | 9.8          | 672.0               |
| 6x6                            | 6.0                        | 14'11"            | 224.0                         | 4.5                              | 513.0               | 6.7         | 616.0               | 8.9  | 641.0               | 11.2         | 734.0               |
| 6x7                            | 6.0                        | 15'9"             | 251.0                         | 5.0                              | 553.0               | 7.5         | 664.0               | 10.0   | 697.0               | 12.5         | 802.0               |
| 6x8                            | 6.0                        | 16'9"             | 277.0                         | 5.5                              | 592.0               | 8.3         | 710.0               | 11.1   | 752.0               | 13.9         | 864.0               |
| 6x9                            | 6.0                        | 17'9"             | 304.0                         | 6.1                              | 632.0               | 9.1         | 758.0               | 12.2   | 809.0               | 15.2         | 923.0               |
| 6x10                           | 6.0                        | 18'9"             | 331.0                         | 6.6                              | 673.0               | 9.9         | 808.0               | 13.2   | 869.0               | 16.6         | 989.0               |
| 6x11                           | 6.0                        | 19'9"             | 358.0                         | 7.2                              | 711.0               | 10.7        | 853.0               | 14.3   | 924.0               | 17.9         | 1052.0              |
| 6x12                           | 6.0                        | 20'9"             | 385.0                         | 7.7                              | 751.0               | 11.5        | 901.0               | 15.4   | 984.0               | 19.2         | 1119.0              |