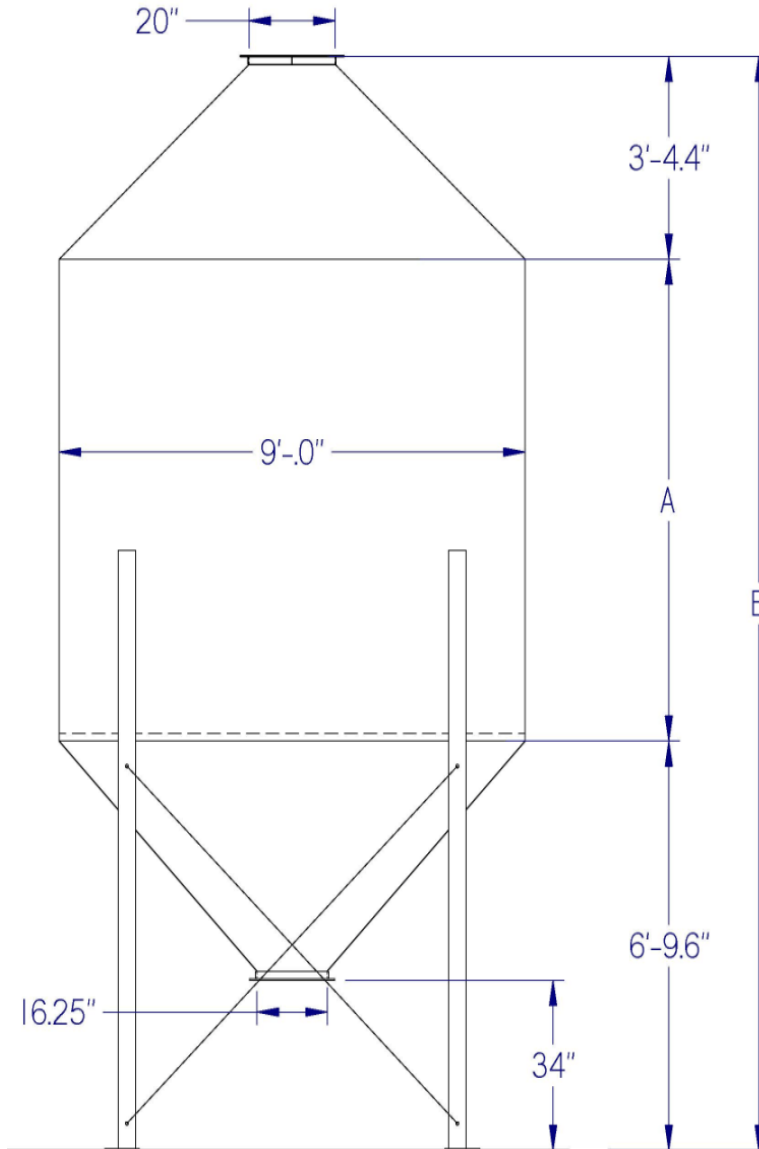


HP45 9' Diameter Dimensions & Cu. Ft. Capacity



| Welded Bin HP45 MODEL | Net Total Cu Ft | Dimension "A" | Dimension "B" |
|-----------------------|-----------------|---------------|---------------|
| HP45 9x8 | 629 | 8' | 18'-2" |
| HP45 9x9 | 690 | 9' | 19'-2" |
| HP45 9x10 | 750 | 10' | 20'-2" |
| HP45 9x11 | 811 | 11' | 21'-2" |
| HP45 9x12 | 871 | 12' | 22'-2" |
| HP45 9x13 | 931 | 13' | 23'-2" |
| HP45 9x14 | 992 | 14' | 24'-2" |
| HP45 9x15 | 1,052 | 15' | 25'-2" |
| HP45 9x16 | 1,113 | 16' | 26'-2" |
| HP45 9x17 | 1,173 | 17' | 27'-2" |
| HP45 9x18 | 1,233 | 18' | 28'-2" |
| HP45 9x19 | 1,294 | 19' | 29'-2" |
| HP45 9x20 | 1,354 | 20' | 30'-2" |
| HP45 9x21 | 1,414 | 21' | 31'-2" |
| HP45 9x22 | 1,475 | 22' | 32'-2" |
| HP45 9x23 | 1,535 | 23' | 33'-2" |
| HP45 9x24 | 1,596 | 24' | 34'-2" |
| HP45 9x25 | 1,656 | 25' | 35'-2" |
| HP45 9x26 | 1,716 | 26' | 36'-2" |
| HP45 9x27 | 1,777 | 27' | 37'-2" |
| HP45 9x28 | 1,837 | 28' | 38'-2" |
| HP45 9x29 | 1,897 | 29' | 39'-2" |
| HP45 9x30 | 1,958 | 30' | 40'-2" |
| HP45 9x31 | 2,018 | 31' | 41'-2" |
| HP45 9x32 | 2,079 | 32' | 42'-2" |
| HP45 9x33 | 2,139 | 33' | 43'-2" |
| HP45 9x34 | 2,199 | 34' | 44'-2" |
| HP45 9x35 | 2,260 | 35' | 45'-2" |
| HP45 9x36 | 2,320 | 36' | 46'-2" |
| HP45 9x37 | 2,381 | 37' | 47'-2" |
| HP45 9x38 | 2,441 | 38' | 48'-2" |
| HP45 9x39 | 2,501 | 39' | 49'-2" |
| HP45 9x40 | 2,562 | 40' | 50'-2" |
| HP45 9x41 | 2,622 | 41' | 51'-2" |
| HP45 9x42 | 2,682 | 42' | 52'-2" |
| HP45 9x43 | 2,743 | 43' | 53'-2" |
| HP45 9x44 | 2,803 | 44' | 54'-2" |
| HP45 9x45 | 2,864 | 45' | 55'-2" |
| HP45 9x46 | 2,924 | 46' | 56'-2" |
| HP45 9x47 | 2,984 | 47' | 57'-2" |
| HP45 9x48 | 3,045 | 48' | 58'-2" |
| HP45 9x49 | 3,105 | 49' | 59'-2" |
| HP45 9x50 | 3,165 | 50' | 60'-2" |
| HP45 9x51 | 3,226 | 51' | 61'-2" |
| HP45 9x52 | 3,286 | 52' | 62'-2" |
| HP45 9x53 | 3,347 | 53' | 63'-2" |
| HP45 9x54 | 3,407 | 54' | 64'-2" |
| HP45 9x55 | 3,467 | 55' | 65'-2" |
| HP45 9x56 | 3,528 | 56' | 66'-2" |
| HP45 9x57 | 3,588 | 57' | 67'-2" |
| HP45 9x58 | 3,648 | 58' | 68'-2" |
| HP45 9x59 | 3,709 | 59' | 69'-2" |
| HP45 9x60 | 3,769 | 60' | 70'-2" |

| 9' Diameter | | | Model HP45 Welded Bin | | | | 42° High Pitch Top Cone (Roof) 45° Bottom Cone (Hopper) | | | |
|--------------------------------|-------------------|-------------------------------|----------------------------------|------------------------|-------------|------------------------|--|------------------------|--------------|------------------------|
| Model HP45 Welded Bin | Overall Height | Net Total Cubic Feet | Ton Capacity per Material Weight | | | | | | | |
| | | | 40 lb/cu ft | Empty Bin Weight | 60 lb/cu ft | Empty Bin Weight | 80 lb/cu ft | Empty Bin Weight | 100 lb/cu ft | Empty Bin Weight |
| 9x8 | 18'2" | 629 | 12.6 | 1,573 | 18.9 | 1,627 | 25.2 | 1,640 | 31.5 | 1,953 |
| 9x9 | 19'2" | 690 | 13.8 | 1,695 | 20.7 | 1,777 | 27.6 | 1,922 | 34.5 | 2,070 |
| 9x10 | 20'2" | 750 | 15.0 | 1,766 | 22.5 | 1,861 | 30.0 | 2,006 | 37.5 | 2,269 |
| 9x11 | 21'2" | 811 | 16.2 | 1,858 | 24.3 | 2,019 | 32.4 | 2,123 | 40.5 | 2,439 |
| 9x12 | 22'2" | 871 | 17.4 | 1,928 | 26.1 | 2,104 | 34.8 | 2,236 | 43.6 | 2,658 |
| 9x13 | 23'2" | 931 | 18.6 | 2,084 | 27.9 | 2,254 | 37.3 | 2,493 | 46.6 | 2,948 |
| 9x14 | 24'2" | 992 | 19.8 | 2,257 | 29.8 | 2,380 | 39.7 | 2,705 | 49.6 | 3,140 |
| 9x15 | 25'2" | 1,052 | 21.0 | 2,468 | 31.6 | 2,564 | 42.1 | 2,943 | 52.6 | 3,313 |
| 9x16 | 26'2" | 1,113 | 22.3 | 2,586 | 33.4 | 2,775 | 44.5 | 3,098 | 55.6 | 3,578 |
| 9x17 | 27'2" | 1,173 | 23.5 | 2,800 | 35.2 | 2,943 | 46.9 | 3,351 | 58.6 | 3,796 |
| 9x18 | 28'2" | 1,233 | 24.7 | 2,905 | 37.0 | 3,082 | 49.3 | 3,484 | 61.7 | 3,963 |
| 9x19 | 29'2" | 1,294 | 25.9 | 3,187 | 38.8 | 3,317 | 51.7 | 3,645 | 64.7 | 4,211 |
| 9x20 | 30'2" | 1,354 | 27.1 | 3,363 | 40.6 | 3,493 | 54.2 | 3,743 | 67.7 | 4,323 |
| 9x21 | 31'2" | 1,414 | 28.3 | 3,499 | 42.4 | 3,655 | 56.6 | 3,945 | 70.7 | 4,558 |
| 9x22 | 32'2" | 1,475 | 29.5 | 3,593 | 44.2 | 3,770 | 59.0 | 4,164 | 73.7 | 4,687 |
| 9x23 | 33'2" | 1,535 | 30.7 | 3,974 | 46.1 | 4,174 | 61.4 | 4,601 | 76.8 | 5,221 |
| 9x24 | 34'2" | 1,596 | 31.9 | 4,096 | 47.9 | 4,274 | 63.8 | 4,745 | 79.8 | 5,399 |
| 9x25 | 35'2" | 1,656 | 33.1 | 4,225 | 49.7 | 4,396 | 66.2 | 4,917 | 82.8 | 5,636 |
| 9x26 | 36'2" | 1,716 | 34.3 | 4,374 | 51.5 | 4,531 | 68.7 | 5,131 | 85.8 | 5,832 |
| 9x27 | 37'2" | 1,777 | 35.5 | 4,794 | 53.3 | 4,858 | 71.1 | 5,445 | 88.8 | 6,145 |
| 9x28 | 38'2" | 1,837 | 36.7 | 4,917 | 55.1 | 4,978 | 73.5 | 5,609 | 91.9 | 5,455 |
| 9x29 | 39'2" | 1,897 | 37.9 | 5,033 | 56.9 | 5,295 | 75.9 | 5,788 | 94.9 | 6,668 |
| 9x30 | 40'2" | 1,958 | 39.2 | 5,211 | 58.7 | 5,474 | 78.3 | 5,905 | 97.9 | 6,800 |
| 9x31 | 41'2" | 2,018 | 40.4 | 5,660 | 60.5 | 5,772 | 80.7 | 6,101 | 100.9 | 7,145 |
| 9x32 | 42'2" | 2,079 | 41.6 | 5,803 | 62.4 | 5,835 | 83.1 | 6,486 | 103.9 | 7,303 |
| 9x33 | 43'2" | 2,139 | 42.8 | 5,981 | 64.2 | 6,108 | 85.6 | 6,697 | 106.9 | 7,548 |
| 9x34 | 44'2" | 2,199 | 44.0 | 6,111 | 66.0 | 6,238 | 88.0 | 6,877 | 110.0 | 7,798 |
| 9x35 | 45'2" | 2,260 | 45.2 | 6,430 | 67.8 | 6,608 | 90.4 | 7,164 | 113.0 | 8,166 |
| 9x36 | 46'2" | 2,320 | 46.4 | 6,605 | 69.6 | 6,795 | 92.8 | 7,371 | 116.0 | 8,357 |
| 9x37 | 47'2" | 2,381 | 47.6 | 7,139 | 71.4 | 7,266 | 95.2 | 7,489 | 119.0 | 8,510 |
| 9x38 | 48'2" | 2,441 | 48.8 | 7,272 | 73.2 | 7,399 | 97.6 | 7,670 | 122.0 | 9,083 |
| 9x39 | 49'2" | 2,501 | 50.0 | 7,619 | 75.0 | 7,679 | 100.1 | 8,076 | 125.1 | 9,396 |
| 9x40 | 50'2" | 2,562 | 51.2 | 7,738 | 76.8 | 7,804 | 102.5 | 8,154 | 128.1 | 9,552 |
| 9x41 | 51'2" | 2,622 | 52.4 | 7,915 | 78.7 | 8,021 | 104.9 | 8,374 | 131.1 | 9,729 |
| 9x42 | 52'2" | 2,682 | 53.6 | 8,095 | 80.5 | 8,264 | 107.3 | 8,867 | 134.1 | 9,909 |
| 9x43 | 53'2" | 2,743 | 54.9 | 8,280 | 82.3 | 8,494 | 109.7 | 9,102 | 137.1 | 10,092 |
| 9x44 | 54'2" | 2,803 | 56.1 | 8,469 | 84.1 | 8,730 | 112.1 | 9,344 | 140.2 | 10,495 |
| 9x45 | 55'2" | 2,864 | 57.3 | 8,797 | 85.9 | 9,363 | 114.5 | 9,707 | 143.2 | 10,801 |
| 9x46 | 56'2" | 2,924 | 58.5 | 8,995 | 87.7 | 9,615 | 117.0 | 9,962 | 146.2 | 10,998 |
| 9x47 | 57'2" | 2,984 | 59.7 | 9,478 | 89.5 | 9,876 | 119.4 | 10,225 | 149.2 | 11,197 |
| 9x48 | 58'2" | 3,045 | 60.9 | 9,688 | 91.3 | 10,144 | 121.8 | 10,722 | 152.2 | 11,400 |
| 9x49 | 59'2" | 3,105 | 62.1 | 9,902 | 93.2 | 10,419 | 124.2 | 11,003 | 155.3 | 11,608 |
| 9x50 | 60'2" | 3,165 | 63.3 | 10,122 | 95.0 | 10,703 | 126.6 | 11,291 | 158.3 | 11,993 |
| 9x51 | 61'2" | 3,226 | 64.5 | 10,347 | 96.8 | 10,995 | 129.0 | 11,588 | 161.3 | 12,209 |
| 9x52 | 62'2" | 3,286 | 65.7 | 10,576 | 98.6 | 11,533 | 131.4 | 11,892 | 164.3 | 12,430 |
| 9x53 | 63'2" | 3,347 | 66.9 | 10,812 | 100.4 | 11,846 | 133.9 | 12,386 | 167.3 | 12,654 |
| 9x54 | 64'2" | 3,407 | 68.1 | 11,296 | 102.2 | 12,167 | 136.3 | 12,711 | 170.3 | 13,495 |
| 9x55 | 65'2" | 3,467 | 69.3 | 11,546 | 104.0 | 12,498 | 138.7 | 13,045 | 173.4 | 13,864 |
| 9x56 | 66'2" | 3,528 | 70.6 | 11,800 | 105.8 | 12,838 | 141.1 | 13,387 | N/A | 14,244 |
| 9x57 | 67'2" | 3,588 | 71.8 | 12,061 | 107.6 | 13,378 | 143.5 | 13,740 | N/A | 14,635 |
| 9x58 | 68'2" | 3,648 | 73.0 | 12,327 | 109.5 | 13,740 | 145.9 | 14,611 | N/A | 15,038 |
| 9x59 | 69'2" | 3,709 | 74.2 | 12,600 | 111.3 | 14,113 | 148.4 | 14,990 | N/A | 15,454 |
| 9x60 | 70'2" | 3,769 | 75.4 | 13,074 | 113.1 | 14,496 | 150.8 | 15,379 | N/A | 15,882 |