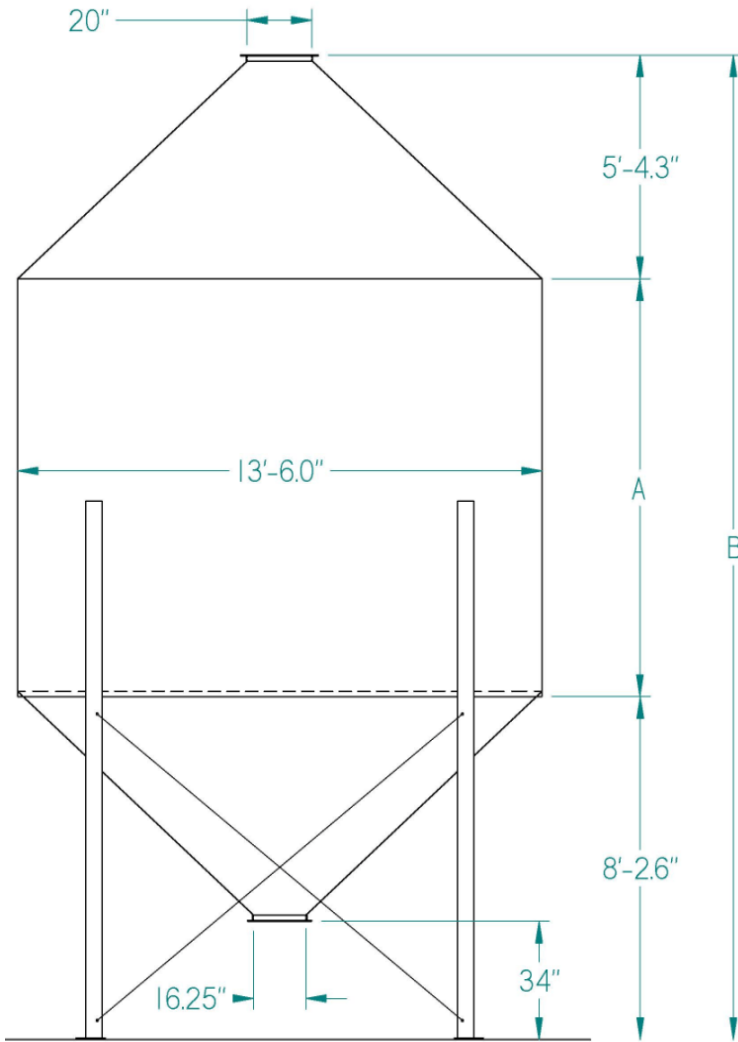


# HP45 13.5' Diameter Dimensions & Cu. Ft. Capacity



Welded Bin HP45 MODEL	Net Total Cu Ft	Dimension "A"	Dimension "B"
HP45 13.5x10	1,978	10'	23'-7"
HP45 13.5x11	2,121	11'	24'-7"
HP45 13.5x12	2,264	12'	25'-7"
HP45 13.5x13	2,407	13'	26'-7"
HP45 13.5x14	2,550	14'	27'-7"
HP45 13.5x15	2,693	15'	28'-7"
HP45 13.5x16	2,836	16'	29'-7"
HP45 13.5x17	2,978	17'	30'-7"
HP45 13.5x18	3,121	18'	31'-7"
HP45 13.5x19	3,264	19'	32'-7"
HP45 13.5x20	3,407	20'	33'-7"
HP45 13.5x21	3,550	21'	34'-7"
HP45 13.5x22	3,693	22'	35'-7"
HP45 13.5x23	3,836	23'	36'-7"
HP45 13.5x24	3,979	24'	37'-7"
HP45 13.5x25	4,122	25'	38'-7"
HP45 13.5x26	4,265	26'	39'-7"
HP45 13.5x27	4,407	27'	40'-7"
HP45 13.5x28	4,550	28'	41'-7"
HP45 13.5x29	4,693	29'	42'-7"
HP45 13.5x30	4,836	30'	43'-7"
HP45 13.5x31	4,979	31'	44'-7"
HP45 13.5x32	5,122	32'	45'-7"
HP45 13.5x33	5,265	33'	46'-7"
HP45 13.5x34	5,408	34'	47'-7"
HP45 13.5x35	5,551	35'	48'-7"
HP45 13.5x36	5,694	36'	49'-7"
HP45 13.5x37	5,836	37'	50'-7"
HP45 13.5x38	5,979	38'	51'-7"
HP45 13.5x39	6,122	39'	52'-7"
HP45 13.5x40	6,265	40'	53'-7"
HP45 13.5x41	6,408	41'	54'-7"
HP45 13.5x42	6,551	42'	55'-7"
HP45 13.5x43	6,694	43'	56'-7"
HP45 13.5x44	6,837	44'	57'-7"
HP45 13.5x45	6,980	45'	58'-7"
HP45 13.5x46	7,123	46'	59'-7"
HP45 13.5x47	7,266	47'	60'-7"
HP45 13.5x48	7,409	48'	61'-7"
HP45 13.5x49	7,552	49'	62'-7"
HP45 13.5x50	7,695	50'	63'-7"

