

TEST REPORT

No. : TJIN1811016213SC

Date : Nov 28, 2018

Page: 1 of 8

CUSTOMER NAME: HEBEI LINGNUO METAL AND WIREMESH PRODUCT CO., LIMITED
ADDRESS: A-001 HUAFU INDUSTRIES ZONE, RAOYANG COUNTY, HENGSHUI,
CHINA

Sample Name : TEMPORARY FENCE PANELS
Product Specification : OD40mm*1.4mm 2100mm*2400mm
Product or Lot No. : SCAFEST-20181028
Manufacturer : HEBEI LINGNUO METAL AND WIREMESH PRODUCT CO., LIMITED
Buyer : HEBEI LINGNUO METAL AND WIREMESH PRODUCT CO., LIMITED
Material and Mark : Q235
Other Information : HEBEI LINGNUO METAL AND WIREMESH PRODUCT CO., LIMITED
A-001 HUAFU INDUSTRIES ZONE, RAOYANG COUNTY, HENGSHUI,
CHINA.

Above information and sample(s) was/were submitted and confirmed by the client. SGS, however, assumes no responsibility to verify the accuracy, adequacy and completeness of the sample information provided by client.

SGS Ref. No. : SHIN181103237CCM
Date of Receipt : Nov 08, 2018
Testing Start Date : Nov 08, 2018
Testing End Date : Nov 28, 2018
Test result(s) : For further details, please refer to the following page(s)
(Unless otherwise stated the results shown in this test report refer only to the sample(s) tested)

Signed for
SGS-CSTC Standards Technical
Services(Tianjin) Co., Ltd



Mike Wang

Authorized signatory



SGS-CSTC Standards Technical Services (Tianjin) Co., Ltd.
Materials Laboratory

Unless otherwise agreed in writing, this document is issued by the Company subject to its General Conditions of Service printed overleaf, available on request or accessible at <http://www.sgs.com/en/Terms-and-Conditions.aspx> and, for electronic format documents, subject to Terms and Conditions for Electronic Documents at <http://www.sgs.com/en/Terms-and-Conditions/Terms-e-Document.aspx>. Attention is drawn to the limitation of liability, indemnification and jurisdiction issues defined therein. Any holder of this document is advised that information contained hereon reflects the Company's findings at the time of its intervention only and within the limits of Client's instructions, if any. The Company's sole responsibility is to its Client and this document does not exonerate parties to a transaction from exercising all their rights and obligations under the transaction documents. This document cannot be reproduced except in full, without prior written approval of the Company. Any unauthorized alteration, forgery or falsification of the content or appearance of this document is unlawful and offenders may be prosecuted to the fullest extent of the law. Unless otherwise stated the results shown in this test report refer only to the sample(s) tested and such sample(s) are retained for 30 days only.

Attention: To check the authenticity of testing / inspection report & certificate, please contact us at telephone: (86-755) 8307 1443, or email: CN.Doccheck@sgs.com

Building C-13, No.80, Haiyun Avenue, TEDA, Tianjin, China 300457 t (86-22) 5999 5319 f (86-22) 5999 5335 www.sgs.com.cn
中国·天津·经济技术开发区海云街80号C-13厂房 邮编: 300457 t (86-22) 5999 5319 f (86-22) 5999 5335 e sgs.china@sgs.com

TEST REPORT

No. : TJIN1811016213SC

Date : Nov 28, 2018

Page: 2 of 8

Summary of Result(s):

No.	Test Item	Test Method	Result	Conclusion
1	Simulated climbing test	AS 4687-2007 Clause 4.2	See result	Pass
2	Impact test	AS 4687-2007 Clause 4.3	See result	Pass
3	Infill aperture width test	AS 4687-2007 Clause 4.4.2	See result	Pass
4	Infill downward load test	AS 4687-2007 Clause 4.4.3	See result	Pass

Note: Pass : Meet the requirements;
 Fail : Does not meet the requirements;
 /: Not Apply to the judgment.



SGS-CSTC Inspection & Testing Services (Tianjin) Co., Ltd.
 Materials Laboratory

Unless otherwise agreed in writing, this document is issued by the Company subject to its General Conditions of Service printed overleaf, available on request or accessible at <http://www.sgs.com/en/Terms-and-Conditions.aspx> and, for electronic format documents, subject to Terms and Conditions for Electronic Documents at <http://www.sgs.com/en/Terms-and-Conditions/Terms-e-Document.aspx>. Attention is drawn to the limitation of liability, indemnification and jurisdiction issues defined therein. Any holder of this document is advised that information contained hereon reflects the Company's findings at the time of its intervention only and within the limits of Client's instructions, if any. The Company's sole responsibility is to its Client and this document does not exonerate parties to a transaction from exercising all their rights and obligations under the transaction documents. This document cannot be reproduced except in full, without prior written approval of the Company. Any unauthorized alteration, forgery or falsification of the content or appearance of this document is unlawful and offenders may be prosecuted to the fullest extent of the law. Unless otherwise stated the results shown in this test report refer only to the sample(s) tested and such sample(s) are retained for 30 days only.

Attention: To check the authenticity of testing / inspection report & certificate, please contact us at telephone: (86-755) 8307 1443, or email: CN.Doccheck@sgs.com

Building C-13, No.80, Haiyun Avenue, TEDA, Tianjin, China 300457 t (86-22) 5999 5319 f (86-22) 5999 5335 www.sgsgroup.com.cn
 中国·天津·经济技术开发区海云街80号C-13厂房 邮编: 300457 t (86-22) 5999 5319 f (86-22) 5999 5335 e sgs.china@sgs.com

TEST REPORT

No. : TJIN1811016213SC

Date : Nov 28, 2018

Page: 3 of 8

Sample information:

Fence panel: 2400mm×2100mm (Length × Height)

Infill: Φ3.0mm× 157mm×60mm×(Height ×Width)

Tube of frame: Φ32mm×1.4mm (Wall thickness)

Base plate: 600mm×240mm (Length ×Width), 27kg

Test method: AS 4687-2007 Temporary fencing and hoardings

Test result (Please see Annex A test schematic diagram for details):

Test clause	Test item	Test principle & requirements	Test result	Conclusion
4.2	Simulated climbing test	A temporary fence panel assembly consisting of three (3) continuous panels shall be tested. It shall be capable of supporting a 65kg load applied centrally to the middle of the assembly, top horizontal frame member at a lever arm of 400mm. The test load shall be maintained for a period of 3 min.	The sample was not overturn and base plates were not cocked, the sample was capable of supporting the load during test.	Pass
4.3	Impact test	An impact test shall be performed to test the robustness of the fence panel and its ability to withstand an impact force on the fence mesh or wire. A temporary fence panel assembly consisting of 1 panel shall be tested. It shall be capable of withstanding a 150j impact from 37kg, 150mm diameter torispherically shaped indenter (see Figure 4.3). For each test position the fence panel shall not- (a) show signs of penetration of the infill	All 4 points didn't show any signs of penetration, failure, cracking or overturn, all 4 points' dynamic deflection Not exceeded 300mm during test.	Pass



Unless otherwise agreed in writing, this document is issued by the Company subject to its General Conditions of Service printed overleaf, available on request or accessible at <http://www.sgs.com/en/Terms-and-Conditions.aspx> and, for electronic format documents, subject to Terms and Conditions for Electronic Documents at <http://www.sgs.com/en/Terms-and-Conditions/Terms-e-Document.aspx>. Attention is drawn to the limitation of liability, indemnification and jurisdiction issues defined therein. Any holder of this document is advised that information contained hereon reflects the Company's findings at the time of its intervention only and within the limits of Client's instructions, if any. The Company's sole responsibility is to its Client and this document does not exonerate parties to a transaction from exercising all their rights and obligations under the transaction documents. This document cannot be reproduced except in full, without prior written approval of the Company. Any unauthorized alteration, forgery or falsification of the content or appearance of this document is unlawful and offenders may be prosecuted to the fullest extent of the law. Unless otherwise stated the results shown in this test report refer only to the sample(s) tested and such sample(s) are retained for 30 days only.

Attention: To check the authenticity of testing / inspection report & certificate, please contact us at telephone: (86-755) 8307 1443, or email: CN.Doccheck@sgs.com

SGS-CSTC Inspection & Testing Services (Tianjin) Co., Ltd.
Materials Laboratory

Building C-13, No.80, Haiyun Avenue, TEDA, Tianjin, China 300457 t (86-22) 5999 5319 f (86-22) 5999 5335 www.sgsgroup.com.cn
中国·天津·经济技术开发区海云街80号C-13厂房 邮编: 300457 t (86-22) 5999 5319 f (86-22) 5999 5335 e sgs.china@sgs.com

TEST REPORT

No. : TJIN1811016213SC

Date : Nov 28, 2018

Page: 4 of 8

Test clause	Test item	Test principle & requirements	Test result	Conclusion
		material; (b) show signs of failure between connecting materials and support frame; (c) show signs of cracking or fractures on panels framework; (d) overturn due to impact; and (e) exceed a dynamic deflection of 300mm at the point of impact.		
4.4.2	Infill aperture width test	Temporary fence panel infill material shall have a maximum horizontal, clear aperture dimension of 75mm. when tested in accordance with Figure 4.4(a), a 76mm×76mm cube shaped block shall not pass through the openings of the infill material.	The maximum horizontal, clear aperture dimension is 60mm, the 76mm×76mm cube shaped block could not pass through the openings of the infill material.	Pass
4.4.3	Infill downward load test	When test in accordance with Figure 4.4(b) or Figure 4.4(c), a load of 1.0kN shall be applied and maintained for a minimum period of 60 seconds. When measured at the point of load and after 55 seconds have elapsed, the downward deflection of the infill material (O_{max}) shall not exceed 35mm.	The downward deflection in accordance with Figure 4.4(b) is 18mm and the downward deflection in accordance with Figure 4.4(c) is 2mm	Pass



Unless otherwise agreed in writing, this document is issued by the Company subject to its General Conditions of Service printed overleaf, available on request or accessible at <http://www.sgs.com/en/Terms-and-Conditions.aspx> and, for electronic format documents, subject to Terms and Conditions for Electronic Documents at <http://www.sgs.com/en/Terms-and-Conditions/Terms-e-Document.aspx>. Attention is drawn to the limitation of liability, indemnification and jurisdiction issues defined therein. Any holder of this document is advised that information contained hereon reflects the Company's findings at the time of its intervention only and within the limits of Client's instructions, if any. The Company's sole responsibility is to its Client and this document does not exonerate parties to a transaction from exercising all their rights and obligations under the transaction documents. This document cannot be reproduced except in full, without prior written approval of the Company. Any unauthorized alteration, forgery or falsification of the content or appearance of this document is unlawful and offenders may be prosecuted to the fullest extent of the law. Unless otherwise stated the results shown in this test report refer only to the sample(s) tested and such sample(s) are retained for 30 days only.

Attention: To check the authenticity of testing / inspection report & certificate, please contact us at telephone: (86-755) 8307 1443, or email: CN.Doccheck@sgs.com

SGS-CSTC Inspection & Testing Services (Tianjin) Co., Ltd.
Materials Laboratory

Building C-13, No.80, Haiyun Avenue, TEDA, Tianjin, China 300457 t (86-22) 5999 5319 f (86-22) 5999 5335 www.sgs.com.cn
 中国·天津·经济技术开发区海云街80号C-13厂房 邮编: 300457 t (86-22) 5999 5319 f (86-22) 5999 5335 e sgs.china@sgs.com

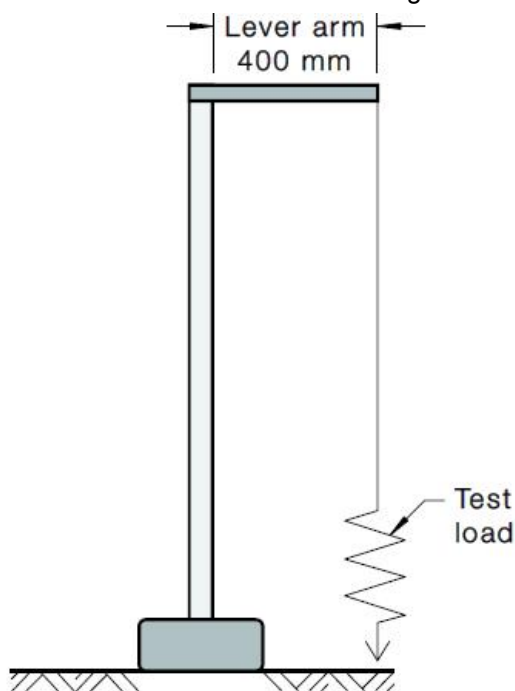
TEST REPORT

No. : TJIN1811016213SC

Date : Nov 28, 2018

Page: 5 of 8

Annex A Test schematic diagram



Minimum test load required
0.64 kN (65 kg) for a 3 panel assembly

FIGURE 4.2 SIMULATED CLIMBING TEST



Unless otherwise agreed in writing, this document is issued by the Company subject to its General Conditions of Service printed overleaf, available on request or accessible at <http://www.sgs.com/en/Terms-and-Conditions.aspx> and, for electronic format documents, subject to Terms and Conditions for Electronic Documents at <http://www.sgs.com/en/Terms-and-Conditions/Terms-e-Document.aspx>. Attention is drawn to the limitation of liability, indemnification and jurisdiction issues defined therein. Any holder of this document is advised that information contained hereon reflects the Company's findings at the time of its intervention only and within the limits of Client's instructions, if any. The Company's sole responsibility is to its Client and this document does not exonerate parties to a transaction from exercising all their rights and obligations under the transaction documents. This document cannot be reproduced except in full, without prior written approval of the Company. Any unauthorized alteration, forgery or falsification of the content or appearance of this document is unlawful and offenders may be prosecuted to the fullest extent of the law. Unless otherwise stated the results shown in this test report refer only to the sample(s) tested and such sample(s) are retained for 30 days only.

Attention: To check the authenticity of testing / inspection report & certificate, please contact us at telephone: (86-755) 8307 1443, or email: CN.Doccheck@sgs.com

SGS-CSTC Inspection & Testing Services (Tianjin) Co., Ltd.
Materials Laboratory

Building C-13, No.80, Haiyun Avenue, TEDA, Tianjin, China 300457 t (86-22) 5999 5319 f (86-22) 5999 5335 www.sgs.com.cn
中国·天津·经济技术开发区海云街80号C-13厂房 邮编: 300457 t (86-22) 5999 5319 f (86-22) 5999 5335 e sgs.china@sgs.com

TEST REPORT

No. : TJIN1811016213SC

Date : Nov 28, 2018

Page: 6 of 8

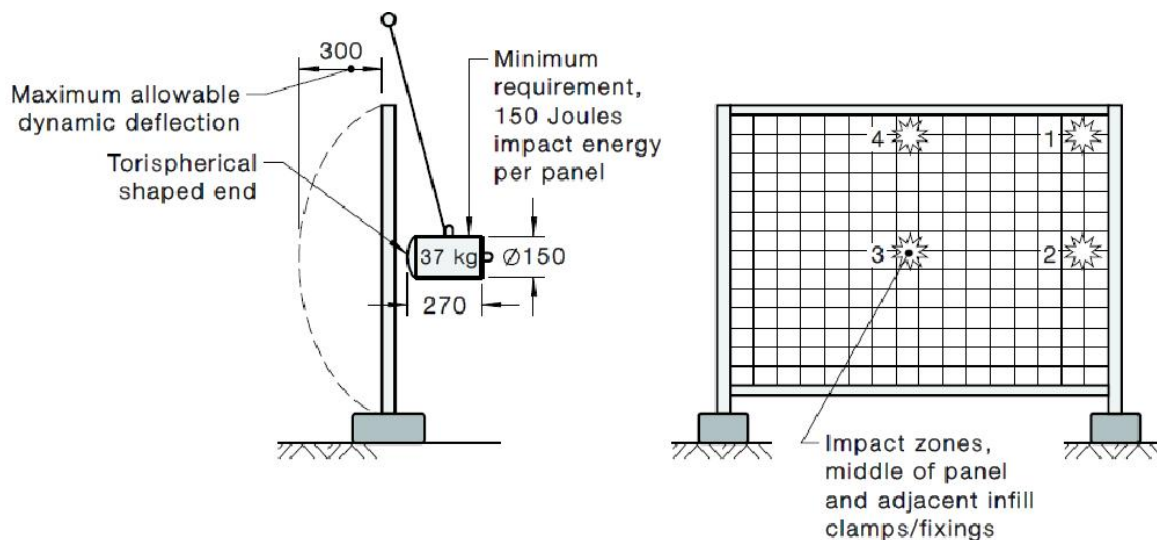


FIGURE 4.3 IMPACT TEST

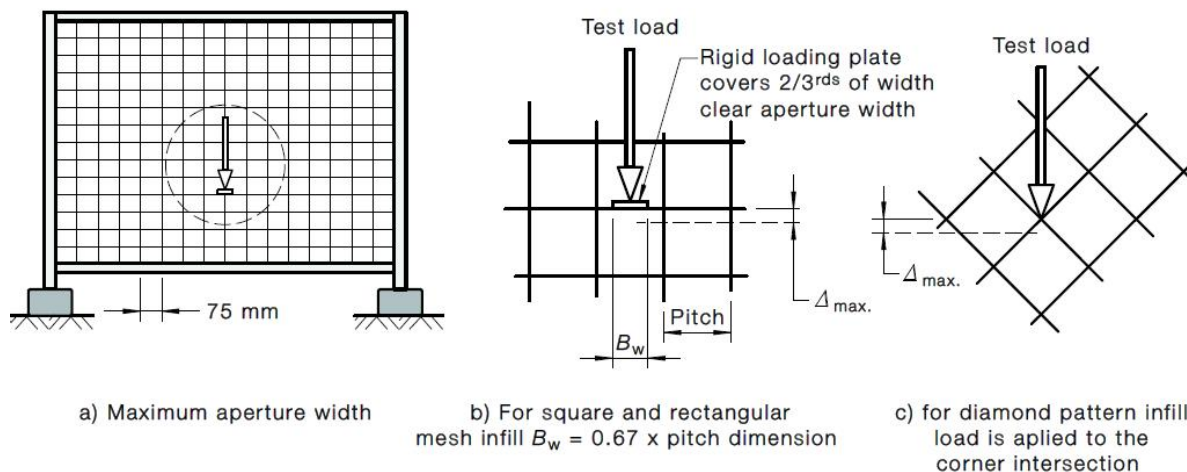


FIGURE 4.4 APERTURE TEST



Unless otherwise agreed in writing, this document is issued by the Company subject to its General Conditions of Service printed overleaf, available on request or accessible at <http://www.sgs.com/en/Terms-and-Conditions.aspx> and, for electronic format documents, subject to Terms and Conditions for Electronic Documents at <http://www.sgs.com/en/Terms-and-Conditions/Terms-e-Documents.aspx>. Attention is drawn to the limitation of liability, indemnification and jurisdiction issues defined therein. Any holder of this document is advised that information contained hereon reflects the Company's findings at the time of its intervention only and within the limits of Client's instructions, if any. The Company's sole responsibility is to its Client and this document does not exonerate parties to a transaction from exercising all their rights and obligations under the transaction documents. This document cannot be reproduced except in full, without prior written approval of the Company. Any unauthorized alteration, forgery or falsification of the content or appearance of this document is unlawful and offenders may be prosecuted to the fullest extent of the law. Unless otherwise stated the results shown in this test report refer only to the sample(s) tested and such sample(s) are retained for 30 days only.

Attention: To check the authenticity of testing / inspection report & certificate, please contact us at telephone: (86-755) 8307 1443, or email: CN.Doccheck@sgs.com

SGS-CSTC Inspection & Testing Services (Tianjin) Co., Ltd.
Materials Laboratory

Building C-13, No.80, Haiyun Avenue, TEDA, Tianjin, China 300457 t (86-22) 5999 5319 f (86-22) 5999 5335 www.sgs.com.cn
中国·天津·经济技术开发区海云街80号C-13厂房 邮编: 300457 t (86-22) 5999 5319 f (86-22) 5999 5335 e sgs.china@sgs.com

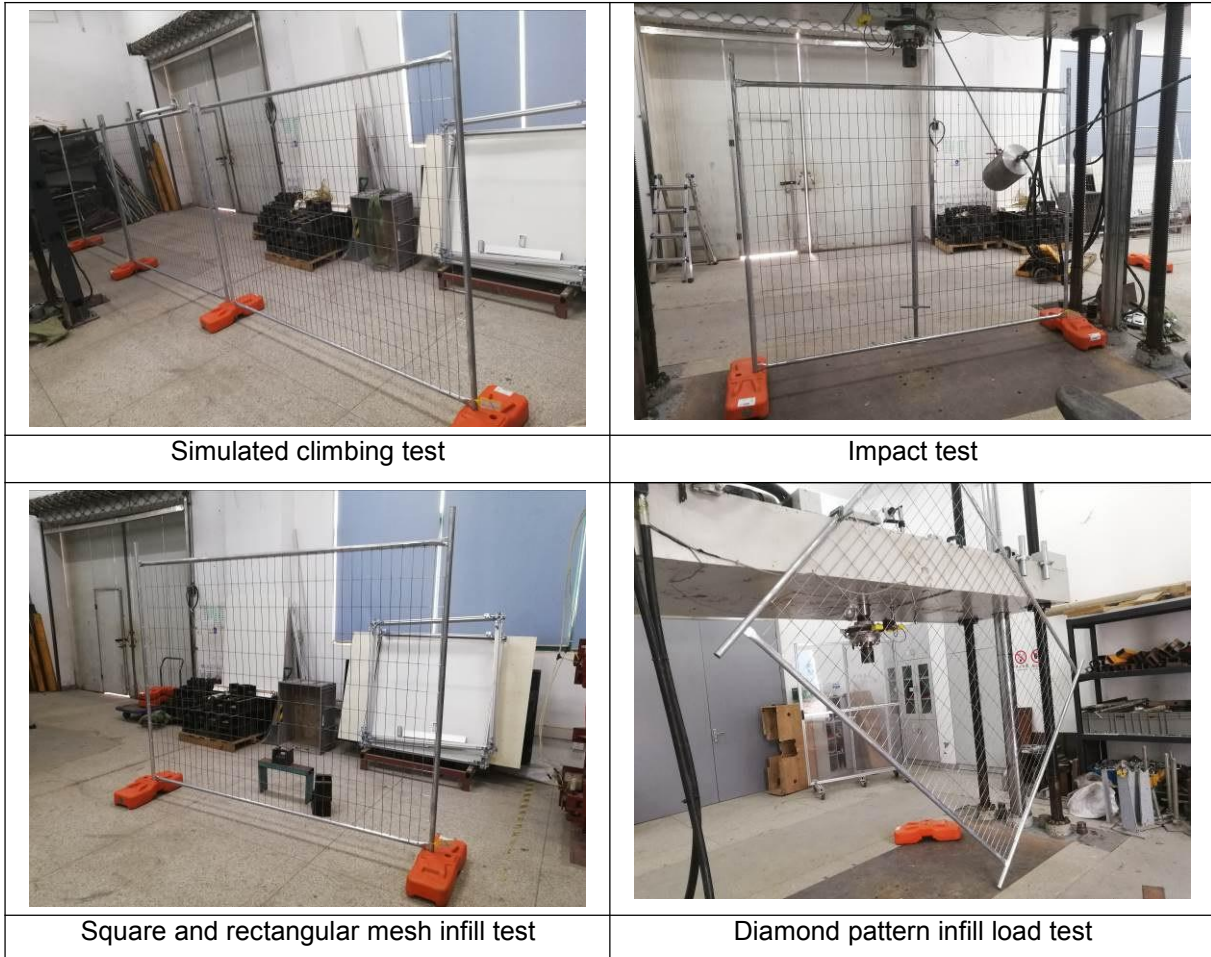
TEST REPORT

No. : TJIN1811016213SC

Date : Nov 28, 2018

Page: 7 of 8

Sample photos:



Note: The above test was subcontracted.

***** End of report*****



Unless otherwise agreed in writing, this document is issued by the Company subject to its General Conditions of Service printed overleaf, available on request or accessible at <http://www.sgs.com/en/Terms-and-Conditions.aspx> and, for electronic format documents, subject to Terms and Conditions for Electronic Documents at <http://www.sgs.com/en/Terms-and-Conditions/Terms-e-Documents.aspx>. Attention is drawn to the limitation of liability, indemnification and jurisdiction issues defined therein. Any holder of this document is advised that information contained hereon reflects the Company's findings at the time of its intervention only and within the limits of Client's instructions, if any. The Company's sole responsibility is to its Client and this document does not exonerate parties to a transaction from exercising all their rights and obligations under the transaction documents. This document cannot be reproduced except in full, without prior written approval of the Company. Any unauthorized alteration, forgery or falsification of the content or appearance of this document is unlawful and offenders may be prosecuted to the fullest extent of the law. Unless otherwise stated the results shown in this test report refer only to the sample(s) tested and such sample(s) are retained for 30 days only.

Attention: To check the authenticity of testing / inspection report & certificate, please contact us at telephone: (86-755) 8307 1443, or email: CN.Doccheck@sgs.com

Building C-13, No.80, Haiyun Avenue, TEDA, Tianjin, China 300457 t (86-22) 5999 5319 f (86-22) 5999 5335 www.sgs.com.cn
 中国·天津·经济技术开发区海云街80号C-13厂房 邮编: 300457 t (86-22) 5999 5319 f (86-22) 5999 5335 e sgs.china@sgs.com