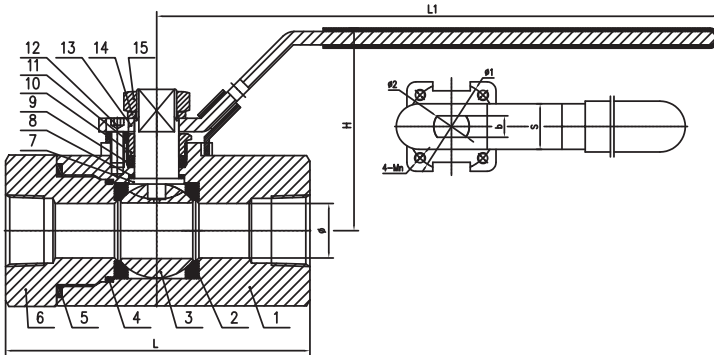


# PC-6000 Series

NACE & fire rated ball valves

**PC** PRESSURE COMPONENTS INC.  
PROVIDING QUALITY PRODUCTS SINCE 1985



## SPECIFICATIONS

- Blow-out proof stems
- Adjustable packing
- 316 Stainless Steel ball and stem
- Lock handle standard
- ISO-5211 Actuator mounting pad standard
- Peek seats
- 6000 PSI in sizes 1/4" — 1 1/2"
- Fire tested and certified to AP1607, 5th edition
- Conforms to NACE RO175/ISO 15156

NO.	PART NAME	MATERIAL
1	BODY	A351 CF8M   A216 WCB
2	SEAT	PEEK
3	BALL	A182 F316
4	P-RING	VITON
5	BODY SEAL	GRAPHITE
6	CAP	A351 CF8M   A216 WCB
7	STEM	A182 F316
8	THRUST WASHER	RPTFE
9	PACKING	RPTFE
10	GLAND	STAINLESS STEEL
11	PIN COVER	STAINLESS STEEL
12	PIN NUT	A193 B7
13	HANDLE	SS201
14	WASHER	STAINLESS STEEL
15	NUT	A2-70

PART NO.	SIZE	MATERIAL	THREAD	L1	H	L	MN	LBS.
PC6000-14-NPT-SS	1/4"	CF8M	1/4" NPT	5.91	2.72	4.37	M5	3.26
PC6000-14-NPT-S	1/4"	STEEL	1/4" NPT	5.91	2.72	4.37	M5	3.26
PC6000-38-NPT-SS	3/8"	CF8M	3/8" NPT	5.91	2.72	4.37	M5	3.26
PC6000-38-NPT-S	3/8"	STEEL	3/8" NPT	5.91	2.72	4.37	M5	3.26
PC6000-12-NPT-SS	1/2"	CF8M	1/2" NPT	5.91	2.72	4.37	M5	3.04
PC6000-12-NPT-S	1/2"	STEEL	1/2" NPT	5.91	2.72	4.37	M5	3.04
PC6000-34-NPT-SS	3/4"	CF8M	3/4" NPT	7.48	3.39	4.37	M5	4.35
PC6000-34-NPT-S	3/4"	STEEL	3/4" NPT	7.48	3.39	4.37	M5	4.35
PC6000-1-NPT-SS	1"	CF8M	1" NPT	9.84	3.74	5.39	M5	8.04
PC6000-1-NPT-S	1"	STEEL	1" NPT	9.84	3.74	5.39	M5	8.04
PC6000-114-NPT-SS	1-1/4"	CF8M	1-1/4" NPT	9.65	3.74	5.39	M6	14.24
PC6000-114-NPT-S	1-1/4"	STEEL	1-1/4" NPT	9.65	3.74	5.39	M6	14.24
PC6000-112-NPT-SS	1-1/2"	CF8M	1-1/2" NPT	14.57	5.31	6.30	M8	20.35
PC6000-112-NPT-S	1-1/2"	STEEL	1-1/2" NPT	14.57	5.31	6.30	M8	20.35

CALL FOR PRICING DETAILS

**800.322.9527**