

PC-100 Series Mini Needle Valve



PRESSURE COMPONENTS INC.

PROVIDING QUALITY PRODUCTS SINCE 1985



SPECIFICATIONS

- Made in the USA
- Compact valve size built for maximum durability and performance
- Available in zinc plated steel, brass, and 316 stainless steel
- FKM o-ring and PTFE back-up ring below the stem threads to protect from corrosion
- All stem threads are rolled for strength and ease of operation
- Patented body-to-bonnet, metal-to-metal seal is designed to increase pressure range

ORIFICE SIZE

0.172"

FLOW COEFFICIENT

Cv 0.42

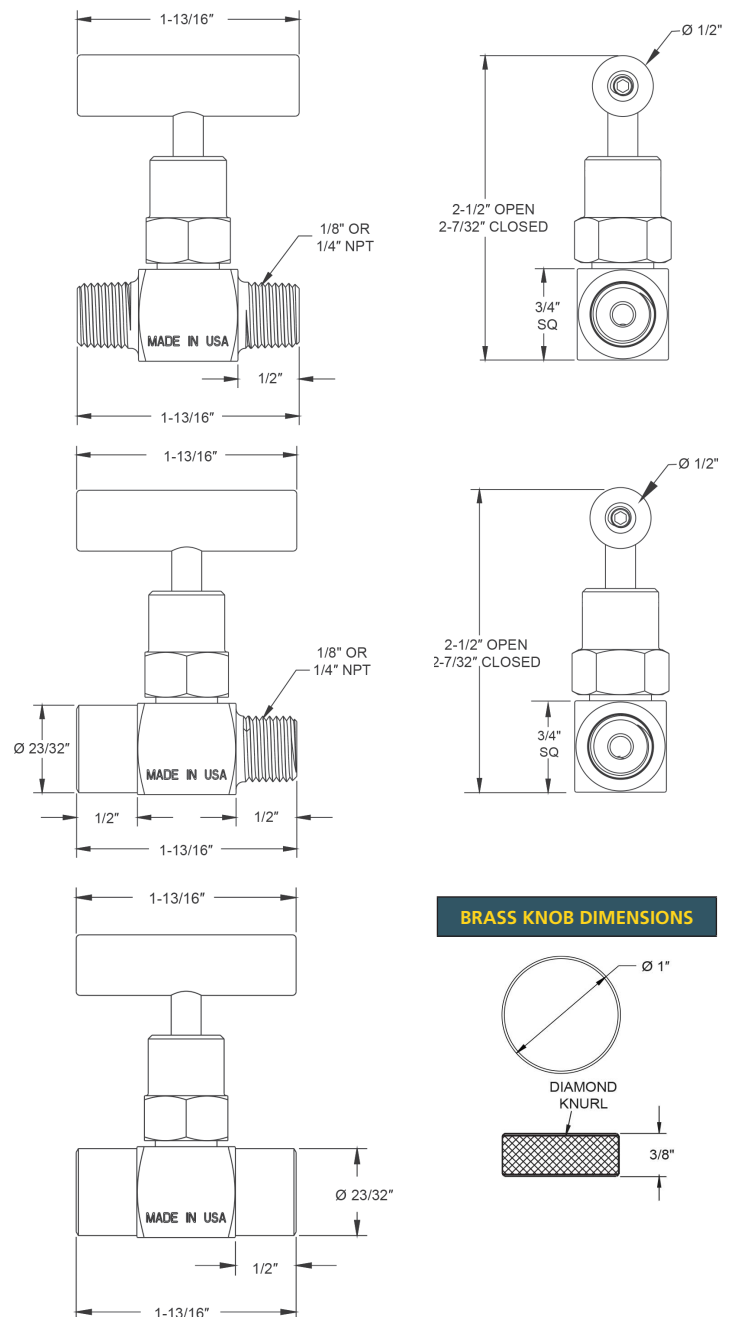
PRESSURE

Brass 6000 PSI

Steel and Stainless 10,000 PSI

PART NO.	SIZE	THREAD	MATERIAL
PC-101-FFB	1/8"	1/8" FxF	BRASS
PC-101-MFB	1/8"	1/8" MxF	BRASS
PC-101-MMB	1/8"	1/8" MxM	BRASS
PC-101-FFC	1/8"	1/8" FxF	STEEL
PC-101-MFC	1/8"	1/8" MxF	STEEL
PC-101-MMC	1/8"	1/8" MxM	STEEL
PC-101-FFS	1/8"	1/8" FxF	STAINLESS
PC-101-MFS	1/8"	1/8" MxF	STAINLESS
PC-101-MMS	1/8"	1/8" MxM	STAINLESS
PC-102-FFB	1/4"	1/4" FxF	BRASS
PC-102-MFB	1/4"	1/4" MxF	BRASS
PC-102-MMB	1/4"	1/4" MxM	BRASS
PC-102-FFC	1/4"	1/4" FxF	STEEL
PC-102-MFC	1/4"	1/4" MxF	STEEL
PC-102-MMC	1/4"	1/4" MxM	STEEL
PC-102-FFS	1/4"	1/4" FxF	STAINLESS
PC-102-MFS	1/4"	1/4" MxF	STAINLESS
PC-102-MMS	1/4"	1/4" MxM	STAINLESS

1/8" - 1/4" DIMENSIONS



BRASS KNOB DIMENSIONS

