

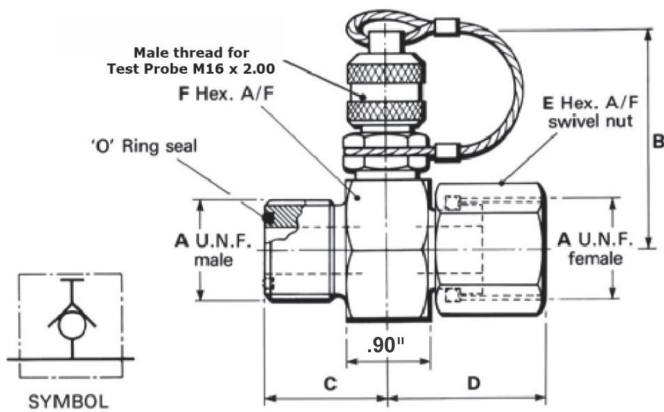


### HSP-1720 SERIES HOSE COUPLINGS

The HSP-1720 Series Hose Couplings are installed between the female swivelnut of the flexible hose and the fixed male connection. The integrated test point is used to obtain random pressure checks during servicing or fault finding. The test points can be disconnected and connected under full system pressure without fluid loss.

### SPECIFICATIONS

- 6000 PSI working pressure
- Can be used with direct or remote test probes
- For ORFS hose sizes
- Viton seals standard
- ORFS male x ORFS female



PART NO.	B	C	D	E	F	WEIGHT (LB)
HSP-1720-4M-V	2.04	.81	1.22	.81	1.18	.48
HSP-1720-6M-V	2.04	.87	1.26	.94	1.18	.56
HSP-1720-8M-V	2.04	.93	1.35	1.13	1.18	.65
HSP-1720-10M-V	2.09	1.04	1.49	1.18	1.25	.72
HSP-1720-12M-V	2.20	1.12	1.73	1.37	1.50	.96
HSP-1720-16M-V	2.30	1.12	1.73	1.67	1.67	1.28
HSP-1720-20M-V	2.48	1.12	1.73	1.87	2.05	1.59

CALL FOR PRICING DETAILS

**800.322.9527**