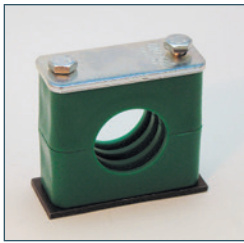


# Standard Series Clamps

## Ordering Example



**\*\*A3 - 21.3 - A**

**CLAMP SET MATERIAL**  
Polypropylene (Green) A

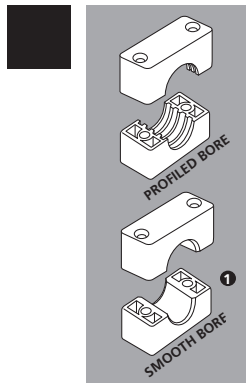
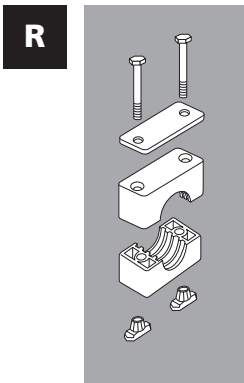
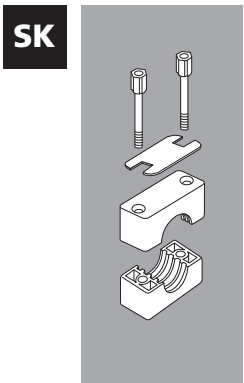
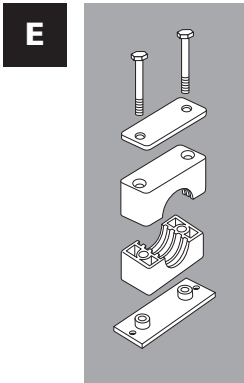
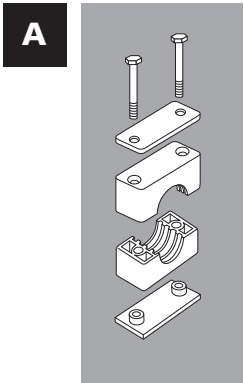
**GROUP SIZE**  
Refer to Chart on Page 65

**CLAMP SET ID**  
Refer to Chart on Page 65

DESCRIPTION	
<b>A</b>	Clamp with Weld Plate, Cover Plate and Bolts
<b>SK</b>	Clamp with Stacking Kit
<b>E</b>	Clamp with Elongated Weld Plate, Cover Plate and Bolts
<b>R</b>	Clamp with Rail Nuts, Cover Plate and Bolts
	Clamp Set Only

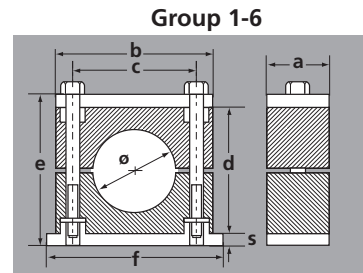
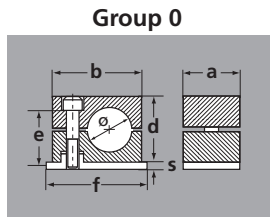
**CLAMP SET BORE**  
Pipe and tube clamp sizes have a profiled bore. For hose and special applications add "H" to the part number for a smooth bore.

**\*\*"S" PREFIX = STAINLESS STEEL HARDWARE**



# Standard Series

## Sizes and Dimensions



PCI GROUP	DIN GROUP	DIAMETER				COMPLETE ASSEMBLY PART #	DIMENSIONS							BAG QTY.	
		Ø mm	Inch	PIPE NOMINAL BORE	TUBE O.D.		A	B	C	D	F	S	E		
0	0	6	0.24			A0-06H-A									50
		8	0.31		5/16"	A0-08-A	30mm	28mm	-	27mm	32mm	3mm	33mm		
		10	0.39	1/8"		A0-10-A	1.18"	1.10"	-	1.06"	1.26"	0.12"	1.30"		
		12	0.47			A0-12H-A									
1	1	6	0.24			A1-06H-A								50	
		6.4	0.25		1/4"	A1-6.4-A*									
		8	0.31		5/16"	A1-08-A	30mm	34mm	20mm	27mm	42mm	3mm	33mm		
		9.5	0.37		3/8"	A1-9.5-A	1.18"	1.34"	0.79"	1.06"	1.65"	0.12"	1.30"		
		10	0.39	1/8"		A1-10-A									
2	2	12.7	0.50		1/2"	A2-12.7-A*								50	
		13.5	0.53	1/4"		A2-13.5-A*									
		14	0.55			A2-14H-A									
		15	0.59			A2-15H-A	30mm	40mm	26mm	33mm	48mm	3mm	39mm		
		16	0.63		5/8"	A2-16-A*	1.18"	1.57"	1.02"	1.30"	1.89"	0.12"	1.54"		
		17.2	0.67	3/8"		A2-17.2-A*									
		18	0.71			A2-18H-A									
3	3	19	0.75		3/4"	A3-19-A*								50	
		20	0.79			A3-20H-A									
		21.3	0.84	1/2"		A3-21.3-A*	30mm	45mm	33mm	35mm	55mm	3mm	41mm		
		22	0.87		7/8"	A3-22-A	1.18"	1.69"	1.30"	1.38"	2.17"	0.12"	1.61"		
		25	0.98			A3-25H-A									
		25.4	1.00		1"	A3-25.4-A*									
4	4	26.9	1.06	3/4"		A4-26.9-A*								25	
		28	1.10			A4-28H-A*	30mm	57mm	40mm	42mm	62mm	3mm	48mm		
		30	1.18			A4-30H-A	1.18"	2.24"	1.57"	1.65"	2.44"	0.12"	1.89"		
		32	1.25		1 1/4"	A4-32-A*									
5	5	32	1.25		1 1/4"	A5-32-A								25	
		33.7	1.33	1"		A5-33.7-A									
		35	1.38			A5-35H-A*									
		38	1.50		1 1/2"	A5-38-A*	30mm	68mm	52mm	58mm	74mm	3mm	64mm		
		40	1.57			A5-40H-A	1.18"	2.68"	2.05"	2.28"	2.91"	0.12"	2.52"		
		42	1.65			A5-42H-A									
6	6	44.5	1.75		1 3/4"	A6-44.5-A								25	
		48.3	1.90	1 1/2"		A6-48.3-A*	30mm	86mm	66mm	66mm	88mm	3mm	77mm		
		50.8	2.00		2"	A6-50.8-A	1.18"	3.39"	2.60"	2.60"	3.46"	0.12"	2.83"		

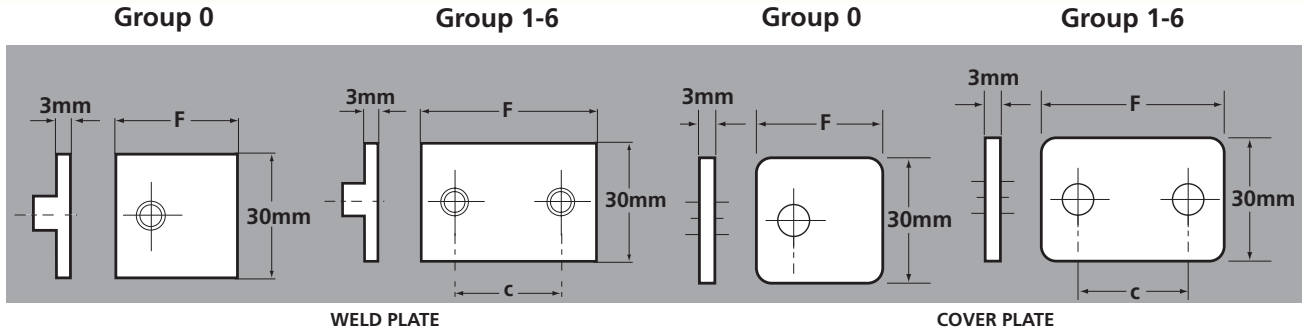
Add "S" prefix for stainless steel hardware when ordering a complete clamp assembly. To order a set of inserts only, omit the "A" from the end of the part number.

\*Available in black. Add "B" prefix to part number.

NOTE: "H" in part number designates a smooth bore insert.

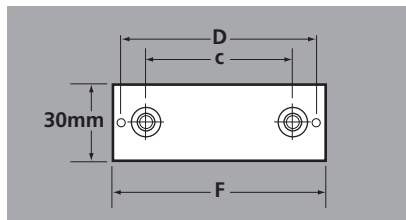
# Standard Series

## Components

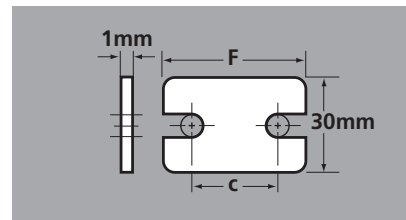


GROUP	WELD PLATE				COVER PLATE			
	PART NUMBER	DIMENSIONS		BAG QTY.	PART NUMBER	DIMENSIONS		BAG QTY.
		F	C			F	C	
0	WP0	32mm 1.28"	— —	50	CP0	28mm 1.10"	— —	50
1	WP1	42mm 1.65"	20mm 0.79"	50	CP1	37mm 1.46"	20mm 0.79"	50
2	WP2	48mm 1.89"	26mm 1.02"	50	CP2	43mm 1.69"	26mm 1.02"	50
3	WP3	55mm 2.17"	33mm 1.30"	50	CP3	50mm 1.97"	33mm 1.30"	50
4	WP4	62mm 2.44"	40mm 1.57"	25	CP4	57mm 2.24"	40mm 1.57"	25
5	WP5	74mm 2.91"	52mm 2.05"	25	CP5	69mm 2.72"	52mm 2.05"	25
6	WP6	88mm 3.46"	66mm 2.60"	25	CP6	83mm 3.27"	66mm 2.60"	25

Add "S" prefix for stainless steel hardware.



ELONGATED WELD PLATE

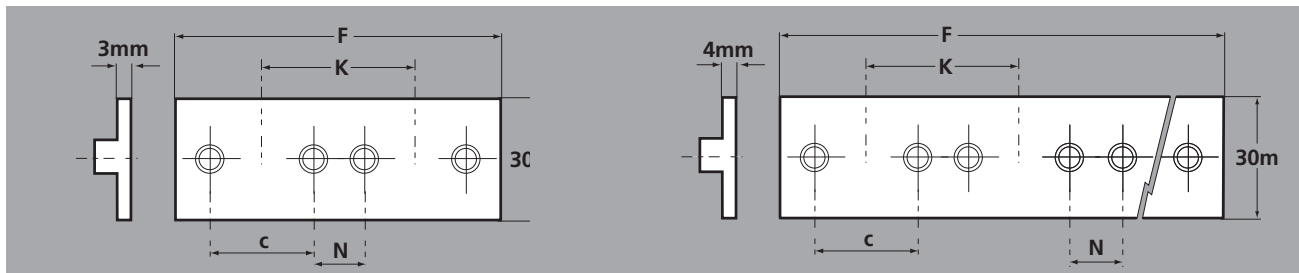


SAFETY PLATE

Add "S" prefix for stainless steel hardware.

# Standard Series

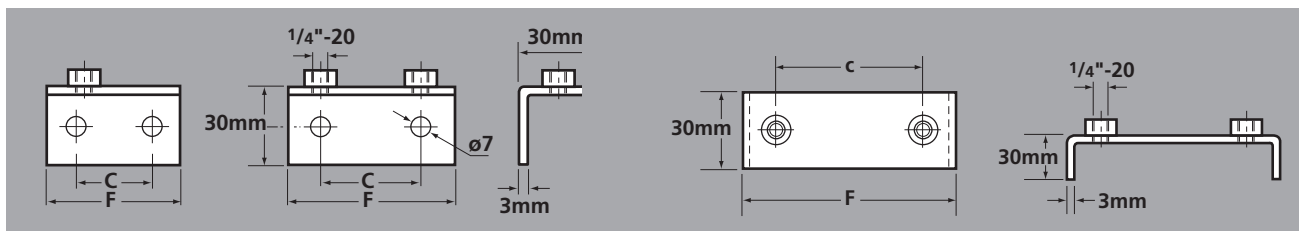
## Components



DOUBLE WELD PLATE

MULTIPLE WELD PLATE

GROUP	PART NUMBER	DIMENSIONS				PART NUMBER	DIMENSIONS				CLAMPS PER PLATE
		F	C	N	K		F	C	N	K	
0	DWP0	61mm 2.40"	—	—	30mm 1.18"	MWP0	309mm 12.2"	—	—	30mm 1.18"	10
1	DWP1	81mm 3.19"	20mm 0.79"	20mm 0.79"	40mm 1.57"	MWP1	368mm 14.5"	20mm 0.79"	20mm 0.79"	40mm 1.57"	10
2	DWP2	91mm 3.58"	26mm 1.02"	18mm 0.71"	44mm 1.73"	MWP2	463mm 18.25"	26mm 1.02"	18mm 0.71"	44mm 1.73"	10
3	DWP3	106mm 4.17"	33mm 1.30"	19mm 0.75"	52mm 2.05"	MWP3	546mm 21.5"	33mm 1.30"	19mm 0.75"	52mm 2.05"	10
4	DWP4	121mm 4.76"	40mm 1.57"	20mm 0.79"	60mm 2.36"	MWP4	304mm 12"	40mm 1.57"	20mm 0.79"	60mm 2.36"	5
5	DWP5	148mm 5.83"	52mm 2.05"	23mm .91"	75mm 2.95"	MWP5	377mm 14.85"	52mm 2.05"	23mm 0.91"	75mm 2.95"	5
6	DWP6	177mm 6.97"	66mm 2.60"	24mm 0.94"	90mm 3.54"	MWP6	445mm 17.5"	66mm 2.60"	24mm 0.94"	90mm 3.54"	5



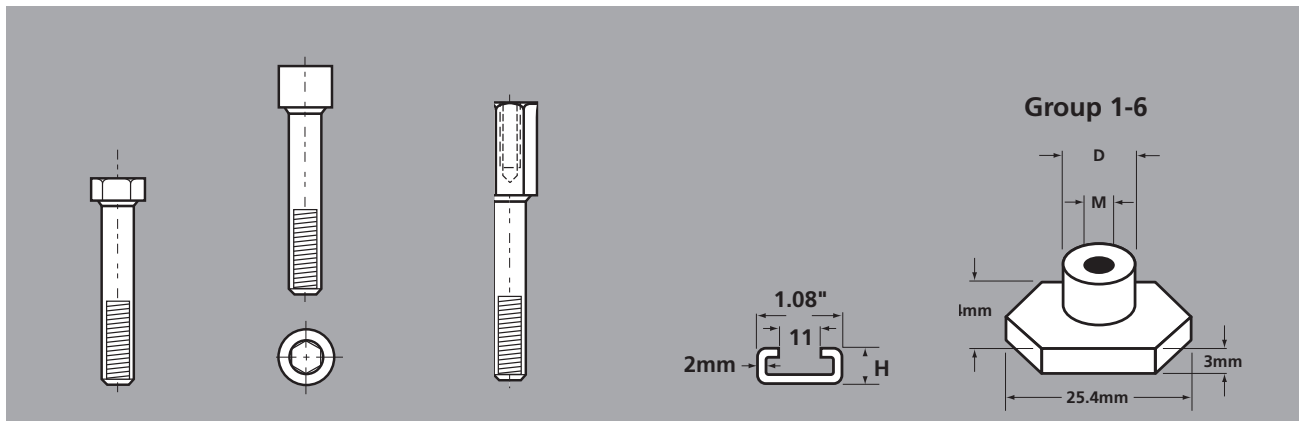
ANGLED WELD PLATE

BRIDGE WELD PLATE

GROUP	PART NUMBER	DIMENSIONS		PART NUMBER	DIMENSIONS	
		F	C		F	C
0	AWP0	32mm 1.26"	14mm 0.55"	—	—	—
1	AWP1	42mm 1.65"	20mm 0.79"	BWP1	48mm 1.89"	20mm 0.79"
2	AWP2	48mm 1.89"	26mm 1.02"	BWP2	54mm 2.13"	26mm 1.02"
3	AWP3	55mm 2.17"	33mm 1.30"	BWP3	62mm 2.44"	33mm 1.30"
4	AWP4	62mm 2.44"	40mm 1.57"	BWP4	71mm 2.80"	40mm 1.57"
5	AWP5	74mm 2.91"	52mm 2.05"	BWP5	85mm 3.35"	52mm 2.05"
6	AWP6	88mm 3.46"	66mm 2.60"	BWP6	98mm 3.86"	66mm 2.60"

# Standard Series

## Components



HEX HEAD  
BOLT

SOCKET HEAD  
CAP SCREW

STACKING  
BOLT

MOUNTING  
RAIL

RAIL  
NUT

GROUP	PART NUMBER SIZE	PART NUMBER SIZE	PART NUMBER			PART NUMBER	
			PART NUMBER SIZE	HEIGHT H	LENGTH L	PART NUMBER M	PART NUMBER D
0	HB0/1 1/4" - 20 x 1 1/4"	SC0/1 1/4" - 20 x 3/4"	SB0/1 1/4" - 20 x 3/4"	MR-11-2 11mm 0.43	2m 6.56		
1	HB0/1 1/4" - 20 x 1 1/4"	SC0/1 1/4" - 20 x 3/4"	SB0/1 1/4" - 20 x 3/4"	MR-11-2 11mm 0.43	2m 6.56		
2	HB2 1/4" - 20 x 1 3/8"	SC2 1/4" - 20 x 1"	SB2 1/4" - 20 x 1"	MR-11-2 11mm 0.43	1m 6.56		
3	HB3 1/4" - 20 x 1 1/2"	SC3 1/4" - 20 x 1 1/4"	SB3 1/4" - 20 x 1 1/4"	MR-11-2 11mm 0.43	2m 6.56	RNS/T1 1/4" - 20	12mm 0.47"
4	HB4 1/4" - 20 x 1 3/4"	SC4 1/4" - 20 x 1 3/8"	SB4 1/4" - 20 x 1 3/8"	MR-11-2 11mm 0.43	2m 6.56		
5	HB5 1/4" - 20 x 2 1/2"	SC5 1/4" - 20 x 2"	SB5 1/4" - 20 x 2"	MR-11-2 11mm 0.43	2m 6.56		
6	HB6 1/4" - 20 x 2 3/4"	SC6 1/4" - 20 x 2 3/8"	SB6 1/4" - 20 x 2 3/8"				

Add "S" prefix for stainless steel hardware.

# Twin Series Clamps

## Ordering Example



**\*\*AT4 - 26.9 - A**

**CLAMP SET MATERIAL**  
Polypropylene (Green) AT

**GROUP SIZE**  
Refer to Chart on Page 70

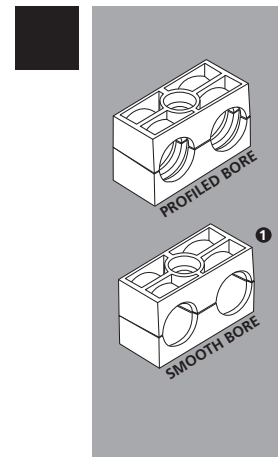
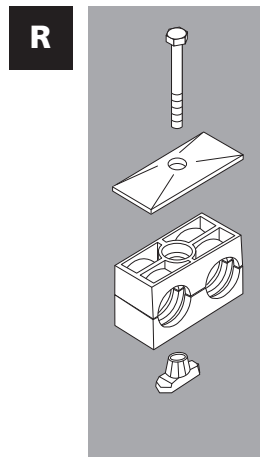
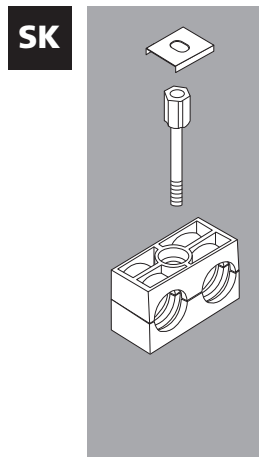
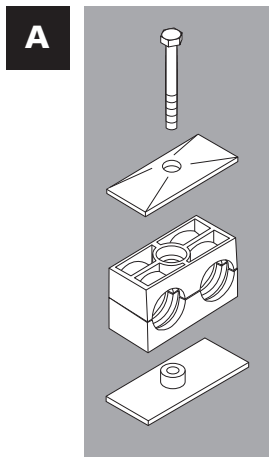
**CLAMP SET ID**  
Refer to Chart on Page 70

**DESCRIPTION**

<b>A</b>	Clamp with Weld Plate, Cover Plate and Bolts
<b>SK</b>	Clamp with Stacking Kit
<b>R</b>	Clamp with Rail Nuts, Cover Plate and Bolts
	Clamp Set Only

**CLAMP SET BORE**

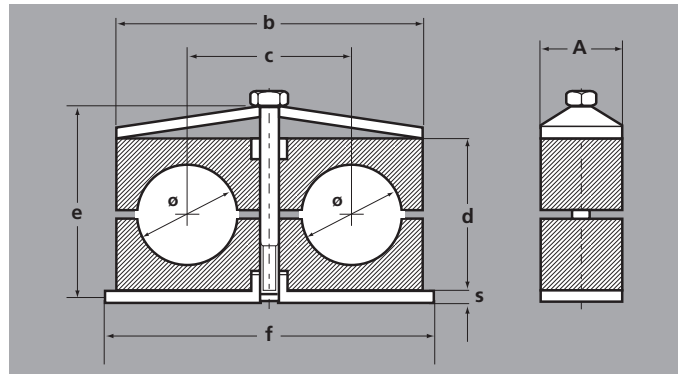
Pipe and tube clamp sizes have a profiled bore. For hose and special applications add "H" to the part number for a smooth bore.



❶ Not available in all sizes. See page 69 for availability.

# Twin Series

## Sizes and Dimensions



PCI	DIN	DIAMETER					DIMENSIONS							BAG/ QTY.
GROUP	GROUP	Ø	PIPE NOMINAL	TUBE O.D.	COMPLETE ASSEMBLY PART #	A	B	C	D	F	S	E	BAG QTY.	
		mm	Inch	BORE										
1	1	6	0.24										50	
		6.4	1.25		1/4"	AT1-6.4-A*								
		8	1.31		5/16"	AT1-8-A	30mm	34mm	20mm	25mm	37mm	3mm		35mm
		9.5	0.37		3/8"	AT1-9.5-A*	1.18"	1.34"	0.79"	0.98"	1.46"	0.12"		1.36"
		10	0.39	1/8"		AT1-10-A								
		12	0.47			AT1-12H-A								
2	2	12.7	0.50		1/2"	AT2-12.7-A*							50	
		13.5	0.53	1/4"		AT2-13.5-A*								
		14	0.55			AT2-14H-A								
		15	0.59			AT2-15H-A	30mm	53mm	29mm	26mm	55mm	5mm		36mm
		16	0.63		5/8"	AT2-16-A*	1.18"	2.09"	1.14"	1.02"	2.17"	0.20"		1.42"
		17.2	0.67	3/8"		AT2-17.2-A*								
3	3	18	0.71			AT2-18H-A							50	
		19	0.75		3/4"	AT3-19-A*								
		20	0.79			AT3-20H-A								
		21.3	0.84	1/2"		AT3-21.3-A*	30mm	67mm	36mm	37mm	70mm	5mm		47mm
		22	0.87		7/8"	AT3-22-A*	1.18"	2.64"	1.42"	1.46"	2.76"	0.20"		1.85"
		25	0.98			AT3-25H-A								
4	4	25.4	1.00		1"	AT3-25.4-A*							25	
		26.9	1.06	3/4"		AT4-26.9-A								
		28	1.10			AT4-28H-A*	30mm	82mm	45mm	42mm	85mm	5mm		52mm
5	5	30	1.18			AT4-30-A	1.18"	3.23"	1.77"	1.65"	3.35"	0.20"	2.05"	25
		32	1.25		1 1/4"	AT5-32-A*								
		33.7	1.33	1"		AT5-33.7-A*								
		35	1.38			AT5-35H-A								
		38	1.50		1 1/2"	AT5-38-A	30mm	106mm	56mm	54mm	110mm	5mm	64mm	
		40	1.57			AT5-40H-A	1.18"	4.17"	2.20"	2.13"	4.33"	0.20"	2.52"	
42	1.65			AT5-42H-A										
42.4	1.67	1 1/4"		AT5-42.4-A										

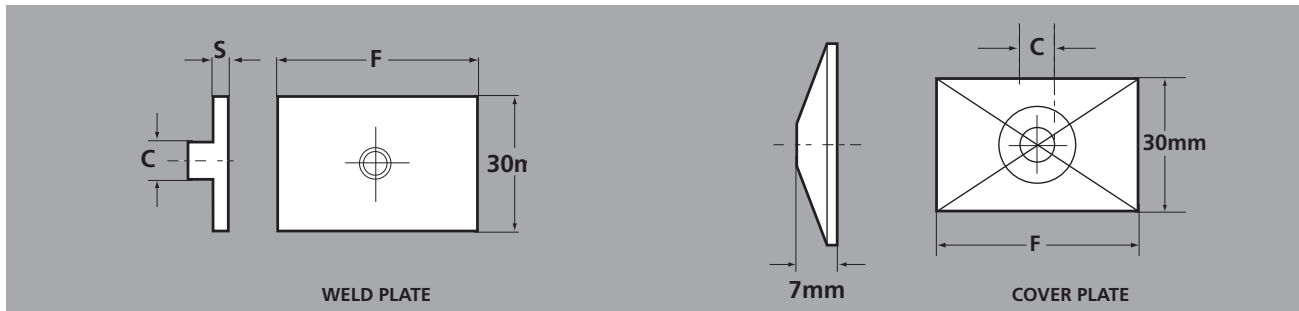
To order a set of inserts only, omit the "A" from the end of the part number.

\*Available in black. Add "B" prefix to part number.

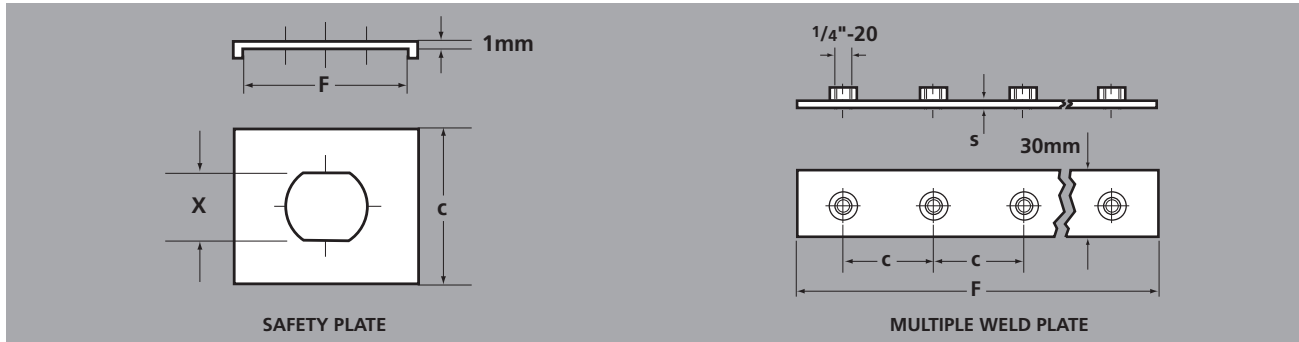
NOTE: "H" in part number designates a smooth bore insert.

# Twin Series

## Components



GROUP	DIMENSIONS				BAG QTY.	DIMENSIONS			BAG QTY.
	PART NUMBER	F	C	S		PART NUMBER	F	C	
1	WPT1	37mm 1.46"	12mm 0.79"	3mm 0.12"	50	CPT1	35mm 1.38"	7mm 0.28"	50
2	WPT2	55mm 2.17"	14mm 0.55"	5mm 0.20"	50	CPT2	52mm 2.05"	9mm 0.35"	50
3	WPT3	70mm 2.76"	14mm 0.55"	5mm 0.20"	50	CPT3	66mm 2.60"	9mm 0.35"	50
4	WPT4	85mm 3.35"	14mm 0.55"	5mm 0.20"	25	CPT4	81mm 3.19"	9mm 0.35"	25
5	WPT5	110mm 4.33"	14mm 0.55"	5mm 0.20"	25	CPT5	105mm 4.13"	9mm 0.35"	25

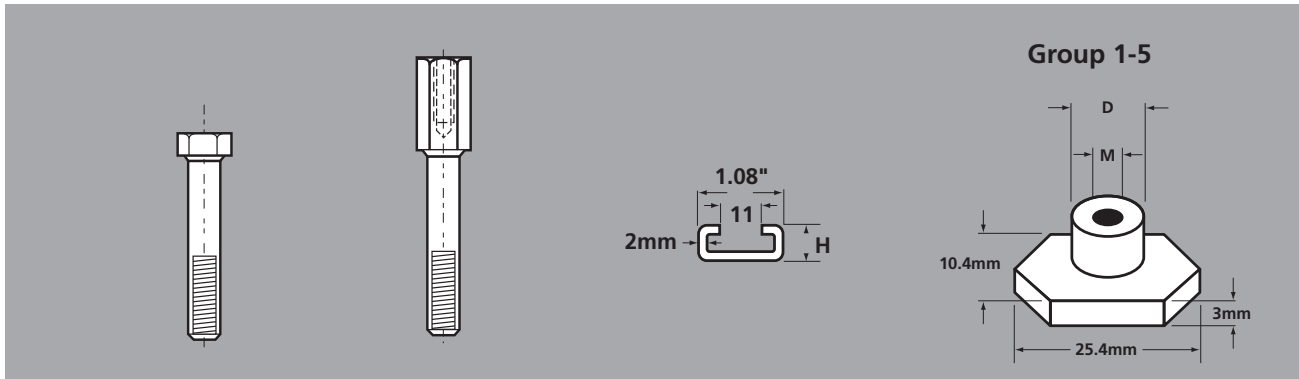


GROUP	DIMENSIONS				DIMENSIONS				CLAMPS PER PLATE
	PART NUMBER	F	C	X	PART NUMBER	F	C	S	
1	SPT1	30mm 1.18"	30mm 1.18"	11mm 0.43"	MWPT1	200mm 7.87"	40mm 1.57"	3mm 0.12"	5
2	SPT2	30mm 1.18"	30mm 1.18"	13mm 0.51"	MWPT2	290mm 11.42"	58mm 2.28"	5mm 0.20"	5
3	SPT3	30mm 1.18"	30mm 1.18"	13mm 0.51"	MWPT3	360mm 14.17"	72mm 2.83"	5mm 0.20"	5
4	SPT4	30mm 1.18"	30mm 1.18"	13mm 0.51"	MWPT4	450mm 17.72"	90mm 3.54"	5mm 0.20"	5
5	SPT5	30mm 1.18"	30mm 1.18"	13mm 0.51"	MWPT5	560mm 22.05"	112mm 4.41"	5mm 0.20"	5



# Twin Series

## Components



HEX HEAD  
BOLT

STACKING  
BOLT

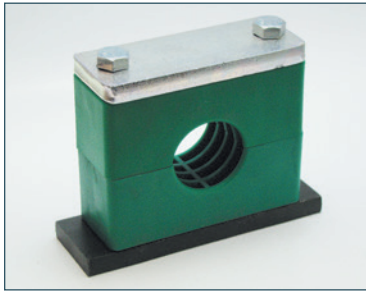
MOUNTING  
RAIL

RAIL  
NUT

GROUP	PART NUMBER					
	PART NUMBER SIZE	PART NUMBER SIZE	HEIGHT H	LENGTH L	PART NUMBER M	PART NUMBER D
1	HB2/T1 1/4" - 20 x 1 3/8"	SBT/1 1/4" - 20 x .79"	MR-11-2 11mm 0.43	2m 6.56	RNS/T1 1/4" - 20	12mm 0.47"
2	HBT/2 5/16" - 18 x 1 3/8"	SBT/2 5/16" - 18 x .79"	MR-11-2 11mm 0.43	2m 6.56	RNT2/5 5/16" - 18	14mm 0.55"
3	HBT/3 5/16" - 18 x 1 3/4"	SBT/3 5/16" - 18 x 1.14"	MR-11-2 11mm 0.43	2m 6.56		
4	HBT/4 5/16" - 18 x 2"	SBT/4 5/16" - 18 x 1.34"	MR-11-2 11mm 0.43	2m 6.56		
5	HBT/5 5/16" - 18 x 2 1/2"	SBT/5 5/16" - 18 x 1.85"	MR-11-2 11mm 0.43	2m 6.56		

# Heavy Duty Clamps

## Ordering Example



**\*\*AH3 - 33.7 - A**

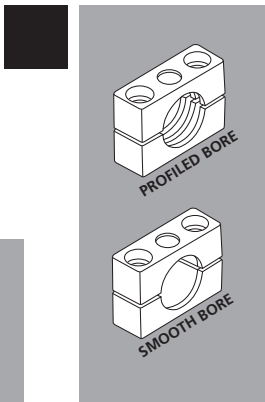
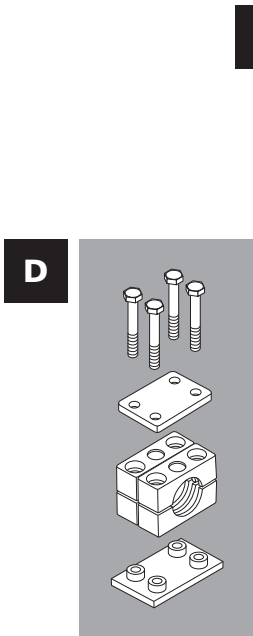
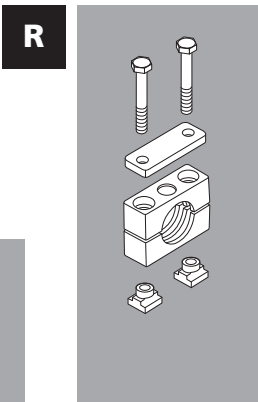
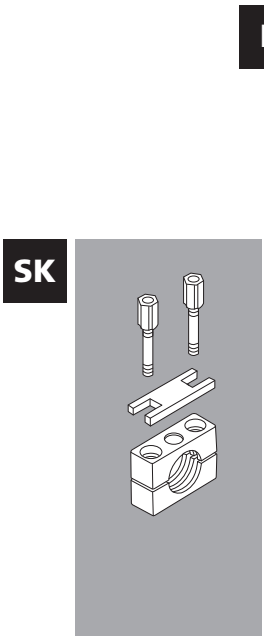
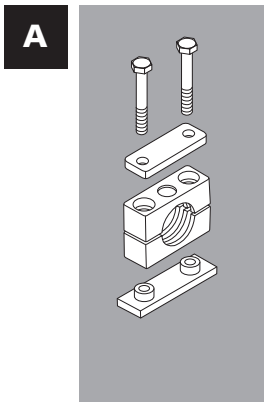
CLAMP SET MATERIAL	
Polypropylene (Green)	A
Aluminum	L

GROUP SIZE
Refer to Chart on Page 74-75

CLAMP SET ID
Refer to Chart on Page 74-75

DESCRIPTION	
<b>A</b>	Clamp with Weld Plate, Cover Plate and Bolts
<b>SK</b>	Clamp with Stacking Kit
<b>R</b>	Clamp with Rail Nuts, Cover Plate and Bolts
<b>D</b>	Double Clamp with Weld Plate, Cover Plate and Bolts
<b> </b>	Clamp Set Only

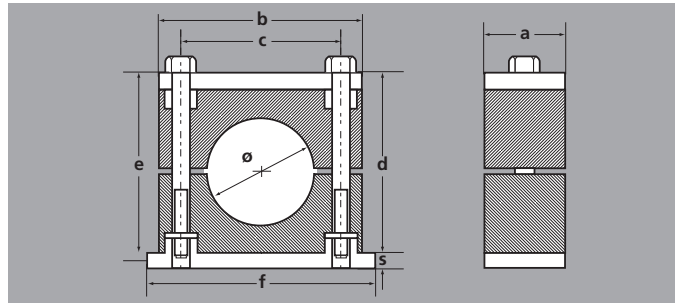
CLAMP SET BORE
Pipe and tube clamp sizes have a profiled bore. For hose and special applications add "H" to the part number for a smooth bore.



❶ Not available in all sizes. Contact PCI for availability.

# Heavy Duty

## Sizes and Dimensions – Group 1-4



PCI GROUP	DIN GROUP	DIAMETER				DIMENSIONS							BAG/QTY.	
		Ø	Inch	PIPE NOMINAL BORE	TUBE O.D.	COMPLETE ASSEMBLY PART #	A	B	C	D	F	S	E	BAG QTY.
1	1	6.4	0.25		1/4"	AH1-6.4-A								25
		8	0.31		5/16"	AH1-08-A								
		9.5	0.37		3/8"	AH1-9.5-A								
		10	0.39	1/8"		AH1-10-A								
		12	0.47			AH1-12H-A								
		12.7	0.50		1/2"	AH1-12.7-A	30mm	55mm	33mm	32mm	73mm	8mm	48mm	
		13.5	0.53	1/4"		AH1-13.5-A †	1.18"	2.17"	1.30"	1.26"	2.87"	0.31"	1.89"	
		14	0.55			AH1-14H-A †								
		15	0.59			AH1-15H-A †								
		16	0.63		5/8"	AH1-16-A †								
17.2	0.68	3/8"		AH1-17.2-A										
18	0.71			AH1-18H-A †										
2	2	19	0.75		3/4"	AH2-19-A							25	
		20	0.79			AH2-20H-A								
		21.3	0.84	1/2"		AH2-21.3-A								
		22	0.87		7/8"	AH2-22-A †	30mm	70mm	45mm	48mm	85mm	8mm		76mm
		25	0.98		1"	AH2-25H-A	1.18"	2.76"	1.77"	1.89"	3.35"	0.31"		2.52"
		25.4	1.00			AH2-25.4-A								
		26.9	1.06	3/4"		AH2-26.9-A								
		28	1.10			AH2-28-A †								
30	1.18			AH2-30-A †										
3	3	30	1.18		1 1/4"	AH3-30H-A †							25	
		32	1.25			AH3-32-A								
		33.7	1.33	1"		AH3-33.7-A	30mm	85mm	60mm	100mm	30mm	8mm		76mm
		35	1.38			AH3-35H-A †	1.18"	3.35"	2.36"	2.36"	3.94"	0.31"		2.99"
		38	1.50		1 1/2"	AH3-38-A								
		40	1.57			AH3-40H-A †								
42.4	1.67	1 1/4"		AH3-42.4-A										
4	4	38	1.50		1 1/2"	AH4-38-A							-	
		42	1.65			AH4-42H-A								
		42.4	1.67	1 1/4"		AH4-42.4-A								
		44.5	1.75		1 3/4"	AH4-44.5-A								
		48.3	1.90	1 1/2"		AH4-48.3-A								
		50	1.97			AH4-50H-A †	45mm	120mm	90mm	90mm	140mm	10mm		110mm
		50.8	2.0		2"	AH4-50.8-A	1.77"	4.72"	3.54"	3.54"	5.51"	0.39"		4.33"
		55	2.17			AH4-55H-A †								
		57	2.24		2 1/4"	AH4-57-A †								
		60.3	2.37	2"		AH4-60.3-A								
		63.5	2.50		2 1/2"	AH4-63.5-A								
65	2.56			AH4-65H-A †										
70	2.76		2 3/4"	AH4-70-A †										

To order a set of inserts only, omit the "A" from the end of the part number.

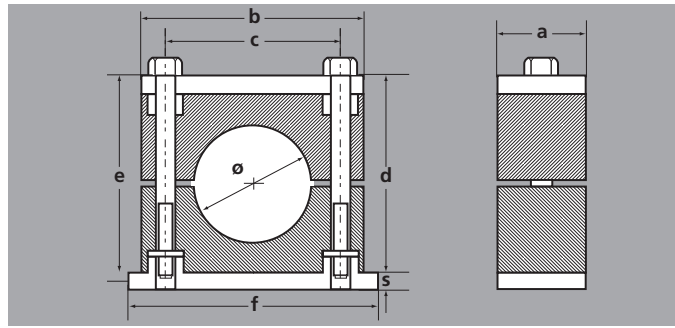
For Aluminum inserts, change prefix "A" to "L".

† Not available in Aluminum.

NOTE: "H" in part number designates a smooth bore insert.

# Heavy Duty

## Sizes and Dimensions – Group 5-8



PCI	DIN	DIAMETER					DIMENSIONS						
GROUP	GROUP	PIPE		NOMINAL BORE	TUBE O.D.	PART #	A	B	C	D	F	S	E
		$\phi$ mm	$\phi$ Inch										
5	5	65	2.56			AH5-65H-A	60mm 2.38"	152mm 5.98"	122mm 4.80"	120mm 4.72"	180mm 7.09"	10mm 0.39"	140mm 5.51"
		70	2.76		2 <sup>3</sup> / <sub>4</sub> "	AH5-70-A							
		75	2.95			AH5-75H-A							
		76.1	3.00	2 <sup>1</sup> / <sub>2</sub> "	3"	AH5-76.1-A							
		80	3.15			AH5-80H-A							
		82.5	3.25		3 <sup>1</sup> / <sub>4</sub> "	AH5-82.5-A							
88.9	3.50	3"	3 <sup>1</sup> / <sub>2</sub> "	AH5-88.9-A									
6	6	88.9	3.50	3"	3 <sup>1</sup> / <sub>2</sub> "	AH6-88.9-A	80mm 3.15"	205mm 8.07"	168mm 6.61"	170mm 6.69"	225mm 8.86"	15mm 0.59"	200mm 7.87"
		100	3.94		4"	AH6-100H-A							
		101.6	4.00	3 <sup>1</sup> / <sub>2</sub> "	4"	AH6-101.6-A							
		108	4.25		4 <sup>1</sup> / <sub>4</sub> "	AH6-108-A							
		114.3	4.50	4"	4 <sup>1</sup> / <sub>2</sub> "	AH6-114.3-A							
127	5.00	4 <sup>1</sup> / <sub>2</sub> "	5"	AH6-127-A									
7	7	133	5.25		5 <sup>1</sup> / <sub>4</sub> "	AH7-133-A	90mm 3.54"	250mm 9.84"	205mm 8.07"	200mm 7.87"	2.70mm 10.63"	15mm 0.59"	230mm 9.06"
		139.7	5.50	5"	5 <sup>1</sup> / <sub>2</sub> "	AH7-139.7-A							
		152.4	6.00	5 <sup>1</sup> / <sub>2</sub> "	6"	AH7-152.4-A							
168.3	6.63	6"		AH7-168.3-A									
8	8	168.3	6.63	6"		AH8-168.3-A	120mm 4.72"	320mm 12.60"	265mm 10.43"	270mm 10.63"	340mm 13.39"	25mm 0.98"	320mm 12.60"
		219.1	8.63	8"		AH8-219-A							

To order a set of inserts only, omit the "A" from the end of the part number.

For Aluminum inserts, change prefix "A" to "L".

Aluminum inserts available through Group 5 only.

† Not available in Aluminum.

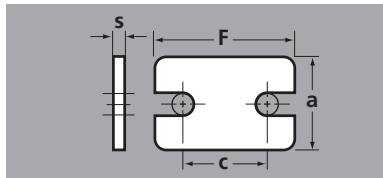
# Heavy Duty Components



WELD PLATE

COVER PLATE

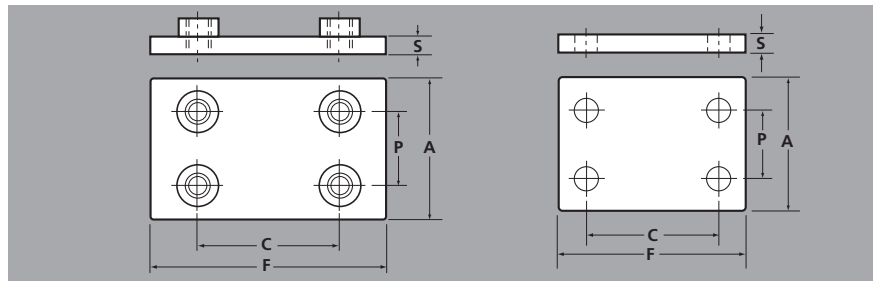
GROUP	PART NUMBER	DIMENSIONS				BAG QTY.	PART NUMBER	DIMENSIONS				BAG QTY.
		A	F	C	S			A	F	C	S	
1	WPH1	30mm 1.18"	75mm 2.95"	33mm 1.30"	8mm 0.31"	25	CPH1	30mm 1.18"	55mm 2.17"	33mm 1.30"	8mm 0.31"	25
2	WPH2	30mm 1.18"	87mm 3.43"	45mm 1.77"	8mm 0.31"	25	CPH2	30mm 1.18"	70mm 2.76"	45mm 1.77"	8mm 0.31"	25
3	WPH3	30mm 1.18"	102mm 4.02"	60mm 2.36"	8mm 0.31"	25	CPH3	30mm 1.18"	85mm 3.35"	60mm 2.36"	8mm 0.31"	25
4	WPH4	45mm 1.77"	140mm 5.51"	90mm 3.54"	10mm 0.39"	—	CPH4	45mm 1.77"	120mm 4.72"	90mm 3.54"	10mm 0.39"	—
5	WPH5	60mm 2.36"	180mm 7.09"	122mm 4.80"	10mm 0.39"	—	CPH5	60mm 2.36"	152mm 5.98"	122mm 4.80"	10mm 0.39"	—
6	WPH6	80mm 3.15"	225mm 8.86"	168mm 6.61"	15mm 0.59"	—	CPH6	80mm 3.15"	205mm 8.07"	168mm 6.61"	15mm 0.59"	—
7	WPH7	90mm 3.54"	270mm 10.63"	205mm 8.07"	15mm 0.59"	—	CPH7	90mm 3.54"	250mm 9.84"	205mm 8.07"	15mm 0.59"	—
8	WPH8	120mm 4.72"	340mm 13.39"	265mm 10.43"	25mm 0.98"	—	CPH8	120mm 4.72"	320mm 12.60"	265mm 10.43"	25mm 0.98"	—



SAFETY PLATE

GROUP	PART NUMBER	DIMENSIONS			
		A	F	C	S
1	SPH1	30mm 1.18"	55mm 2.17"	33mm 1.30"	8mm 0.31"
2	SPH2	30mm 1.18"	70mm 2.76"	45mm 1.77"	8mm 0.31"
3	SPH3	30mm 1.18"	85mm 3.35"	60mm 2.36"	8mm 0.31"
4	SPH4	45mm 1.77"	120mm 4.72"	90mm 3.54"	10mm 0.39"
5	SPH5	60mm 2.36"	152mm 5.98"	122mm 4.80"	10mm 0.39"

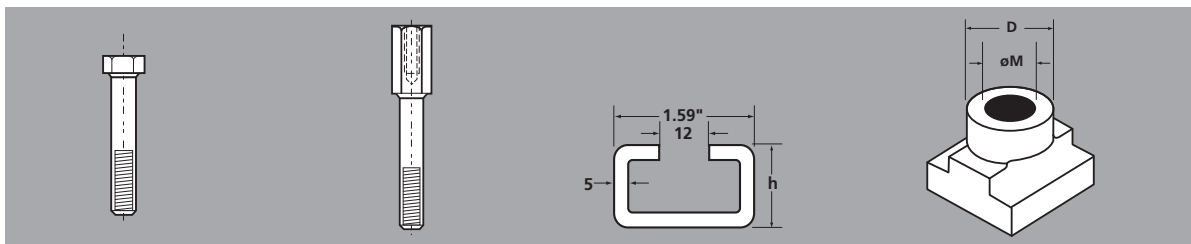
# Heavy Duty Components



DOUBLE WELD PLATE

DOUBLE COVER PLATE

GROUP	PART NUMBER	DIMENSIONS					PART NUMBER	DIMENSIONS				
		A	F	S	C	P		A	F	S	C	P
1	WPHD1	60mm 2.36"	74mm 2.91"	8mm 0.31"	33mm 1.30"	31mm 1.22"	CPHD1	60mm 2.36"	56mm 2.20"	8mm 0.31"	33mm 1.30"	31mm 1.22"
2	WPHD2	60mm 2.36"	85mm 3.39"	8mm 0.31"	45mm 1.77"	31mm 1.22"	CPHD2	60mm 2.36"	70mm 2.76"	8mm 0.31"	45mm 1.77"	31mm 1.22"
3	WPHD3	60mm 2.36"	100mm 3.94"	8mm 0.31"	60mm 2.36"	31mm 1.22"	CPHD3	60mm 2.36"	85mm 3.35"	8mm 0.31"	60mm 2.36"	31mm 1.22"
4	WPHD4	90mm 3.54"	140mm 5.51"	10mm 0.39"	90mm 3.54"	46mm 1.81"	CPHD4	90mm 3.54"	116mm 4.57"	10mm 0.39"	90mm 3.54"	46mm 1.81"
5	WPHD5	120mm 4.72"	160mm 7.09"	10mm 0.39"	122mm 4.80"	61mm 2.40"	CPHD5	120mm 4.72"	153mm 6.02"	10mm 0.39"	122mm 4.80"	61mm 2.40"



HEX HEAD BOLT

STACKING BOLT

MOUNTING RAIL

RAIL NUT

GROUP	PART NUMBER SIZE	PART NUMBER SIZE	PART NUMBER		PART NUMBER	
			HEIGHT H	LENGTH L	M	D
1	HBH1 3/8" - 16 x 1 3/4"	SBH1 3/8" - 16 x 1.02"	MRH-2 22mm    2m 0.87    6.56'		RNH1/3 3/8" - 16    18 0.71	
2	HBH2 3/8" - 16 x 2 1/4"	SBH2 3/8" - 16 x 1.61"			RNH1/3 3/8" - 16    18 0.71	
3	HBH3 3/8" - 16 x 2 3/4"	SBH3 3/8" - 16 x 2.05"			RNH1/3 3/8" - 16    18 0.71	
4	HBH4 7/16" - 14 x 4"	SBH4 7/16" - 14 x 3.27"			RNH4 7/16" - 14    20 0.79	
5	HBH5 5/8" - 11 x 5 1/4"	SBH5 5/8" - 11 x 4.33"				
6	HBH6 3/4" - 10 x 7 1/2"					
7	HBH7 7/8" - 9 x 8 1/2"					
8	HBH8 1 1/8" - 7 x 12"					